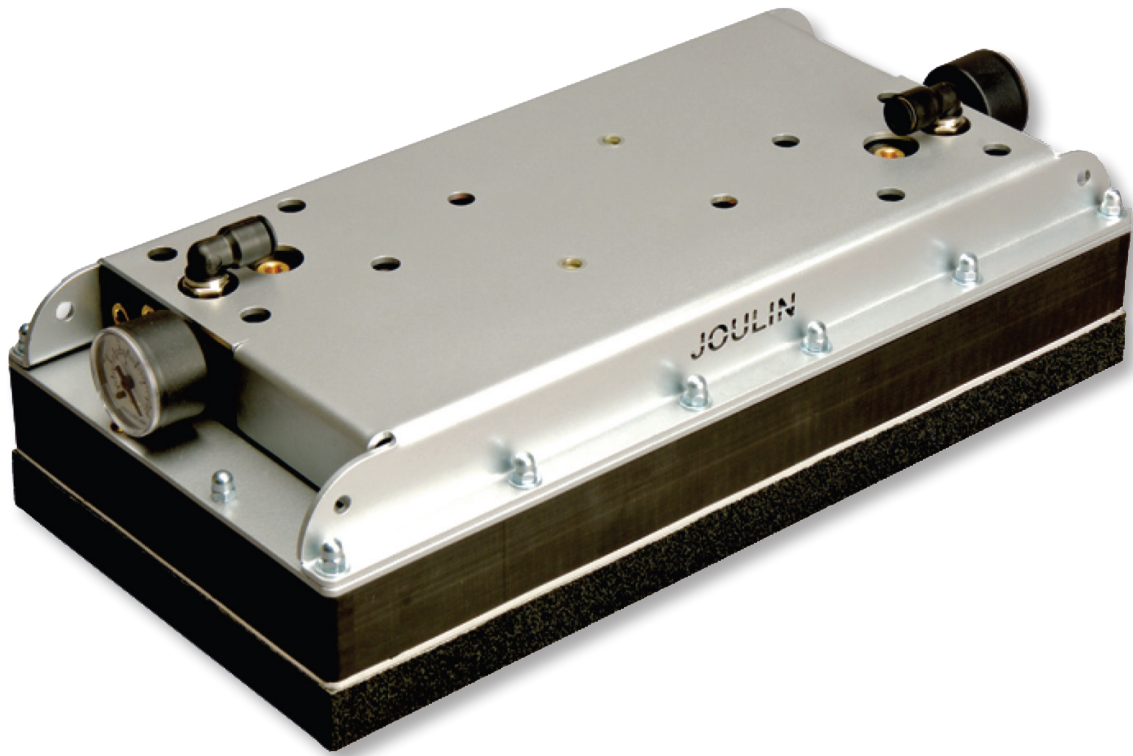


JOULIN



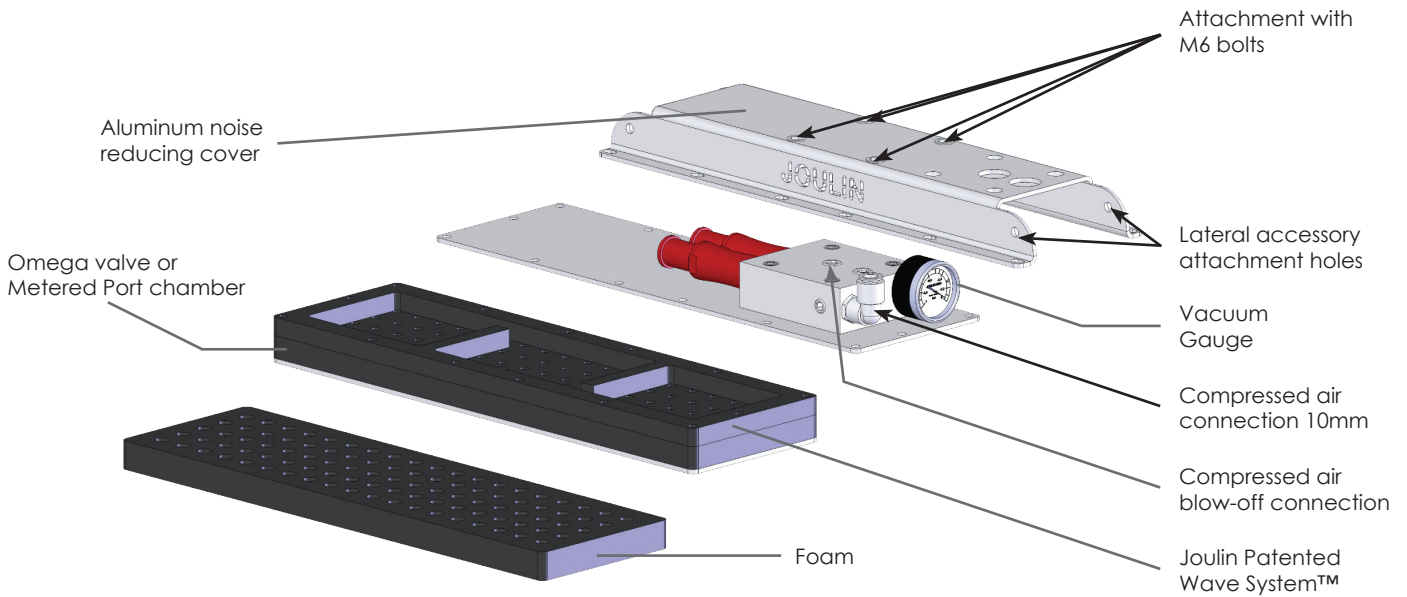
PLUG & PICK

Foam Vacuum Gripper

Designed,
engineered and
ready for installation

PLUG & PICK

Foam Vacuum Gripper



PP-

Range
of the gripper

VG

Technology :
- VG = Valve Gripper
- PG = Port Gripper

120x400

Dimensions :
- 120x230 mm
- 120x400 mm
- 200x400 mm
- 160x600 mm

P20

Pitch :
- P20 = 20 mm
- P40 = 40 mm

-3STX2

Integrated
Vacuum Source :
- 1ST
- 2ST
- 3ST

versatile

- Gripping power remains constant whether single part or entire layer
- Switch from products, to slip sheets, to pallets without adjustment
- Rugged and not affected by dust

compact

- Flush edge design for «place carton in box» applications
- Custom designs available for specific applications
- Units are self contained

easy to install

- Quick connect 10mm compressed air connections
- Retrofit existing cups or existing pump system
- Joulin patented Wave System saves up to 50% energy consumption

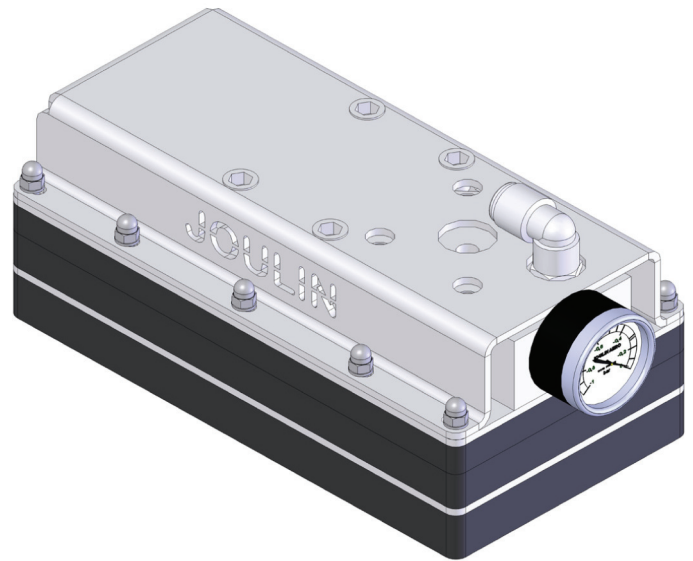
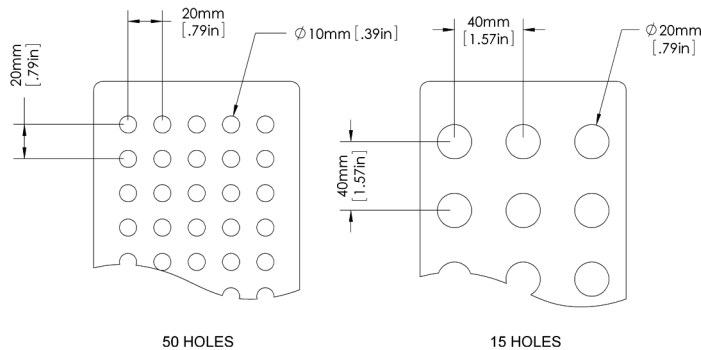
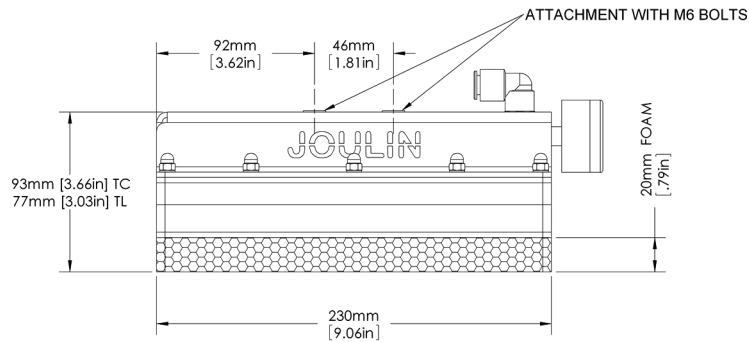
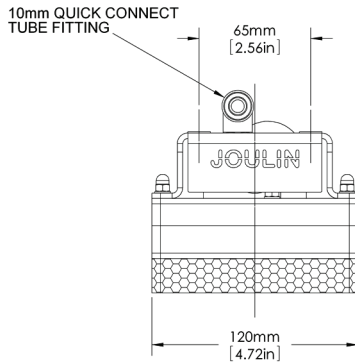
Click here or flash this
code to see the video !



PLUG & PICK

Foam Vacuum Gripper

PP120 x 230



Feed pressure: 6 bars - 87 psi		Holding Force N(Lbs)*		
		20% Vacuum	40% Vacuum	60% Vacuum
VG 120x230	Non-porous ...like steel	140(30.8)	270(59.4)	400(88)
	Semi-porous ...like wood	130(28.6)	210(46.2)	250(55)
	Porous ...like cardboard	115(25.3)	200(44)	230(50.6)
PG 120x230	Non-porous ...like steel	140(30.8)	270(59.4)	400(88)
	Semi-porous ...like wood	100(22)	150(33)	200(44)
	Porous ...like cardboard	70(15.5)	120(26.4)	170(37.4)

80% coverage is recommended for PG Grippers - *fully covered, safety factor 1.5 already applied

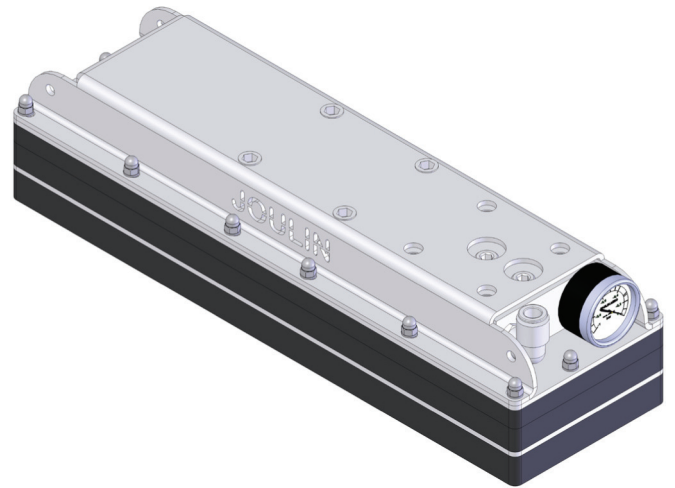
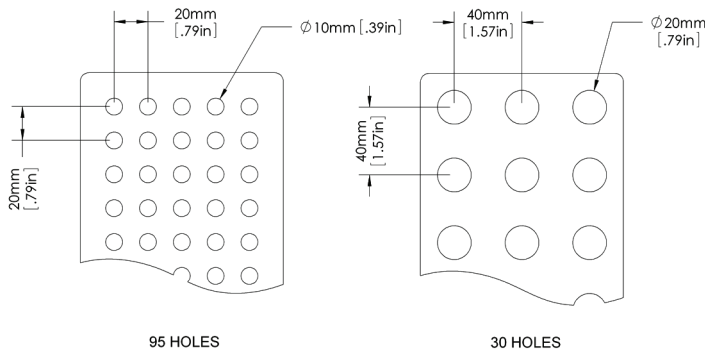
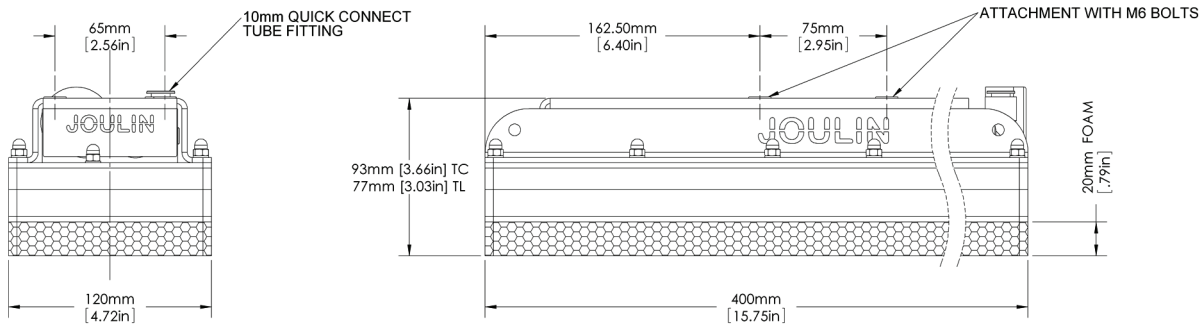
	Technical Data			Replaceable Parts	
	Air Consumption NI/sec(scfm)	Max Flow NI/ sec(scfm)	Weight Kg(Lbs)	Foam Pad	Vacuum Generator
PP-PG120x230P20-2ST	1.75(3.71)	3.3(6.99)	1.55(3.42)	PPF120.230-20	PPMS
PP-VG120x230P20-3ST	1.75(3.71)	6(12.7)	2.3(5.07)	PPF120.230-20	PPMS
PP-PG120x230P40-2ST	1.75(3.71)	3.3(6.99)	1.55(3.42)	PPF120.230-40	PPMS
PP-VG120x230P40-3ST	1.75(3.71)	6(12.7)	2.3(5.07)	PPF120.230-40	PPMS

specifications are subject to change

PLUG & PICK

Foam Vacuum Gripper

PP120 x 400



Feed pressure: 6 bars - 87 psi		Holding Force N(Lbs)*		
		20% Vacuum	40% Vacuum	60% Vacuum
VG 120x400	Non-porous ...like steel	290(63.8)	570(125.4)	850(187)
	Semi-porous ...like wood	250(55)	340(74.8)	470(103.4)
	Porous ...like cardboard	190(41.8)	290(63.8)	400(88)
PG 120x400	Non-porous ...like steel	290(63.8)	560(123.2)	830(182.6)
	Semi-porous ...like wood	200(44)	340(74.8)	470(103.4)
	Porous ...like cardboard	180(39.6)	290(63.8)	400(88)

80% coverage is recommended for PG Grippers - *fully covered, safety factor 1.5 already applied

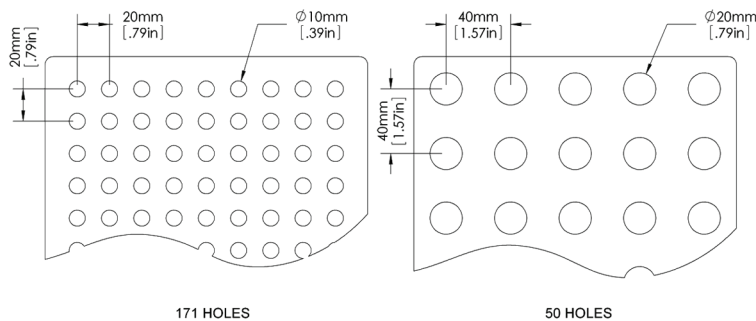
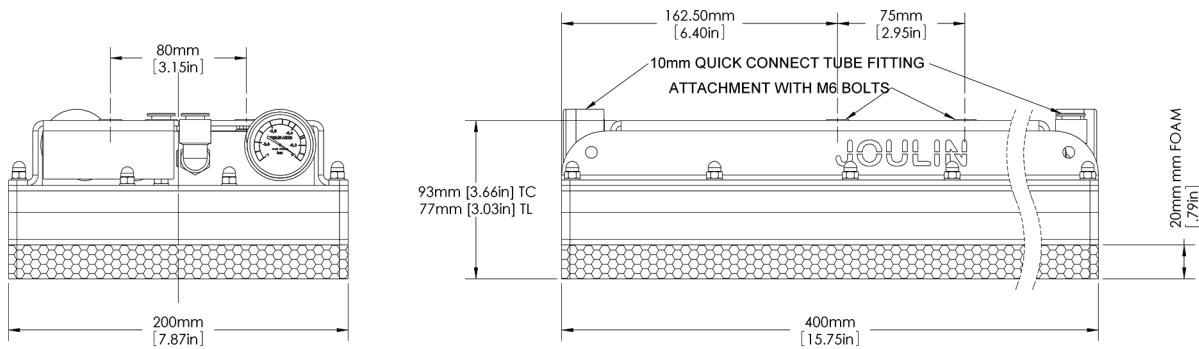
				Replaceable Parts	
	Air Consumption NI/sec(scfm)	Max Flow NI/sec(scfm)	Weight Kg(Lbs)	Foam Pad	Vacuum Generator
PP-PG120x400P20-2STX2	3.5(7.42)	6.6(13.98)	2.5(5.15)	PPF120.400-20	PPMD
PP-VG120x400P20-3STX2	3.5(7.42)	12(25.4)	3.55(7.83)	PPF120.400-20	PPMD
PP-PG120x400P40-2ST	1.75(3.71)	3.3(6.99)	2.5(5.15)	PPF120.400-40	PPMD
PP-VG120x400P40-3ST	1.75(3.71)	6(12.7)	3.55(7.83)	PPF120.400-40	PPMD

specifications are subject to change

PLUG&PICK

Foam Vacuum Gripper

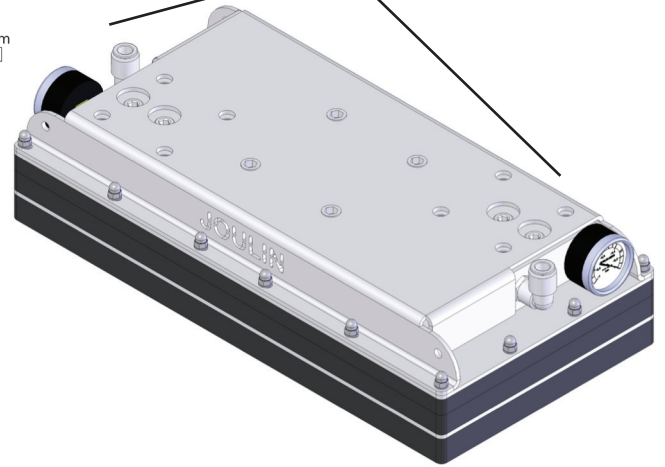
PP200 x 400



171 HOLES

50 HOLES

2 independent zones on Gripper are standard (by request on P40)



Feed pressure: 6 bars - 87 psi		Holding Force N(Lbs)*		
		20% Vacuum	40% Vacuum	60% Vacuum
VG 200x400	Non-porous ...like steel	640(140.8)	1170(257.4)	1420(312.4)
	Semi-porous ...like wood	360(79.2)	500(110)	650(143)
	Porous ...like cardboard	300(66)	490(107.8)	650(143)
PG 200x400	Non-porous ...like steel	630(138.6)	1170(257.4)	1420(312.4)
	Semi-porous ...like wood	360(79.2)	500(110)	650(143)
	Porous ...like cardboard	300(66)	433(94.6)	470(103.4)

80% coverage is recommended for PG Grippers - *fully covered, safety factor 1.5 already applied

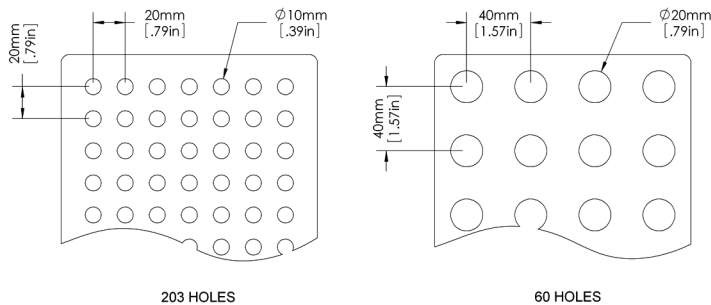
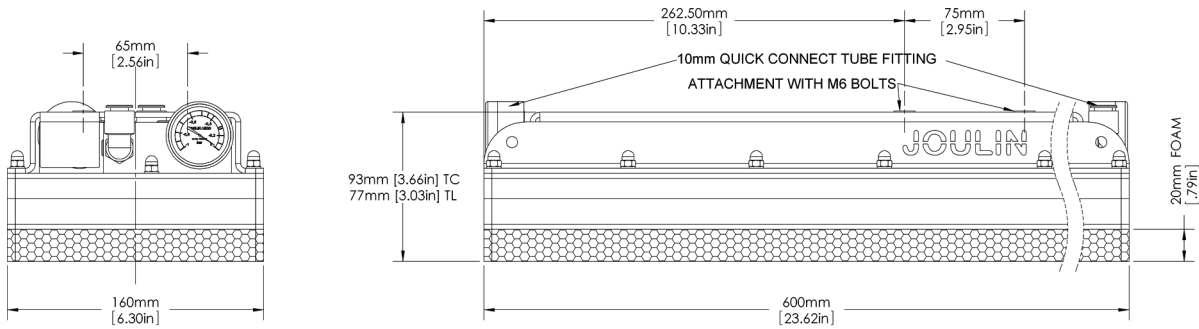
	Technical Data			Replaceable Parts	
	Air Consumption NI/sec(scfm)	Max Flow NI/sec(scfm)	Weight Kg(Lbs)	Foam Pad	Vacuum Generator
PP-PG200x400P20-2STX4	7(14.84)	13.2(27.96)	3.9(8.6)	PPF200.400-20	2 x PPMD
PP-VG200x400P20-3STX4	7(14.84)	24(50.8)	6.15(13.56)	PPF200.400-20	2 x PPMD
PP-PG200x400P40-2STX2	3.5(7.42)	6.6(13.98)	3.9(8.6)	PPF200.400-40	2 x PPMD
PP-VG200x400P40-3STX2	3.5(7.42)	12(25.4)	6.15(13.56)	PPF200.400-40	2 x PPMD

specifications are subject to change

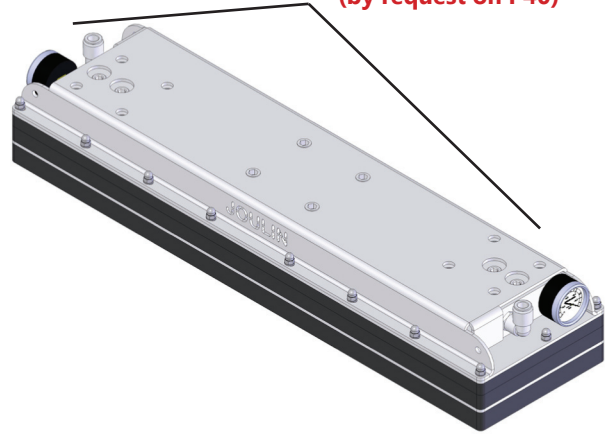
PLUG & PICK

Foam Vacuum Gripper

PP160 x 600



2 independent zones on Gripper are standard (by request on P40)



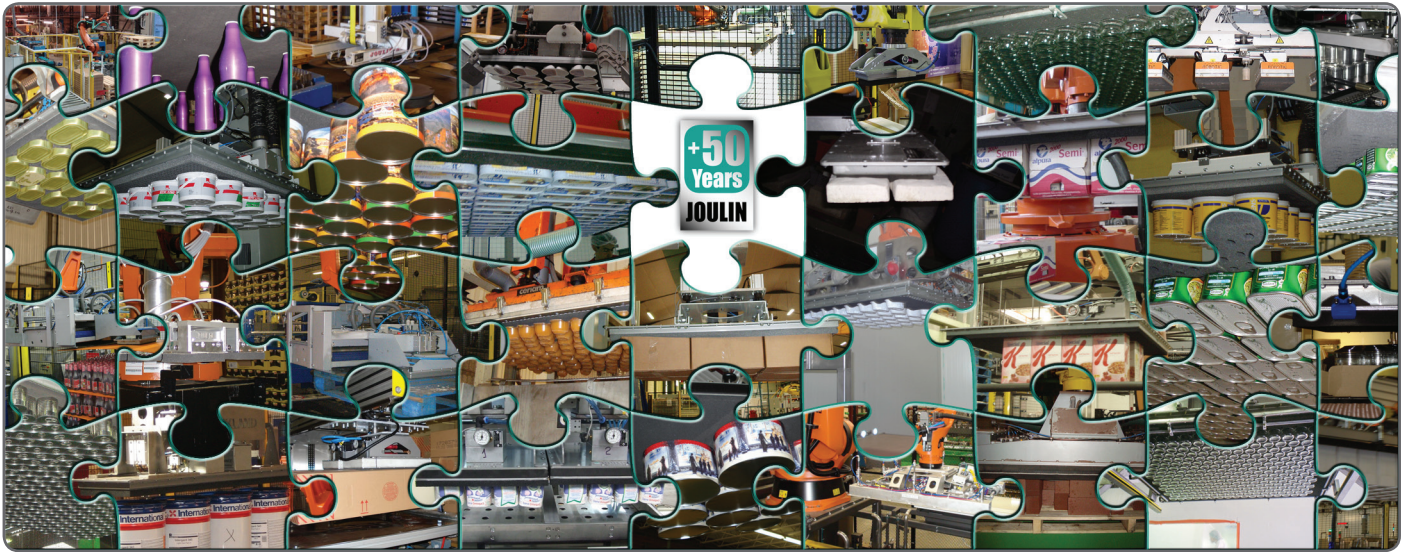
Feed pressure: 6 bars - 87 psi		Holding Force N(Lbs)*		
		20% Vacuum	40% Vacuum	60% Vacuum
VG 160x600	Non-porous ...like steel	768(168.9)	1404(308.8)	1704(374.8)
	Semi-porous ...like wood	432(95)	600(132)	780(171.6)
	Porous ...like cardboard	360(79)	588(129)	780(171.6)
PG 160x600	Non-porous ...like steel	756(166.3)	1404(308.8)	1704(374.8)
	Semi-porous ...like wood	518(114)	600(132)	780(171.6)
	Porous ...like cardboard	432(95)	516(113.5)	564(124)

80% coverage is recommended for PG Grippers - *fully covered, safety factor 1.5 already applied

	Technical Data			Replaceable Parts	
	Air Consumption NI/sec(scfm)	Max Flow NI/sec(scfm)	Weight Kg(Lbs)	Foam Pad	Vacuum Generator
PP-PG160x600P20-2STX4	7(14.84)	13.2(27.96)	4.6(10.14)	PPF160.600-20	2 x PPMD
PP-VG160x600P20-3STX4	7(14.84)	24(50.8)	7.2(15.87)	PPF160.600-20	2 x PPMD
PP-PG160x600P40-2STX2	3.5(7.42)	6.6(13.98)	4.6(10.4)	PPF160.600-40	2 x PPMD
PP-VG160x600P40-3STX2	3.5(7.42)	12(25.4)	7.2(15.87)	PPF160.600-40	2 x PPMD

specifications are subject to change

JOULIN



USA :

2551 Hwy 70 West
HICKORY - NC 28602
Phone : +(001)828 327 2290
Fax : +(001)828 327 8678



<http://www.joulin.com>

Europe :

17 avenue des Grenots
F-91150 ETAMPES
Phone : +33 (0)1 69 92 16 16
Fax : +33 (0)1 64 94 21 35

E-mail : grippers@joulin.com

Have a problem handling your products ?

Team Joulin has 50 years of Research and Development resulting in better solutions, more options, and vacuum systems offering greater flexibility than ever before.