



> SG4 EXTENDED
Safety Light Curtains



ORIGINAL INSTRUCTIONS (ref. 2006/42/EC)

Patent. See www.patents.datalogic.com for patent list.
This product is covered by one or more of the following patents: IT 1,363,719

Datalogic S.r.l.
Via S. Vitalino 13
40012 Calderara di Reno
Italy

“SG4 EXTENDED” Instruction Manual

Ed.: 05/2019

© 2012 – 2019 Datalogic S.p.A. and/or its affiliates ♦ ALL RIGHTS RESERVED. ♦ Without limiting the rights under copyright, no part of this documentation may be reproduced, stored in or introduced into a retrieval system, or transmitted in any form or by any means, or for any purpose, without the express written permission of Datalogic S.p.A. and/or its affiliates.

Datalogic and the Datalogic logo are registered trademarks of Datalogic S.p.A. in many countries, including the U.S.A. and the E.U. All other trademarks and brands are property of their respective owners.

Datalogic shall not be liable for technical or editorial errors or omissions contained herein, nor for incidental or consequential damages resulting from the use of this material.

821006101 Rev. B



Product Service

CERTIFICATE

No. Z10 17 02 70800 046

Holder of Certificate: **Datalogic S.r.l.**
Via San Vitalino 13
40012 Lippo di Calderara di Reno
ITALY

Factory(ies): 70800, 96012

Certification Mark:



Product: **Electro-Sensitive Protective Equipment
Safety Light Curtain (Type 4)**

Model(s): **SG4-Series
For nomenclature see attachment**

Parameters:

Supply Voltage:	24 ±20% Vdc
Resolution:	14mm, 30mm or 2, 3, 4 beams
Protection class:	IP65

Tested according to:

- 2006/42/EC
- EN 61496-1:2013
- EN 61496-2:2013
- EN ISO 13849-1:2015 (Cat.4, PL e)
- EN 61508-1:2010 (SIL3)
- EN 61508-2:2010 (SIL3)
- EN 61508-3:2010 (SIL3)
- EN 61508-4:2010 (SIL3)
- EN 62061:2005/A2:2015 (SIL CL3)

The product was tested on a voluntary basis and complies with the essential requirements. The certification mark shown above can be affixed on the product. It is not permitted to alter the certification mark in any way. In addition the certification holder must not transfer the certificate to third parties. See also notes overleaf.

Test report no.: DM82444T

Valid until: 2021-07-04

Date, 2017-02-13

Page 1 of 4

(Christian Dirmeier)



CE COMPLIANCE

CE marking states the compliance of the product with essential requirements listed in the applicable European directive. Since the directives and applicable standards are subject to continuous updates, and since Datalogic promptly adopts these updates, therefore the EU declaration of conformity is a living document. The EU declaration of conformity is available for competent authorities and customers through Datalogic commercial reference contacts. Since April 20th, 2016 the main European directives applicable to Datalogic products require inclusion of an adequate analysis and assessment of the risk(s). This evaluation was carried out in relation to the applicable points of the standards listed in the Declaration of Conformity. Datalogic products are mainly designed for integration purposes into more complex systems. For this reason it is under the responsibility of the system integrator to do a new risk assessment regarding the final installation.

Warning

This is a Class A product. In a domestic environment this product may cause radio interference in which case the user may be required to take adequate measures.

- 1 GENERAL VIEW 8**
- 2 GENERAL INFORMATION 9**
 - 2.1 General description 9
 - 2.2 Package contents 10
 - 2.3 Models..... 10
 - 2.4 New features compared to SG4 BASE 11
 - 2.5 New features compared to SE 11
 - 2.6 How to choose the device 12
 - 2.6.1 Detection capability 12
 - 2.6.2 Height of the detection zone 13
 - 2.6.3 Minimum installation distance 14
 - 2.7 Typical applications..... 16
 - 2.8 Safety information 18
- 3 INSTALLATION..... 19**
 - 3.1 Precautions to be observed for the choice and installation 19
 - 3.2 General information on device positioning..... 20
 - 3.2.1 Minimum distance from reflecting surfaces 21
 - 3.2.2 Distance between homologous devices 23
 - 3.2.3 Emitter and Receiver Orientation..... 25
 - 3.2.4 Use of deviating mirrors..... 25
 - 3.2.5 Controls after first installation..... 26
- 4 MECHANICAL MOUNTING 27**
- 5 ELECTRICAL CONNECTIONS..... 29**
 - 5.1 Pin-out and configuration pin connection..... 29
 - 5.2 Notes on connections 33
- 6 ALIGNMENT PROCEDURE..... 36**
- 7 FUNCTIONS SETTING 38**
 - 7.1 Basic configuration mode..... 38
 - 7.2 Advanced configuration mode (SG4-P) 39
 - 7.2.1 Password protection and not up to date devices versions compatibility 40
 - 7.2.2 Reset to Factory configuration 41
 - 7.3 Function List..... 42
 - 7.3.1 Programmable Models 42
 - 7.3.2 SG4-N Models 44
- 8 FUNCTIONS 45**
 - 8.1 Restart mode..... 45
 - 8.2 Test 48
 - 8.3 Reset..... 49
 - 8.4 EDM 50
 - 8.5 EDM selection 52
 - 8.6 range Reduction..... 53
 - 8.7 Muting 54
 - 8.7.1 Muting function disable (SG4-P Models) 55
 - 8.7.2 Muting signaling devices..... 55
 - 8.7.3 Typical Muting application and safety light curtain connection 55
 - 8.7.4 Muting direction..... 56
 - 8.7.5 Muting timeout 59
 - 8.7.6 Muting filter..... 60
 - 8.7.7 Partial Muting 61
 - 8.8 Override FOR SG4-P..... 63
 - 8.8.1 Override status..... 64
 - 8.8.2 Override mode 64
 - 8.8.3 Override timeout 66

- 8.8.4 Override restart 67
- 8.9 Override for SG4-N 69
- 8.9.1 Override function activation 69
- 8.9.2 Override at start-up 69
- 8.9.3 Override at run time 70
- 8.9.4 Blanking (SG4-P) 71
- 8.9.5 Fixed Blanking 72
- 8.9.6 Fixed Blanking with increased tolerance 73
- 8.9.7 Floating Blanking with total surveillance 73
- 8.9.8 Floating Blanking with partial surveillance 73
- 8.9.9 Reduced resolution 74
- 8.9.10 Dimension 74
- 8.9.11 Position 74
- 8.9.12 Tolerance 75
- 8.10 Cascade (SG4-P MODELS) 80
- 8.11 Coding (SG4-P models)..... 82

- 9 USER INTERFACE AND DIAGNOSTICS 84**
- 9.1 User interface..... 84
- 9.1.1 RX Side Diagnostic 84
- 9.1.2 TX Side Diagnostic 87

- 10 PERIODICAL CHECKS..... 88**
- 10.1 General information and useful data..... 89
- 10.2 Warranty..... 89

- 11 DEVICE MAINTENANCE 90**
- 11.1 Product disposal 90

- 12 TECHNICAL DATA 91**

- 13 AVAILABLE MODELS 92**
- 13.1 SG4-P models range and response times..... 92
- 13.2 SG4-P models cascade response times..... 92
- 13.3 SG4-N models range and response times..... 94

- 14 OVERALL DIMENSIONS 95**

- 15 INCLUDED ACCESSORIES 96**
- 15.1 Terminator cap..... 97
- 15.2 Tool for BCM configuration 97

- 16 ACCESSORIES 98**
- 16.1 (ST-KSTD) Metal angled fixing bracket 98
- 16.2 (ST-KPxMP) Plastic angled fixing bracket 100
- 16.3 (ST-KCASCADE-SG EXTENDED) Cascade bracket..... 102
- 16.4 (SG-PSB) Protective stands 103
- 16.5 (SG-P) Plate kit for protective stands 104
- 16.6 (SE-S) Columns and floor stands 105
- 16.7 (SG-DM) Deviating mirrors 106
- 16.8 (TP) Test piece 108
- 16.9 Connection cables 109
- 16.10 Pigtail cables 110
- 16.11 Cascade cables 113
- 16.12 (SG-LP) Laser pointer 114
- 16.13 (SG4-DONGLE) Ethernet adaptor 115
- 16.14 Ethernet cable SG4-DONGLE - PC (CAB-ETH-XXX) 115
- 16.15 (SE-SR2) Safety relay..... 116
- 16.16 (CSME-03VU24-Y14) EDM relay box..... 116
- 16.17 (LMS) Muting lamps..... 117
- 16.18 Single Muting arms 118

16.19	Double Muting arms.....	120
16.20	(SG-M) Muting arms with external sensors	122
16.21	(SG-M-CB) Connection box	125
17	GLOSSARY	127

1 GENERAL VIEW



Fig 1 - Safety light curtain

2 GENERAL INFORMATION

2.1 GENERAL DESCRIPTION

The safety light curtains are optoelectronic multibeam devices that are used to protect working areas that, in presence of machines, robots, and automatic systems in general, can become dangerous for operators that can get in touch, even accidentally, with moving parts.

The light curtains are intrinsic safety systems used as accident-prevention protection devices and are manufactured in accordance with the international Standards in force for safety, in particular:

NORM	DESCRIPTION
EN 61496-1: 2013	Safety of machinery: electrosensitive protective equipment. Part 1: General prescriptions and tests.
EN 61496-2: 2013	Safety of machinery: electrosensitive protective equipment - Particular requirements for equipment using active optoelectronic protective devices.
EN ISO 13849-1: 2015	Safety of machinery. Safety-related parts of control systems. Part 1: General principles for design
EN 61508-1: 2010	Functional safety of electrical/electronic/programmable electronic safety-related systems. Part 1: General requirements
EN 61508-2: 2010	Functional safety of electrical/electronic/programmable electronic safety-related systems. Part 2: Requirements for electrical/electronic/programmable electronic safety-related systems
EN 61508-3: 2010	Functional safety of electrical/electronic/programmable electronic safety-related systems. Part 3: Software requirements
EN 61508-4: 2010	Functional safety of electrical/electronic/programmable electronic safety-related systems. Part 4: Definitions and abbreviations
EN 62061:2005/A2: 2015	Safety of machinery. Functional safety of electrical/ electronic/programmable electronic safety-related control systems.

The device, consisting of one emitter and one receiver contained inside aluminum profiles, generates infrared beams that detect any opaque object positioned within the light curtain detection field.

The emitter and the receiver are equipped with the command and control functions.

The connections are made through one or more connectors as specified in **ELECTRICAL CONNECTIONS page 29**.

The synchronization between the emitter and the receiver takes place optically, i.e. no electrical connection between the two units is required.

The microprocessor guarantees the check and the management of the beams that are sent and received through the units: the microprocessor – through some LEDs – informs the operator about the general conditions of the safety light curtain (see **USER INTERFACE AND DIAGNOSTICS page 84**).

The receiver is the main controller for all functions. It monitors all safety actions in case of failure and performs general functions as well.

During installation, the user interface facilitates the alignment of both units (see **ALIGNMENT PROCEDURE page 36**).

As soon as an object, or a limb or the operator’s body accidentally interrupts one or some of the infrared beams sent by the emitter, the receiver immediately opens the OSSD outputs or trigger Safety State over connected safety Fieldbus.

Some parts or sections of this manual containing important information for the user or installing operator are preceded by a note:



Notes and detailed descriptions about particular characteristics of the safety devices in order to better explain their functioning. Special instructions regarding the installation process.

This manual contains all the information necessary for the selection and operation of the safety devices.

However, specialized knowledge not included in this technical description is required for the planning and implementation of a safety light curtain on a power-driven machine.

As the required knowledge may not be completely included in this manual, we suggest the customer to contact Datalogic Technical Service for any necessary information relative to the functioning of the light curtains and the safety rules that regulate the correct installation (see **USER INTERFACE AND DIAGNOSTICS page 84**).

GUI

The paragraphs containing descriptions reported on the GUI too are written with this character.

2.2 PACKAGE CONTENTS

Package contains the following objects:

- Receiver (RX)
- Emitter (TX)
- 8-pole Rx pigtail cable
- 5-pole Tx pigtail cable
- Quick Guide of safety light curtain
- Periodical checklist and maintenance schedule
- 4 angled fixing brackets and specific fasteners
- 2 additional angled fixing brackets for models with heights included between 1200 and 1800 mm

2.3 MODELS

SG4 EXTENDED comes with two models:

- A programmable model, with advanced functionalities, like muting and blanking, which can be configured by pushbuttons or by Graphical User Interface.
Its code is SG4-xx-xxx-OO-P and it will be referred to in this manual as SG4-P.
- A non-programmable model, only configurable by pushbuttons, with simplified muting function.
Its code is SG4-xx-xxx-OO-N and it will be referred to in this manual as SG4-N.

2.4 NEW FEATURES COMPARED TO SG4 BASE

With respect to SG4 BASE series, safety light curtains of SG4 EXTENDED series have some new important features:

- Higher operating distance
- New profile compatible with SE accessories
- Advanced alignment function for receiver and transmitter units
- Muting function
- Partial Muting
- Selectable Muting timeout
- Override
- Override status
- Blanking function (fixed and floating)
- Teach-in
- Tolerance
- Reduction Range
- Zero dead zone (the controlled height of the light curtain is equivalent to the light curtain's height)
- Basic configuration with push-buttons (BCM)
- Advanced configuration with Grafic User Interface (ACM)
- Ethernet connection to pc
- Coding
- Cascade
- Possibility of copying the setting of one light curtain and saving it into other light curtains
- Possibility of having a log report about the configuration

2.5 NEW FEATURES COMPARED TO SE

SG4-N features a single 8P connector Pin-to-Pin compatible with SE-...-PP-W models. SG4-N models are only configurable via Basic Configuration Mode.

SG4-N series includes a list of modified functions:

OVERRIDE	Activation from pattern signal on single input instead of edges on two inputs
EDM / RESTART	EDM feedback shared with RESET/RESTART input instead of dedicated input

2.6 HOW TO CHOOSE THE DEVICE

There are at least three different main characteristics that should be considered when choosing a safety light curtain, after having evaluated the risk assessment.

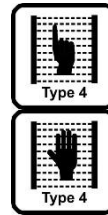
2.6.1 Detection capability

The detection capability (or resolution) of the device is the minimum diameter that an opaque object must have in order to obscure at least one of the beams that constitute the detection zone and to actuate the sensing device.

The resolution is related to the part of the body to be protected.

R=14 mm **Finger protection**

R=30 mm **Hand protection**



As shown in **Fig 2 - page 12**, the resolution only depends on the geometrical characteristics of the lenses, diameter and distance between centers, and is independent of any environmental and operating conditions of the safety light curtain.

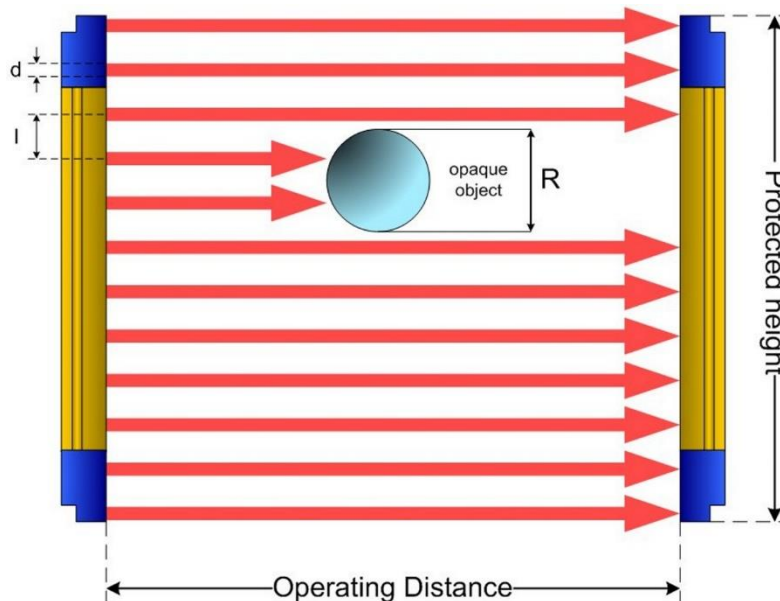


Fig 2 - Detection capability

The resolution value is obtained applying the following formula:

$$R = l + d$$

where:

l=Interaxes between two adjacent optics

d=Lens diameter

2.6.2 Height of the detection zone

The controlled height is the height protected by the safety light curtain.

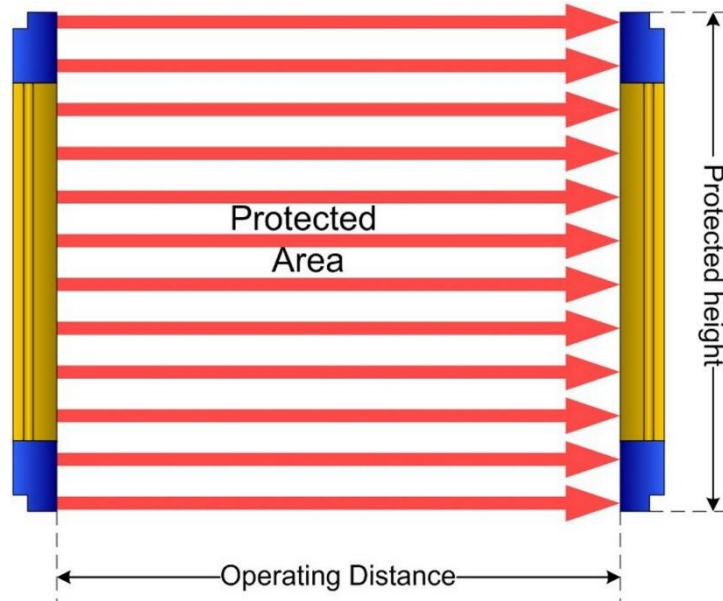


Fig 3 - Detection Zone

	MODEL	Controlled height Hp (mm)
	SG4-14-030-OO-x / SG4-30-030-OO-x	300
	SG4-14-045-OO-x / SG4-30-045-OO-x	450
	SG4-14-060-OO-x / SG4-30-060-OO-x	600
	SG4-14-075-OO-x / SG4-30-075-OO-x	750
	SG4-14-090-OO-x / SG4-30-090-OO-x	900
	SG4-14-105-OO-x / SG4-30-105-OO-x	1050
	SG4-14-120-OO-x / SG4-30-120-OO-x	1200
	SG4-14-135-OO-x / SG4-30-135-OO-x	1350
	SG4-14-150-OO-x / SG4-30-150-OO-x	1500
	SG4-14-165-OO-x / SG4-30-165-OO-x	1650
SG4-14-180-OO-x / SG4-30-180-OO-x	1800	

2.6.3 Minimum installation distance

The safety device must be positioned at a specific safety distance (**Fig 4 - page 14**).

This distance must ensure that the dangerous area cannot be reached before the dangerous motion of the machine has been stopped by the Safety Control System.

The safety distance depends on 4 factors, according to the EN ISO 13855 Standard:

- Response time of the ESPE (the time between the effective beam interruption and the opening of the OSSD contacts)
- Machine stopping time including Safety Control System computing and actuating time if present.
- ESPE resolution
- Approaching speed of the object to be detected

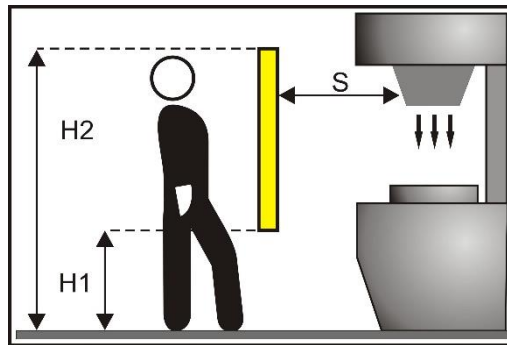


Fig 4 - Installation distance (vertical positioning)

The following formula is used for the calculation of the safety distance:

$$S = K (t1 + t2) + C$$

where:

- S = Minimum safety distance in mm
- K = Speed of the object, limb or body approaching the dangerous area in mm/sec
- t1 = Response time of the ESPE in seconds (see **TECHNICAL DATA page 91**)
- t2 = Machine stopping time in seconds (including the Safety Control System)
- C = Additional distance based on the possibility to insert the body or one of body parts inside the dangerous area before the protective device trips.
 C=8 (R -14) for devices with resolution ≤ 40 mm
 C=850 mm for devices with resolution > 40 mm
- R = Resolution of the system



K value is:
2000 mm/s if the calculated value of S is ≤ 500 mm
1600 mm/s if the calculated value of S is > 500 mm

When devices with > 40 mm resolution are used, the height of the top beam has to be ≥ 900 mm (H2) from machine supporting base while the height of the bottom beam has to be ≤ 300 mm (H1).

If the safety light curtain must be mounted in a horizontal position (**Fig 5 - page 15**) the distance between the dangerous area and the most distant optical beam must be equal to the value calculated using the following formula:

$$S = 1600 \text{ mm/s} (t_1 + t_2) + 1200 - 0,4 H$$

where:

- S = Minimum safety distance in mm.
- t1 = Response time of the ESPE in seconds (see **TECHNICAL DATA page 91**)
- t2 = Machine stopping time in seconds (including the Safety Control System)
- H = Beam height from ground; this height must always be less than 1,000 mm.

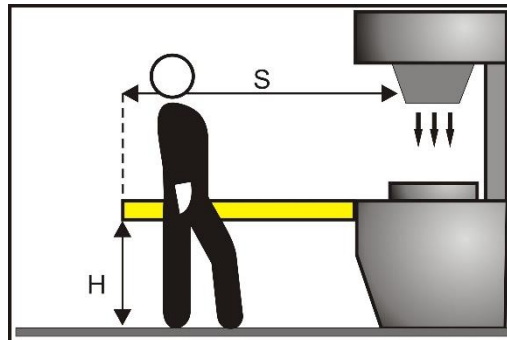


Fig 5 - Installation distance (horizontal positioning)

Practical examples

Let's suppose to have a light curtain with height = 600 mm

To calculate the distance of the device from the ESPE, in a vertical position, the following formula is used:

$$S = K * T + C$$

where:

- S = Minimum safety distance in mm.
- t1 = ESPE response time
- t2 = Machine total stopping time (Including safety control system).
- T = (t1 + t2) Overall system stopping performance
- C = 8 * (R – 14) for devices with resolution ≤ 40 mm
- R = Resolution of the system

In all cases, if K = 2000mm/sec then S > 500 mm.

Distance will have then to be recalculated using K = 1600 mm/sec.



**The reference standard is EN ISO 13855 "Safety of machinery - Positioning of safeguards with respect to the approach speeds of parts of the human body".
The following information is to be considered as indicative and concise.
For correct safety distance please refer to complete standard EN ISO 13855.**

2.7 TYPICAL APPLICATIONS

Example 1: Operating point protection on drilling machines

The operator positions the part and takes it back after machining. The operator must be protected against possible abrasions while working.

Solution: SG 14mm safety light curtain is especially suitable for this kind of application, which requires the installation of the device directly on the machine.

Advantages: Highly reduced profile size guarantees installation flexibility for machine dimensions.



Fig 6 - Operating point protection on drilling machines

Example 2: Bending presses

The safety device must protect the operator from being squashed between the top and bottom tool or the machined part during the fast approach phase.

Solution: If only one beam of the safety light curtain is darkened while the press is moving down, the mobile tool bar will stop.

Advantages: The safety light curtain can be used in most bending operations thanks to its easy installation and compact dimensions.

As well as offering excellent reliability, SG ensures increased plant productivity as it reduces the dead times necessary for machine accessing, adjustment and maintenance.



Fig 7 - Bending presses

Example 3: Paper cutting machines

These machines typically cut paper to a specific size for newspapers or special applications. The operator must be protected against abrasion or cuts by cutter blades.

Solution: SG 30mm safety light curtain is especially suitable for this kind of application, which require the installation of the device directly on the machine.

Advantages: Highly reduced profile and the two side slots ensure installation flexibility for machine dimensions.



Fig 8 - Paper cutting machines

Example 4: Milling machines

A milling machine is a machine tool used for the shaping of metals and other solid materials. Operator hands and body must be protected from being dragged, entangled or cut by the tool / spindle.

Solution: SG 30mm safety light curtain is the best solution considering the required safety levels and application type. When even just one of the light curtain beams is interrupted, the machine is immediately stopped.

Advantages: Highly reduced profile size guarantees installation flexibility for machine dimensions.

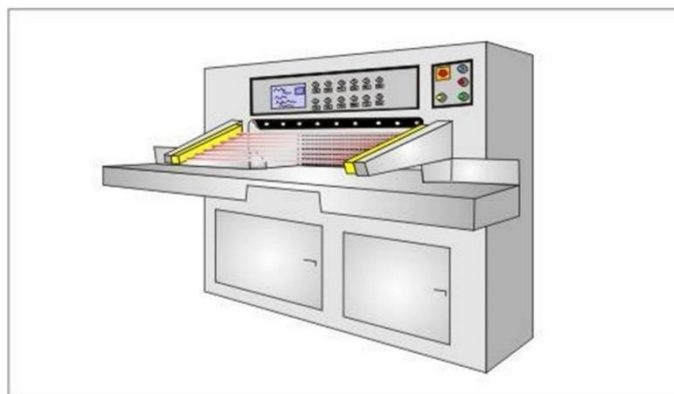


Fig 9 - Milling machines

2.8 SAFETY INFORMATION



For a correct and safe use of the safety light curtains, the following points must be observed:

- The stopping system of the machine must be electrically controlled.
- This control system must be able to stop the dangerous movement of the machine within the total machine stopping time T as per paragraph **Minimum installation distance page 14** and during all working cycle phases.
- Mounting and connection of the safety light curtain must be carried out by qualified personnel only, according to the indications included in the special sections (refer to sections **INSTALLATION page 19**, **MECHANICAL MOUNTING page 27**, **ELECTRICAL CONNECTIONS page 29**, **ALIGNMENT PROCEDURE page 36**) and in the applicable standards.
- The safety light curtain must be securely placed in a particular position so that access to the dangerous zone is not possible without the interruption of the beams (refer to section **INSTALLATION page 19**).
- The personnel operating in the dangerous area must be well trained and must have adequate knowledge of all the operating procedures of the safety light curtain.
- The TEST button must be located outside the protected area because the operator must check the protected area during all Test operation.



Please carefully read the instructions for the correct functioning before powering the light curtain on.

3 INSTALLATION

3.1 PRECAUTIONS TO BE OBSERVED FOR THE CHOICE AND INSTALLATION



Make sure that the protection level assured by the light curtain device is compatible with the real danger level of the machine to be controlled, according to EN ISO 13849-1: 2015 or EN 62061:2005/A2: 2015.

- Use only matched emitter and receiver pairs with same serial no.
- The outputs (OSSD) of the ESPE must be used as machine stopping devices and not as command devices.
- The machine must have its own START command.
- The dimension of the smallest object to be detected must be larger than the resolution level of the device.
- The ESPE must be installed in an environment complying with the characteristics indicated in **TECHNICAL DATA page 91**.
- The ESPE must not be installed close to strong and/or flashing light sources, in particular close to the front window of the receiving unit.
- The presence of intense electromagnetic disturbances could affect device's correct operation. This condition shall be carefully assessed with the advice of DATALOGIC Technical Service.
- The operating distance of the device can be reduced in presence of smog, fog or airborne dust.
- A sudden change in ambient temperature, with very low minimum peaks, can generate a small condensation layer on lenses and thus jeopardize correct operation. Take the necessary measures to ensure that the detection capability is not impaired.

3.2 GENERAL INFORMATION ON DEVICE POSITIONING

The safety light curtain should be carefully positioned to provide the necessary protection. Access to the dangerous area must only be possible by passing through the protecting safety light beams.



Fig 10 - page 20 shows some examples of possible access to the machine from the top and the bottom sides. These situations may be very dangerous and so the installation of the safety light curtain at sufficient height in order to completely cover the access to the dangerous area (Fig 11 - page 20) becomes necessary.

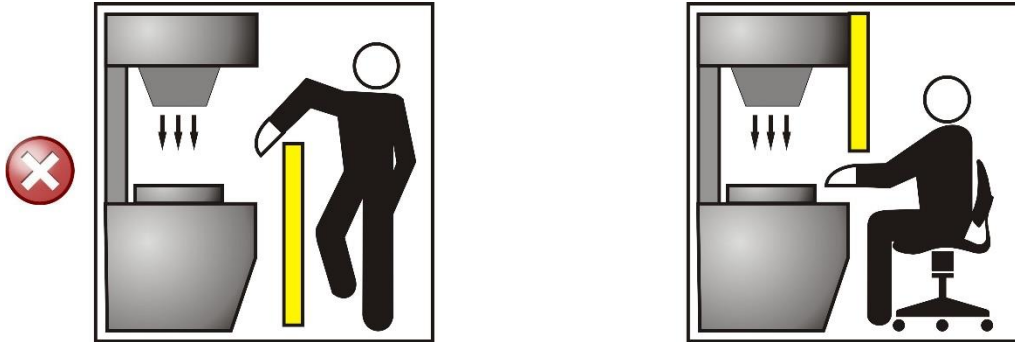


Fig 10 - Wrong light curtain positioning

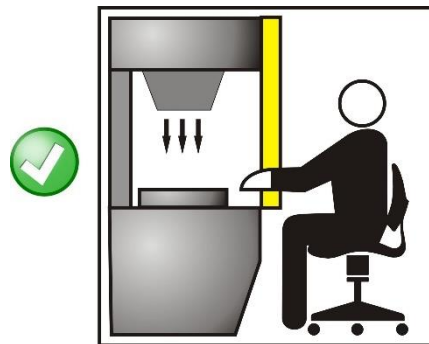


Fig 11 - Correct light curtain positioning



If the operator can enter the dangerous area, an additional mechanical protection must be mounted to prevent access.

Under standard operating conditions, machine starting must not be possible while operators are inside the dangerous area.

Where it is not possible to install safety light curtain very near to the dangerous zone, a second light curtain must be mounted in a horizontal position to prevent any lateral access, as shown in Fig 13 - page 20.

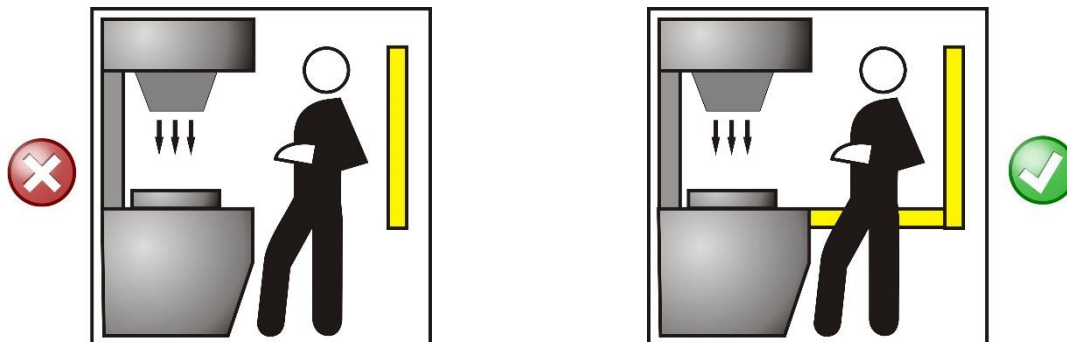


Fig 12 - Wrong light curtain positioning

Fig 13 - Correct light curtain positioning

3.2.1 Minimum distance from reflecting surfaces

Reflecting surfaces placed near the light beams of the safety device (over, under or laterally) can cause passive reflections. These reflections can affect the recognition of an object inside the controlled area. Moreover, if the RX receiver detects a secondary beam (reflected by the side-reflecting surface) the object might not be detected, even if the object interrupts the main beam.

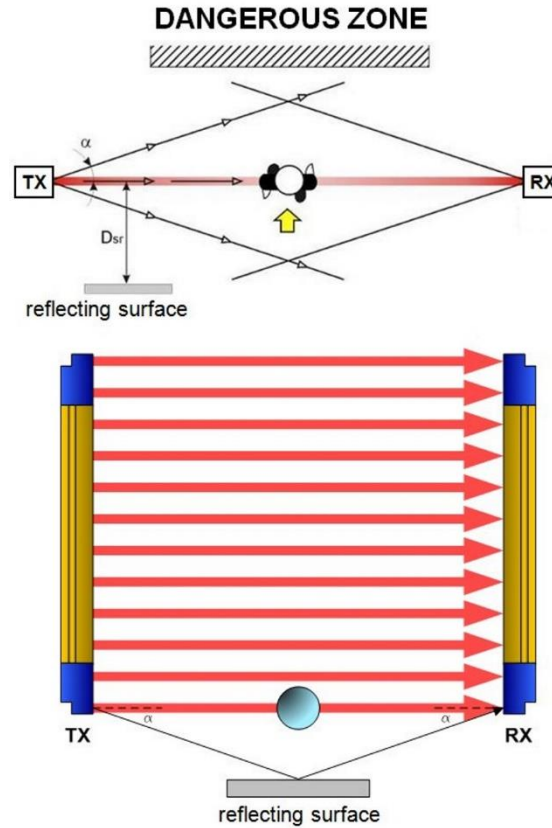


Fig 14 - Distance from reflecting surfaces

It is important to position the safety light curtain according to the minimum distance from reflecting surfaces.

The minimum distance depends on:

- operating distance between emitter (TX) and receiver (RX);
- real aperture angle of ESPE (EAA); especially:

for ESPE Type 4 $EAA = 5^\circ$ ($\alpha = \pm 2.5^\circ$)

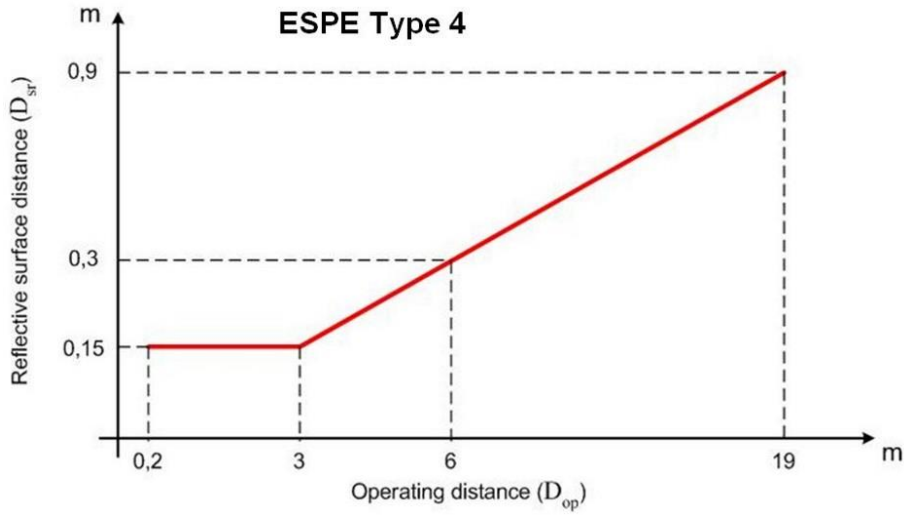


Fig 15 - Minimum distance from reflective surface

The formula to get D_{sr} is the following:

For ESPE Type 4:

D_{sr} (m) = 0,13 for operating distance < 3 m

D_{sr} (m) = 0,5 x operating distance (m) x tg 2a for operating distance >= 3 m

3.2.2 Distance between homologous devices

The following graphic shows the distance from the interfering devices (D_{do}) according to the operating distance (D_{op}) of the couple (TXA – RXA).

If different safety devices have to be installed in adjacent areas, the emitter of one device must not interfere dangerously with the receiver of the other device.

The TXB interfering device must be positioned outside a minimum D_{do} distance from the TXA – RXA emitter-receiver couple axis.

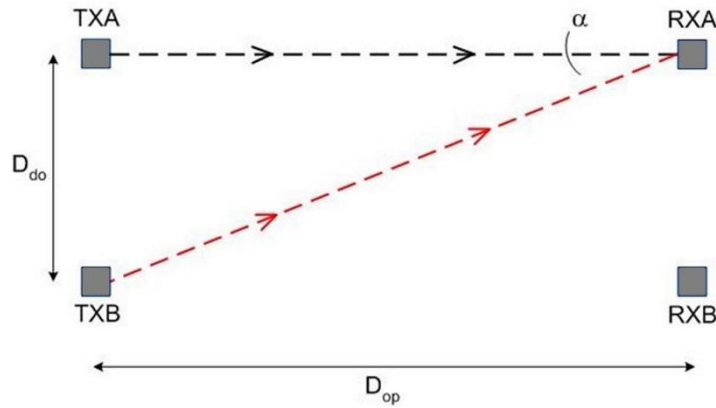


Fig 16 - Distance between homologous devices

This minimum D_{do} distance depends on:

- the operating distance between emitter (TXA) and receiver (RXA)
- the effective aperture angle of the ESPE (EAA)

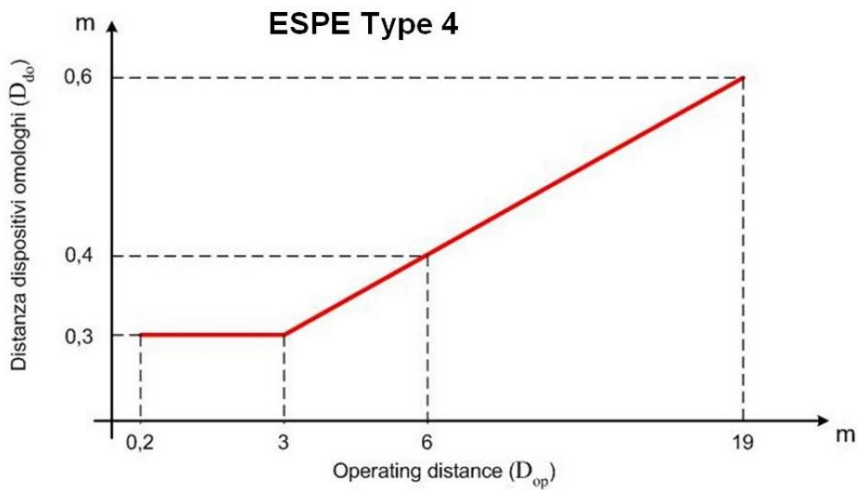


Fig 17 - ESPE Type4

The following table shows, for convenience, the values of the minimum installation distances relative to some operating distances:

Operating distance (m)	Minimum installation distance (m)
3	0.3
6	0.4
10	0.5
19	0.6



The interfering device (TXB) must be positioned at the same Ddo distance, calculated as shown above, even if closer to TXA respect to RXA. Installation precautions have to be taken to avoid interference between homologous devices. A typical situation is represented by the installation areas of several adjacent safety devices aligned one next to the other, for example in plants with different machines.

The figure provides two examples:

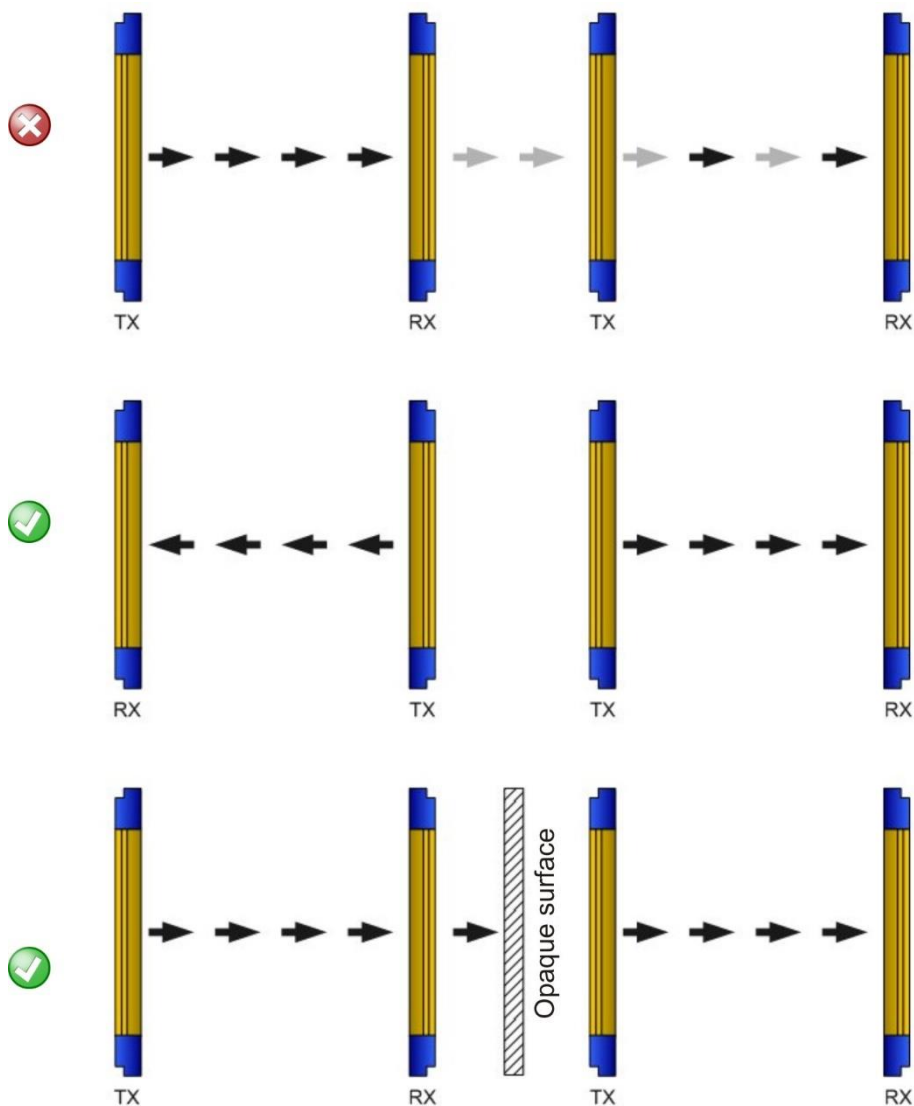


Fig 18 - Recommended positioning for homologous devices



If two light curtains have to be mounted near each other as reported in the first example of Fig 18 - page 24.

3.2.3 Emitter and Receiver Orientation

The two units shall be assembled parallel to each other, with the beams arranged at right angles with the emission and receiving surface, and with the connectors pointing to the same direction.

The configurations shown below must be avoided:

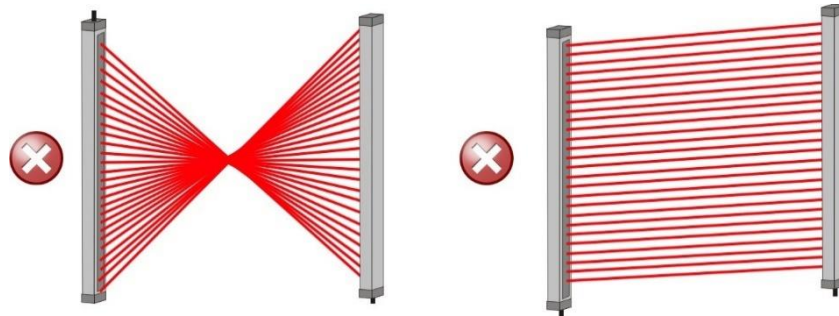


Fig 19 - Wrong light curtain TX-RX orientations

3.2.4 Use of deviating mirrors

The control of any dangerous area, with several but adjacent access sides, is possible using only one safety device and well-positioned deviating mirrors.

The figure shows a possible solution to control two different access sides, using one mirror placed at 45° with respect to the beams.

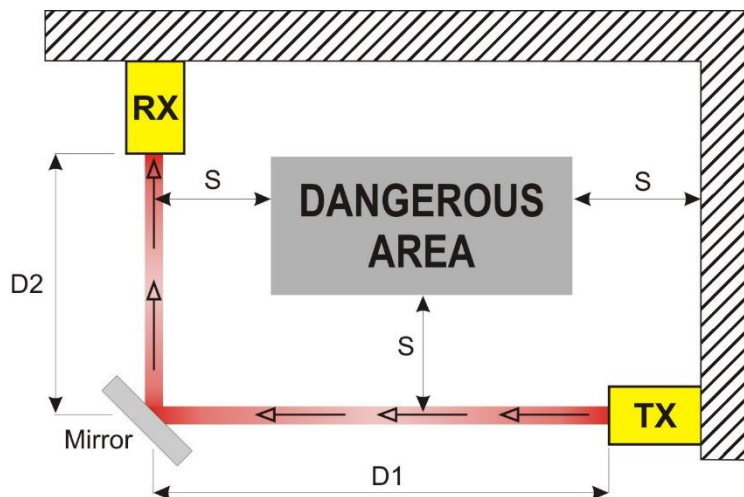


Fig 20 - Use of deviating mirrors

The operator must respect the following precautions when using the deviating mirrors:

- The alignment of the emitter and the receiver can be a very critical operation when deviating mirrors are used. Even very small displacements of the mirror are enough to lose alignment.
- The use of DATALOGIC laser pointer accessory is recommended under these conditions.
- The minimum safety distance (S) must be respected for each single section of the beams.
- The effective operating range decreases by about 20% by using only one deviating mirror.

The following table shows estimated operating distances relating to the number of mirrors used.

Number of mirrors	Operating Distance (14mm)	Operating Distance (30mm)
0	7 m	20 m
1	5.6 m	16 m

- The presence of dust or dirt on the reflecting surface of the mirror causes a drastic reduction in the range.

3.2.5 Controls after first installation

The control operations to carry out after the first installation and before machine start-up are listed hereinafter. The controls must be carried out by qualified personnel, either directly or under the strict supervision of the person in charge of machinery Safety.

Check that:

- ESPE remains in SAFE state intercepting the beams along the protected area using the specific test piece (TP-14, TP-30), following the scheme in **Fig 21 - page 26**.

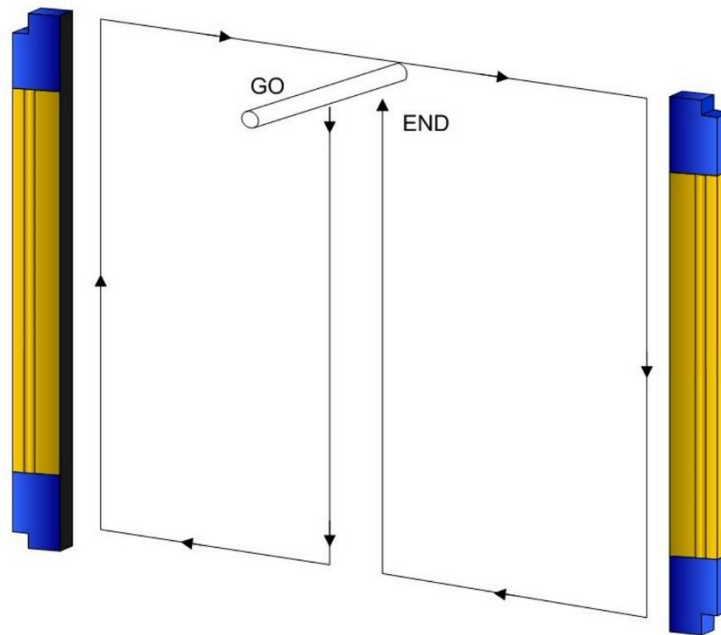


Fig 21 - Path of the test piece

- ESPE has to be correctly aligned, press slightly on the product side in both directions, the red LED must not turn on
- The activation of the TEST function (on TX side) causes the opening of the OSSD outputs (red LED, OSSD on RX side, ON and controlled machine stop)
- The response time at machine STOP, including the ESPE and machine response times, must be included in the limits defined in the calculation of the safety distance (refer to chapter **INSTALLATION page 19**).
- The safety distance between the dangerous parts and ESPE must comply with the requirements indicated in chapter **INSTALLATION page 19**.
- A person must not access or remain between ESPE and the dangerous parts of the machine
- Access to the dangerous areas of the machine must not be possible from any unprotected area
- ESPE must not be disturbed by external light sources, ensuring that it remains in NORMAL OPERATION condition for at least 10-15 minutes and, placing the specific test piece in the protected area, in the SAFE state for the same period.
- Verify the correspondence of all the accessory functions, activating them in different operating conditions.

4 MECHANICAL MOUNTING

The emitting (TX) and receiving (RX) units must be installed with the relevant sensitive surfaces facing each other. The connectors must be positioned on the same side and the distance must be included within the operating range of the model used (see **TECHNICAL DATA page 91**).

The two units must be positioned the most aligned and parallel possible. The next step is the fine alignment, as shown in chapter **ALIGNMENT PROCEDURE page 36**.

Outfit angled fixing brackets kit, for units mounting, must be used as described below (**Fig 22 - page 27**).

Adjustable supports for adjusting unit inclinations around the axes are available on request (see **ACCESSORIES page 98**).

To mount the angled fixing brackets kit, place the threaded pins metallic insert into the dedicated side seat of the terminator cap side light curtain closing cap; slide the insert towards the metallic drawn profile groove. Fix the bracket against the profile by tightening the M5 hexagonal nuts. It's possible to slide the bracket group along their dedicated rail and fix it once again just working on the above mentioned nuts.

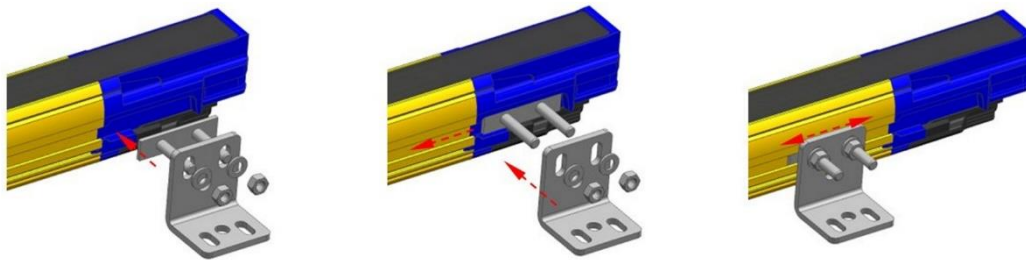


Fig 22 - Fixed brackets mounting procedure

In case of applications with particularly strong vibrations, vibration dampers, together with mounting brackets, are recommended to reduce the impact of the vibrations.



Fig 23 - Anti-vibration dampers

The recommended mounting positions according to the light curtain length are shown in **Fig 24 - page 28** and in the following table.

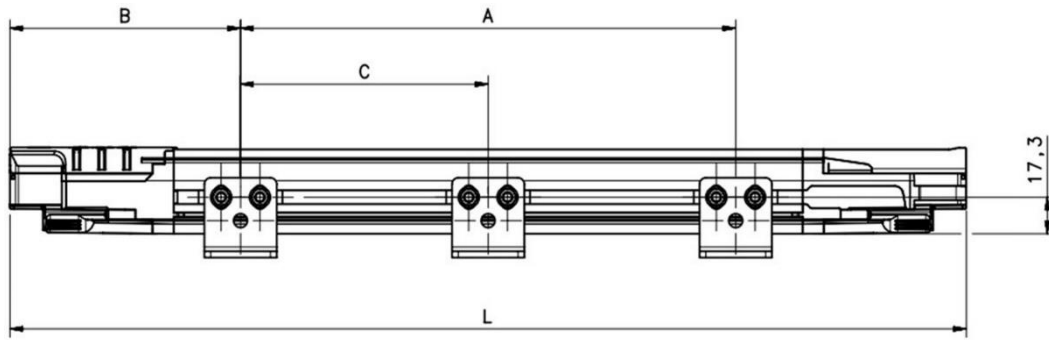


Fig 24 - Light curtain dimensions

MODEL 14mm	MODEL 30mm	L (mm)	A (mm)	B (mm)	C (mm)
SG4-14-030-OO-x	SG4-30-030-OO-x	306.3	86.3	110	-
SG4-14-045-OO-x	SG4-30-045-OO-x	456.3	236.3	110	-
SG4-14-060-OO-x	SG4-30-060-OO-x	606.2	306.2	150	-
SG4-14-075-OO-x	SG4-30-075-OO-x	756.2	406.2	175	-
SG4-14-090-OO-x	SG4-30-090-OO-x	906.1	506.1	200	-
SG4-14-105-OO-x	SG4-30-105-OO-x	1056.1	606.1	225	-
SG4-14-120-OO-x	SG4-30-120-OO-x	1206	966	150	453
SG4-14-135-OO-x	SG4-30-135-OO-x	1356	1066	175	503
SG4-14-150-OO-x	SG4-30-150-OO-x	1505.9	1166	200	553
SG4-14-165-OO-x	SG4-30-165-OO-x	1655.9	1266	225	603
SG4-14-180-OO-x	SG4-30-180-OO-x	1805.8	1366	250	652.9

5 ELECTRICAL CONNECTIONS

5.1 PIN-OUT AND CONFIGURATION PIN CONNECTION

All electrical connections to the emitting and receiving units are made through some particular cables; these are composed of a rectangular 18 pin connector on light curtain side and M12 male connector(s) on the other side. The Muting cable allows having on the receiving unit one M12 12-pole connector and one M12 5-pole connector. The Blanking cable allows having on the receiving unit one M12 12-pole connector. The emitting unit has one M12 5-pole connector (both in Muting and Blanking mode). The cables have to be connected on the bottom side of the light curtains (LEDs and push button side) by removing the white cap.

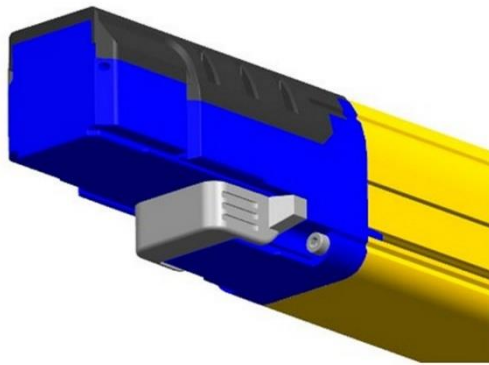


Fig 25 - Connections

Take care that the terminator cap (see **ACCESSORIES page 98**) is connected on the top side of the light curtains. If this connection misses, Master and Slave units go in critical Communication failure.



Since the RX connections are different for M12 12-poles of Muting cable and M12 12-poles of blanking cable, it's important to use the correct cable for each configuration (connector with two M12 with the Muting configuration and connector with one M12 with the blanking configuration).

PIG-TAIL CABLE MUTING CONFIGURATION FOR RECEIVER (SG4-P)	
	<p>M12 12 pin:</p> <ol style="list-style-type: none"> 1. 24 V (brown) 2. 0V (blue) 3. RESET/RESTART/ALIGN (white) 4. OVERRIDE 1 (green) 5. OSSD 2 (pink) 6. EDM (yellow) 7. MUTING DISABLE (black) 8. OSSD 1 (grey) 9. OVERRIDE 2 (red) 10. MUTING LAMP (violet) 11. OVERRIDE STATUS (grey-pink) 12. EARTH (red-blue) <hr/> <p>M12 5 pin:</p> <ol style="list-style-type: none"> 1. 24 V (brown) 2. MUTING 2 (white) 3. 0V (blue) 4. MUTING 1 (black) 5. N.C. (grey)

Pigtail cable - Muting configuration for receiver RX (CS-R1-75-B-002)

PIG-TAIL CABLE BLANKING CONFIGURATION FOR RECEIVER (SG4-P)	
	M12 12 pin: <ol style="list-style-type: none"> 1. 24 V (brown) 2. 0V (blue) 3. RESET/RESTART/ALIGN (white) 4. TEACH-IN (green) 5. OSSD 2 (pink) 6. EDM (yellow) 7. N.C. (black) 8. OSSD 1 (grey) 9. TOLERANCE (red) 10. LAMP (violet) 11. N.C. (grey-pink) 12. EARTH (red-blue)

Pigtail cable - Blanking configuration for receiver RX (CS-G1-70-B-002)

PIG-TAIL CABLE FOR RECEIVER RX (SG4-N Model)	
	M12 8 pin: <ol style="list-style-type: none"> 1. RESTART / RESET / EDM / OVERRIDE (white) 2. +24 VDC (brown) 3. MUTING 1 (green) 4. MUTING 2 (yellow) 5. OSSD1 (grey) 6. OSSD2 (pink) 7. 0V (blue) 8. MUTING LAMP (red)

Pigtail cable - Receiver RX for SG4-N Models (CS-G1-60-B-002)

PIG-TAIL CABLE FOR EMITTER	
	M12 5 pin: <ol style="list-style-type: none"> 1. 24V (brown) 2. TEST (white) 3. 0V (blue) 4. EARTH (black) 5. NOT USED (grey)

Pigtail cable - for emitter TX (CS-G1-50-B-002)

M12 Connectors pinout		
12 pin	8 pin	5 pin

MUTING CONFIGURATION RECEIVER SG4-P		
LINE	LAYOUT CONNECTION	BEHAVIOUR
RESET		active on high level in failure lockout
RESTART		active on high level at runtime
ALIGNMENT		active on high level at startup
OVERRIDE 1		active on high level at runtime
OVERRIDE 2		active on low level at runtime
EDM	See par. 8.5 for connections	must be ossds antivalent at runtime with edm enabled
MUTING DISABLE		Muting disabled on high level at runtime
OSSD 1/OSSD 2		high level = free path low level = object detection
OVERRIDE STATUS		high level = override function active low level = override function not active NB: at start-up there are fluctuations on this line not concerning the override activation
MUTING LAMP		open collector sinks on Muting activation.
MUTING 1/MUTING 2		active on high level at runtime
EARTH		connect directly to earth

MUTING CONFIGURATION RECEIVER SG4-N		
LINE	LAYOUT CONNECTION	BEHAVIOUR
RESET		active on low level in failure lockout
RESTART		active on low level at runtime
ALIGNMENT		active on low level at startup
OVERRIDE		refer to paragraph Override SG4-N
EDM	See par. 8.5 for connections	must be ossds antivalent at runtime with edm enabled
OSSD1 / OSSD 2		high level = free path low level = object detection
MUTING LAMP		open collector sinks on Muting activation
MUTING 1/MUTING 2		active on high level at runtime

BLANKING CONFIGURATION RECEIVER SG4-P		
LINE	LAYOUT CONNECTION	BEHAVIOUR
RESET		active on high level in failure lockout
RESTART		active on high level at runtime
ALIGNMENT		active on high level at startup
TOLERANCE		active on high level at startup
TEACH IN		active on high level at runtime
EDM	See par. 8.5 for connections	must be ossds antivalent at runtime with edm enabled
OSSD1 / OSSD 2		high level = free path low level = object detection
BLANKING LAMP		open collector sinks on blanking active
EARTH		connect directly to earth

EMITTER		
LINE	LAYOUT CONNECTION	BEHAVIOUR
TEST		active on high level at runtime
EARTH		connect directly to earth

5.2 NOTES ON CONNECTIONS

For the correct operation of the safety light curtains, the following precautions regarding the electrical connections have to be respected:

- Do not place connection cables in contact with or near high-voltage cables and/or cable undergoing high current variations (e.g. motor power supplies, inverters, etc.).
- **Do not connect the OSSD wires of different light curtains in the same multi-pole cable.**
- The TEST wire must be connected through a N.O. button to the supply voltage of the ESPE.



The TEST button must be located in such a way that the operator can check the protected area during any test.

The RESET/RESTART/ALIGN button must be located in such a way that the operator can check the protected area during any reset operation.

- The device is already equipped with internal overvoltage and overcurrent suppression devices.
- **The use of other external components is not recommended.**

Example: connection to the safety relay SE-SR2

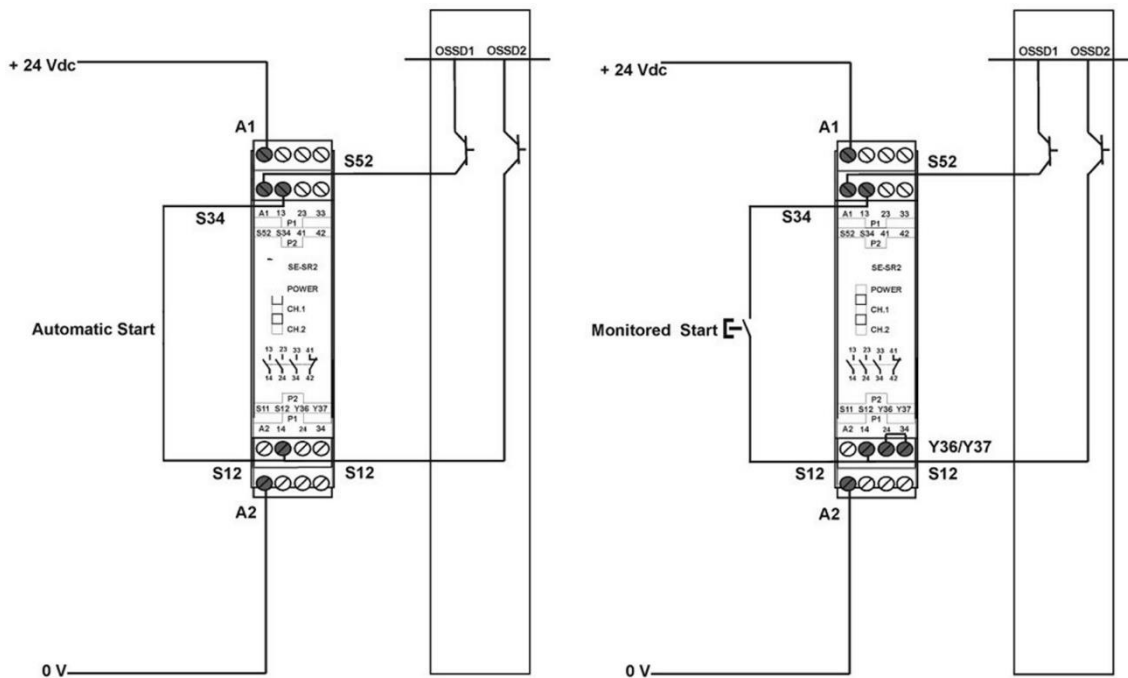


Fig 26 - Connection to SE-SR2 Safety Relays

The figures show the connection between the safety light curtains and the safety relay of the SE-SR2 series functioning in the Automatic Restart mode (left side) and Manual Restart with monitoring (right side).

- Do not use varistors, RC circuits or LEDs in parallel at relay inputs or in series at OSSD outputs.
- The OSSD1 and OSSD2 safety contacts cannot be connected in series or in parallel, but can be used separately, conforming to the plant's safety requirements.
- If one of these configurations is erroneously used, the device enters output failure condition (see **USER INTERFACE AND DIAGNOSTICS** page 84).

- Connect both OSSDs to the device to control.
- Failure to connect an OSSD to the activating device jeopardizes the system safety degree that the light curtain has to control.

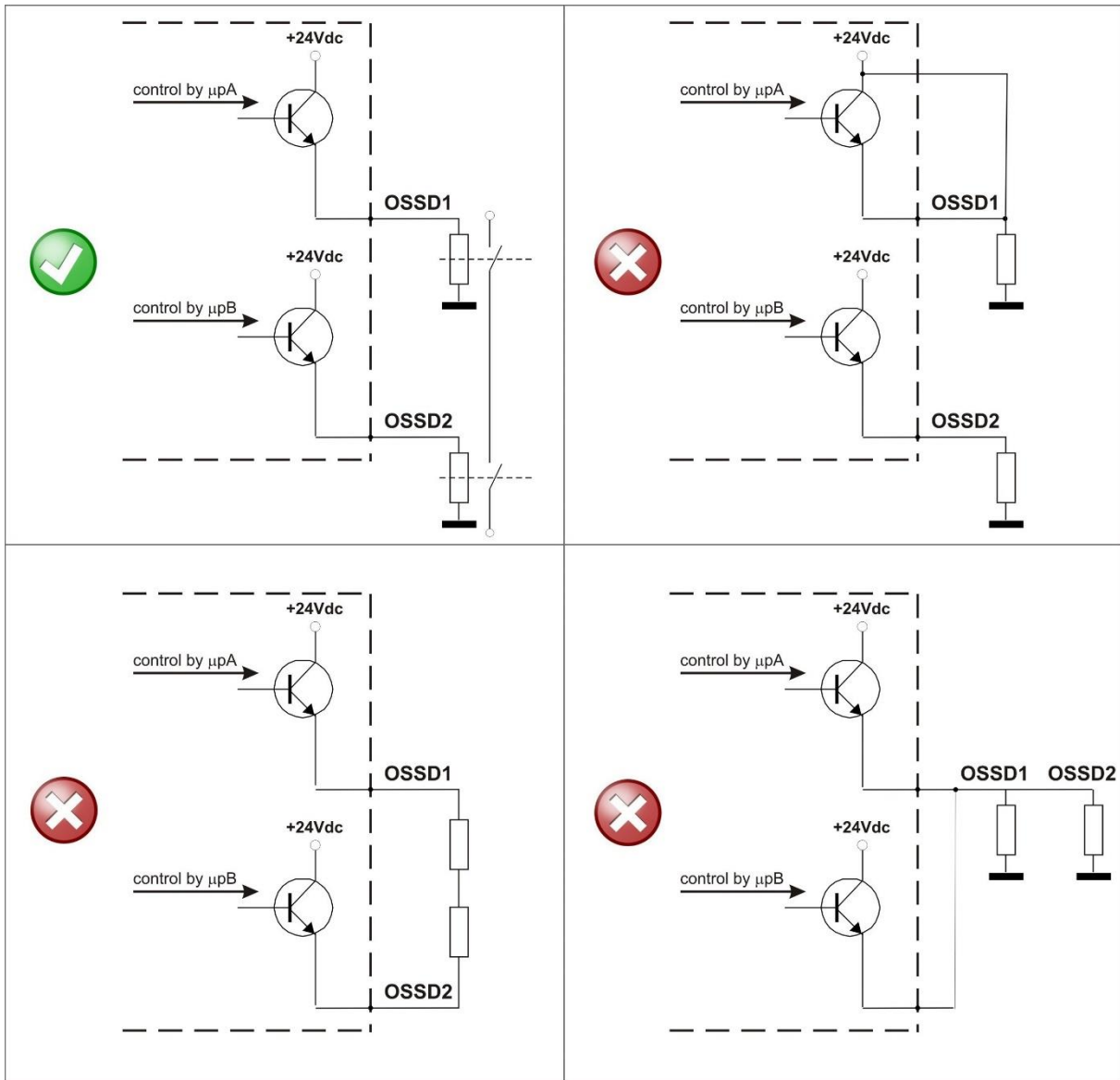


Fig 27 - OSSDs connection

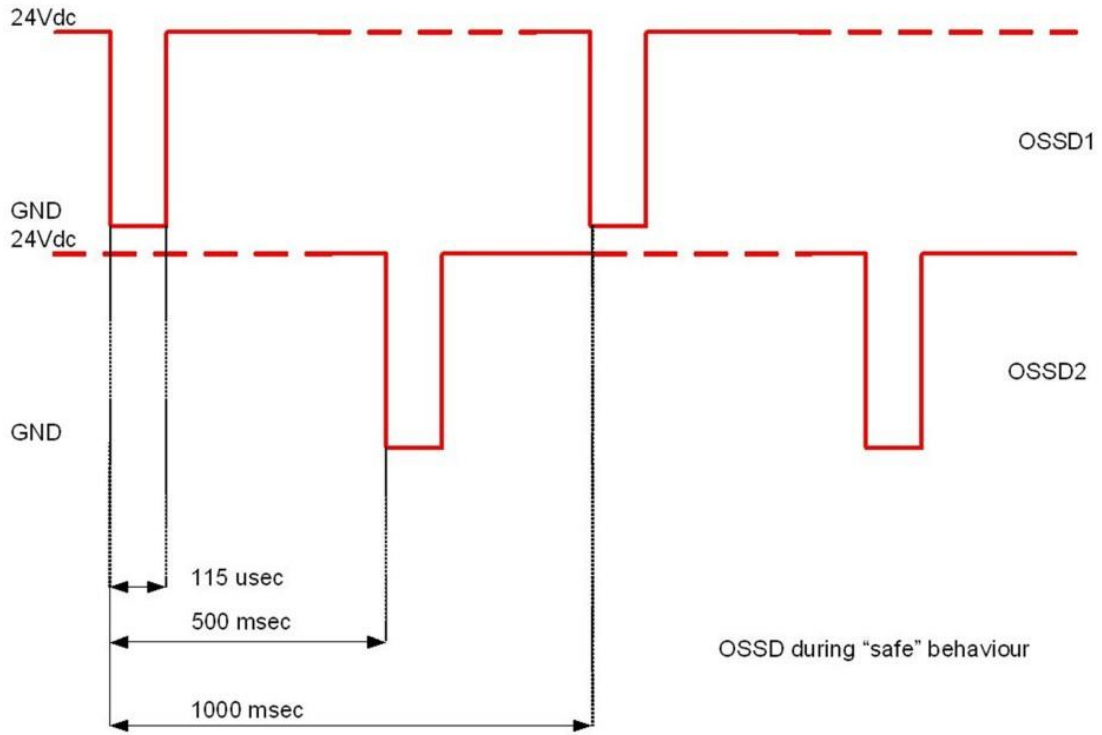


Fig 28 - Behavior of OSSDs

6 ALIGNMENT PROCEDURE

The alignment between the emitting and the receiving units is necessary to obtain the correct operation of the light curtain.

A good alignment prevents outputs instability caused by dust or vibrations.

The alignment is perfect if the optical axes of the first and the last emitting unit's beams coincide with the optical axes of the corresponding elements of the receiving unit.

Since the light curtain has two beams for the synchronization, let's call SYNC1 the sync beam at the bottom, the first beam of the array, and SYNC2 the sync beam on the opposite part of the light curtain, the last beam of the array.

The figure shows that the first beam is located at the bottom edge of the light curtain, near the LED display.

The last beam is at the opposite end near the terminator cap. These two beams are the synchronization beams too.

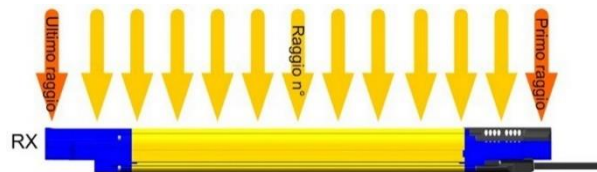


Fig 29 - Description of the beams

The Alignment function can be activated by simply keeping pressed the external normally open push-button linked to RESET/RESTART input (white wire – RX side) at start-up until the second LED (red) begins to blink indicating the activation of the Alignment function, as shown in the following timing diagram. When a good state of alignment is reached a power OFF and a power ON operation take the ESPE back to normal operation.

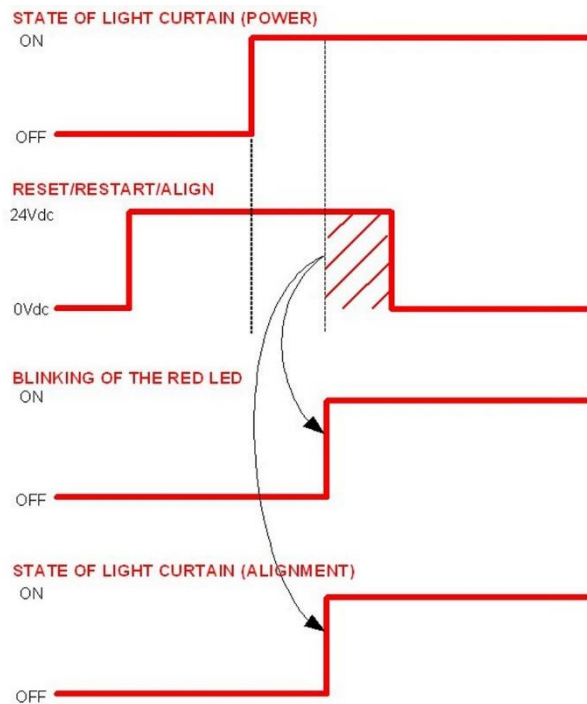


Fig 30 - Alignment timings


In Alignment Mode ESPE is always in Safe State and the OSSDs are kept OFF.

The state of alignment is estimated from RX unit by reading the received signal level of each beam compared on 4 factory established thresholds. First and last beams received level get some more weight.

In alignment mode user interface informs the user about quality and level of alignment:

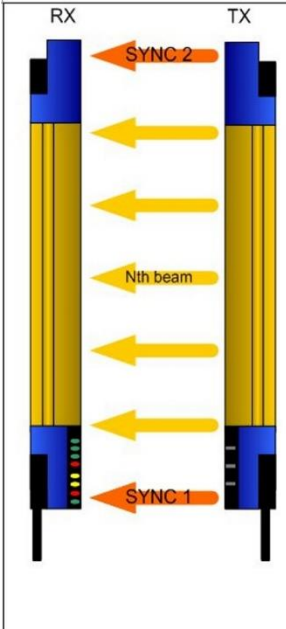
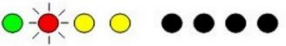
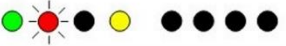




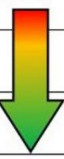


Keep the receiver in a steady position and set the emitter until the yellow SYNC1 LED is OFF. This condition shows the effective alignment of the first synchronisation beam

Rotate the emitter, pivoting on the lower optics axis, until the yellow SYNC2 LED is OFF

Delimit the area in which alignment is good and steady through some micro adjustments - for the first and then for the second unit – in order to have the maximum alignment LEVEL () and then place both units in the center of this area

Fix the two units firmly using brackets. Verify that the LEVEL on the RX unit is as high as possible and beams are not interrupted, then verify that all LEVEL Led turn OFF if even one single beam is interrupted. This verification shall be made with the special cylindrical “Test Piece” having a size suitable to the resolution of the device used (see **Controls after first installation page 25**).

Switch-off and on the device in standard operating mode. The alignment level is monitored also during the device normal operation with the same display (see **User interface page 84**). Once the light curtain has been aligned and correctly fastened, the signal display is useful both to check the alignment and show a change in the environmental conditions (occurrence of dust, light disturbance and so on) via signal level monitoring.

	Indication	RX Led configuration	Alignment Status	OSSD Status in Normal Operation
	No Sync, check SYNC1		NONE	OFF
	SYNC1 aligned		NONE	OFF
	SYNC2 aligned		NONE	OFF
	One or more intermediate beams not aligned		NONE	OFF
	All beams aligned		BAD	ON
	All beams aligned			ON
	All beams aligned			ON
	All beams aligned			EXCELLENT

If SG4-DONGLE is installed, the 7-segment display shows further messages.

Please refer to the SG4-DONGLE manual for details.

7 FUNCTIONS SETTING

ESPE operation functions and parameters configuration can be performed in two different ways:

- Basic Configuration Mode (BCM):

Let the user select among basic functions / basic parameters with the help of push buttons and led user interface (available on both RX and TX unit)

- Advanced Configuration Mode (ACM):

Let the user select among advanced functions / advanced parameters with the help of a PC Software GUI interface (available for RX only)

7.1 BASIC CONFIGURATION MODE

A user interface of 8 LEDs and 3 protected push buttons lets the user operate basic configuration.

LEDs are the same used for user interface in normal operation.

The user must use the provided special tool (see **INCLUDED ACCESSORIES page 96**), to activate push buttons thus accidental access to safety configuration is avoided.



Do not use screwdrivers to activate push buttons!



Fig 31 - User interface

Basic configuration steps:

In the right side of user control panel (on both units of the light curtain) a setting interface composed by 3 push buttons is present; the purpose of the interface is to let the user set light curtain locally and without use of PC graphic user interface.

Setting interface is composed by a CONFIRM push button used to enter in BCM and to confirm the selected configuration, a SELECT push button used to roll by different functions and an ENABLE push button to activate/deactivate the current function.

Here below the necessary steps for BCM configuration:

1. Keep CONFIRM button pressed for 5 seconds to enter Basic Configuration Mode
2. A Test Pattern is shown on led interface; carefully check that ALL LED are lit in sequence from 2 to 8, then current configuration is shown
3. Choose function to set by SELECT button; selected LED blinks
4. Configure selected function with ENABLE button (switch LED ON/OFF)
5. Repeat steps 3 and 4 until desired configuration is visualized
6. Keep CONFIRM button pressed to authorize the new configuration

If an Advanced Configuration is already set on ESPE (configuration by SG Extended GUI PC User Interface), a button pressure on Step 2 causes ESPE configuration failure lockout to prevent unauthorized advanced configuration changes.

7.2 ADVANCED CONFIGURATION MODE (SG4-P)

SG Extended GUI software (Graphic User Interface, GUI) for PC allows the user to set ESPE advanced configuration. Many parameters are available to customize ESPE behavior for specific applications.

Since ESPE parameters can be safety critical and PC software cannot be guaranteed as a safety component, a safe configuration procedure has to be followed.

Configuration procedure on GUI can be done by authorized personnel only. Such personnel must be sure that protected dangerous machine has no access during configuration procedure.

There are 3 different kinds of operator that can use the GUI with 3 different levels of authorizations.

System Integrator: has all the possible authorizations and can set every configuration on the GUI

Maintainer: can upload the configurations (saved on the GUI) on the light curtain and use the GUI for monitoring the system, but he can't create new configurations

Machine Operator: uses the GUI only for monitoring the system

Depending on the kind of operator there are different passwords that protect some functions of the GUI.

Operator	Password
System Integrator	SystemIntegrator
Maintainer	Maintainer
Machine Operator	no password requested

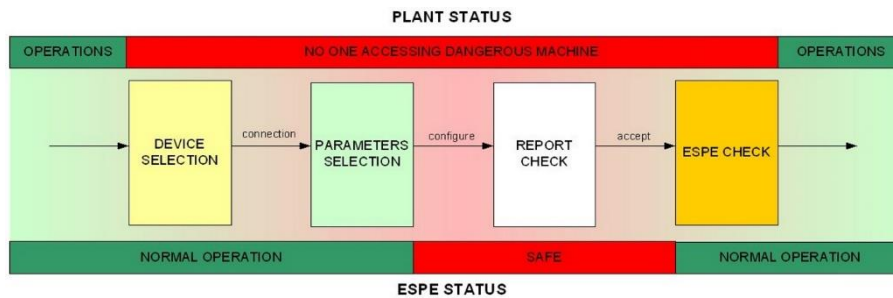


Fig 32 - ACM configuration cycle

Device selection: user selects ESPE to configure, choosing among devices on network identified by a unique Serial Number

Parameters selection: user, after setting the configuration ESPE, requires the transfer at the GUI and insert the password to access the device. The GUI sends the configuration command, ESPE switches to SAFE state, a "configuration in progress" indication is shown on ESPE led interface, old configuration on ESPE is erased

Report check: ESPE sends back to GUI the received configuration, GUI produces a printable SAFETY REPORT with all safety related information about configuration in progress (Fig 33 - page 40).

After checking all report contents user can accept configuration: ESPE restarts in normal operation with the new configuration.

ESPE Check: user checks if ESPE is working according to SAFETY REPORT (resolution check with proper test piece, parameters check ...)

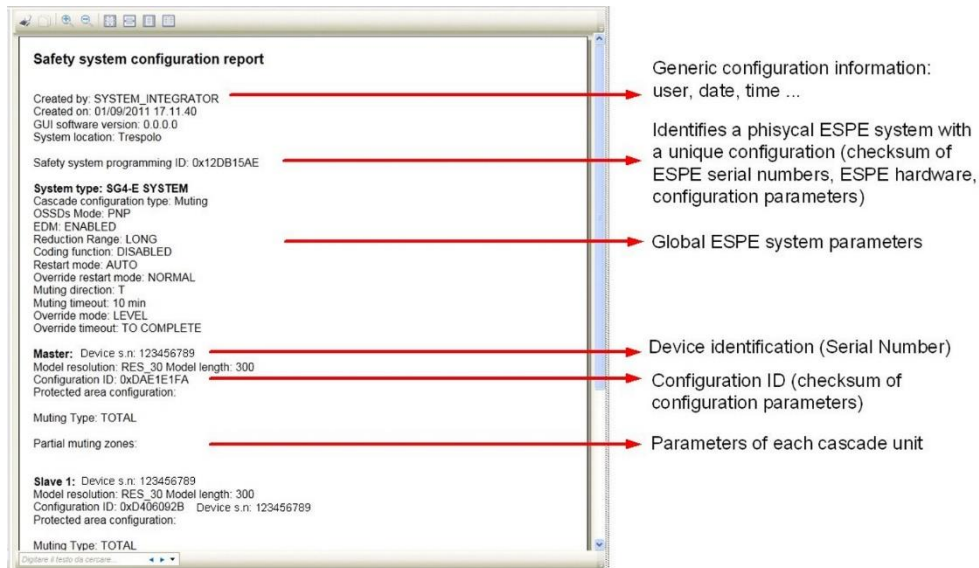


Fig 33 - Safety report

7.2.1 Password protection and not up to date devices versions compatibility

Starting from release 1.3.0 of SG Extended GUI, firmware version 6.2.0 of SG4-DONGLE, and firmware version 6.1.0 of SG4 EXTENDED light curtain, an improved configuration protection mechanism has been implemented by means of a device embedded password.

For combinations of GUI, SG4-DONGLE and SG4 EXTENDED with different versions of release or firmware, please check the following compatibility table:

SG Extended GUI Release	SG4-DONGLE Firmware	SG4 EXTENDED Firmware	
R < 1.0.3	-	-	Please update to last version of SG Extended GUI, available for free at www.datalogic.com
R ≥ 1.0.3	Fw < 6.2.0	Fw < 6.1.0	During on-line or off-line configuration, system will request a GUI password but not a device embedded password.
R ≥ 1.0.3	Fw < 6.2.0	Fw ≥ 6.1.0	During on-line configuration a device embedded password will be requested. Off-line configuration is not possible with this combination: SG4-DONGLE with Fw ≥ 6.2.0 is needed.
R ≥ 1.0.3	Fw ≥ 6.2.0	Fw < 6.1.0	During offline configuration, a password will be requested to store the configuration on SG4-DONGLE, but not transferred to the SG4 EXTENDED.
R ≥ 1.0.3	Fw ≥ 6.2.0	Fw ≥ 6.1.0	System will always request a device embedded password for configuration. It is also possible to input an empty password.



SG4-DONGLE with Fw version ≥ 6.2.0 reports Fw version on product label. Otherwise SG4-DONGLE with Fw version < 6.2.0 doesn't report this information on product label.

7.2.2 Reset to Factory configuration

System Integrator User can reset ESPE at factory configuration settings with SG Extended GUI software with the following action:

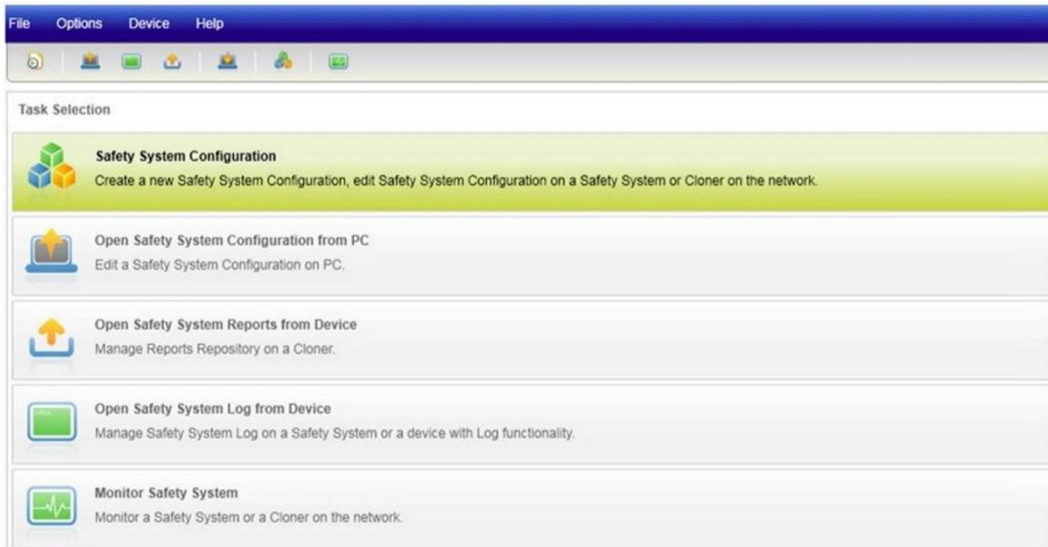


Fig 34 - Task Selection



Fig 35 - Device Selection and erase configuration



Fig 36 - Insert password



Password is requested only from GUI ver.1.3.0 and firmware ver.6.1.0.

Only if there is no ACM configuration on light curtains, user can also reset ESPE at factory configuration settings with the following push button action:

- press and keep pressed CONFIRM button for at least 9 sec. (but less than 30 sec. otherwise the light curtain goes in lockout failure)
- LEDs blink for a while, then the light curtain resets
- after reset the light curtains begins its normal functioning with the factory configuration

7.3 FUNCTION LIST

7.3.1 Programmable Models

SG4 EXTENDED programmable models (SG4-P) have two main operating modes: Blanking and Muting. Choosing between Blanking and Muting changes the function setting associated to LEDs 5 to 8.

The default configuration is indicated in bold characters



Since the last 3 LEDs don't change status by passing from a Muting configuration to a blanking configuration (and vice versa) and since these 3 LEDs have 3 different meanings depending on the configuration, the user has to pay attention to the configuration setting when decides to change configuration.

RX Function list in Muting operation Mode (LED 3 ON Yellow)			
Function	LED #	Setting	LED Status <small>PWR</small> <small>OSSD</small> <small>EDM</small> <small>ACM</small> <small>LEVEL</small>
Coding	2	Code 1	
		Code 2	
		No Code	
Muting/Blanking Selection	3	Muting	
		Blanking	
EDM	4	Enabled	
		Disabled	
Restart mode	5	Auto	
		Manual	
Muting Direction	6	T (bidirectional)	
		L (unidirectional)	
Muting Timeout	7	10 min	
		Inf.	
Override Trigger	8	Level	
		Edge	

Function list in Blanking operation Mode (LED 3 OFF)			
Function	LED #	Setting	LED Status
Coding	2	Code 1	
		Code 2	
		No Code	
Muting/Blanking Selection	3	Muting	
		Blanking	
EDM	4	Enabled	
		Disabled	
Restart mode	5	Auto	
		Manual	
Floating Blanking Selection	6-7	Floating Blanking Disabled	
		Floating Blanking 1 beam	
		Floating Blanking 2 beams	
		Reduced Res 4 beams	
Fixed blanking selection	8	1 Fixed Blanking Zone	
		2 Fixed Blanking Zones	

Tx Function List			
Function	LED #	Setting	LED Status
Coding	2	Code 1	
		Code 2	
		No Code	
Range Selection	3	Long	
		Short	

7.3.2 SG4-N Models

SG4-N model provides Muting and Override functions along with Automatic/Manual Restart and External Device Monitoring.



The default configuration is indicated in bold characters

RX Function list in Muting operation Mode (LED 3 ON Yellow)										
Function	LED #	Setting	LED Status							ESPE Zones
			PWR	OSSD	EDM	ACM	LEVEL			
Partial Muting	2	Zone (A)	<input type="radio"/>	<input checked="" type="radio"/>	<input type="radio"/>	<input type="radio"/>	<input type="radio"/>	<input type="radio"/>	<input type="radio"/>	
		Zone (A+B)	<input type="radio"/>	<input checked="" type="radio"/>	<input type="radio"/>	<input type="radio"/>	<input type="radio"/>	<input type="radio"/>	<input type="radio"/>	
		Zone (A+B+C)	<input type="radio"/>	<input checked="" type="radio"/>	<input type="radio"/>	<input type="radio"/>	<input type="radio"/>	<input type="radio"/>	<input type="radio"/>	
Muting Exit Delay	3	OFF	<input type="radio"/>	<input type="radio"/>	<input checked="" type="radio"/>	<input type="radio"/>	<input type="radio"/>	<input type="radio"/>	<input type="radio"/>	
		ON	<input type="radio"/>	<input type="radio"/>	<input checked="" type="radio"/>	<input type="radio"/>	<input type="radio"/>	<input type="radio"/>	<input type="radio"/>	
EDM	4	Enabled	<input type="radio"/>	<input type="radio"/>	<input checked="" type="radio"/>	<input type="radio"/>	<input type="radio"/>	<input type="radio"/>	<input type="radio"/>	
		Disabled	<input type="radio"/>	<input type="radio"/>	<input checked="" type="radio"/>	<input type="radio"/>	<input type="radio"/>	<input type="radio"/>	<input type="radio"/>	
Restart mode	5	Auto	<input type="radio"/>	<input type="radio"/>	<input type="radio"/>	<input checked="" type="radio"/>	<input type="radio"/>	<input type="radio"/>	<input type="radio"/>	
		Manual	<input type="radio"/>	<input type="radio"/>	<input type="radio"/>	<input checked="" type="radio"/>	<input type="radio"/>	<input type="radio"/>	<input type="radio"/>	
Muting Direction	6	T (bidirectional)	<input type="radio"/>	<input type="radio"/>	<input type="radio"/>	<input type="radio"/>	<input checked="" type="radio"/>	<input type="radio"/>	<input type="radio"/>	
		L (unidirectional)	<input type="radio"/>	<input type="radio"/>	<input type="radio"/>	<input checked="" type="radio"/>	<input type="radio"/>	<input type="radio"/>	<input type="radio"/>	
Muting Timeout	7	10 min	<input type="radio"/>	<input type="radio"/>	<input type="radio"/>	<input type="radio"/>	<input checked="" type="radio"/>	<input type="radio"/>	<input type="radio"/>	
		Inf.	<input type="radio"/>	<input type="radio"/>	<input type="radio"/>	<input type="radio"/>	<input checked="" type="radio"/>	<input type="radio"/>	<input type="radio"/>	
Muting Filter	8	ON	<input type="radio"/>	<input type="radio"/>	<input type="radio"/>	<input type="radio"/>	<input type="radio"/>	<input checked="" type="radio"/>	<input type="radio"/>	
		OFF	<input type="radio"/>	<input type="radio"/>	<input type="radio"/>	<input type="radio"/>	<input type="radio"/>	<input checked="" type="radio"/>	<input type="radio"/>	

TX Function list									
Function	LED #	Setting	LED Status						
			PWR	TST	SR	LT	CODE		
Range Selection	3	Long	<input type="radio"/>	<input type="radio"/>	<input checked="" type="radio"/>	<input type="radio"/>	<input type="radio"/>	<input type="radio"/>	<input type="radio"/>
		Short	<input type="radio"/>	<input type="radio"/>	<input checked="" type="radio"/>	<input type="radio"/>	<input type="radio"/>	<input type="radio"/>	<input type="radio"/>

8 FUNCTIONS

This chapter deals with all the functions of the light curtain.

8.1 RESTART MODE

An opaque object detected by the beams causes the switching of the OSSD outputs (i.e. the opening of the safety contacts - SAFE condition).

The restart mode allows the user to define how the light curtain returns in a Normal Operation condition.

The restart of the ESPE (i.e. the closing of the OSSD safety contacts - SAFE condition) can be carried-out in two different ways: Automatic or Manual Restart.

Automatic Restart: when an opaque object is detected, the ESPE enters in the SAFE condition. Then, after the object has been removed from the controlled area, the ESPE begins its normal functioning again.

The response time is the time between the object introduction in the protected area and the OSSDs achieving the OFF state (SAFE); the recovery time is the time within OSSDs go in the ON state (SAFE) after the object is removed.

These times depend on the light curtain length. Please refer to the tables in chapter **AVAILABLE MODELS AND RESPONSE TIMES** page 92 for further details.

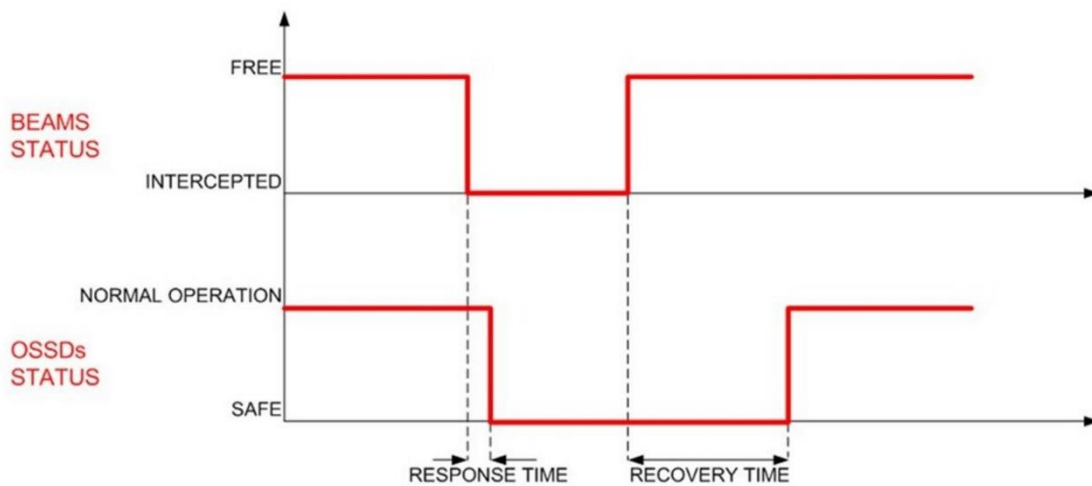
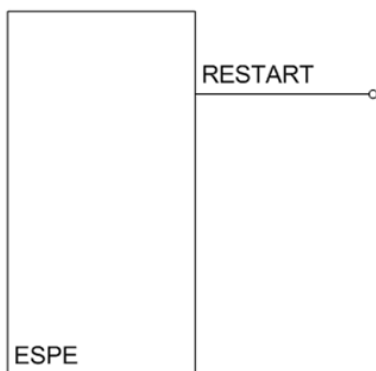


Fig 37 - Restart timings (auto)

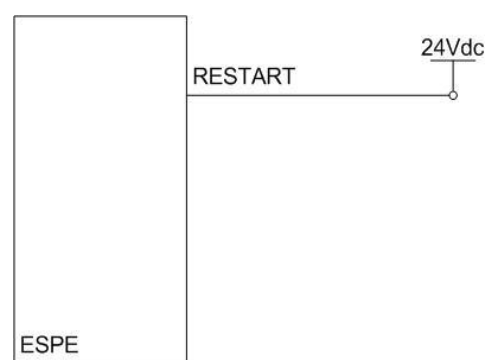
In Automatic Restart the RESTART input (pin 3 of M12-12 poles or pin or Pin 1 of M12-8 poles – RX side) has to be left floating on SG4-P models or connected to 24V on SG4-N models.

Please refer to paragraph 8.4 EDM for RESTART input connection when used in combination with EDM function on SG4-N models.

SG4-P Restart Connection (Auto)



SG4-N Restart Connection (Auto)



Manual Restart: after the ESPE has detected an opaque object in the controlled area, the light curtain begins its normal functioning only by pressing the Restart button (normal open push button) and after the object has been removed from the controlled area.

The RESTART push-button must be kept pressed for at least 500msec (100ms on SG4-N Models). When the RESTART push-button is released, the OSSD outputs switch to normal operation. A timeout greater than 5s on the high RESTART brings the ESPE in failure lockout.

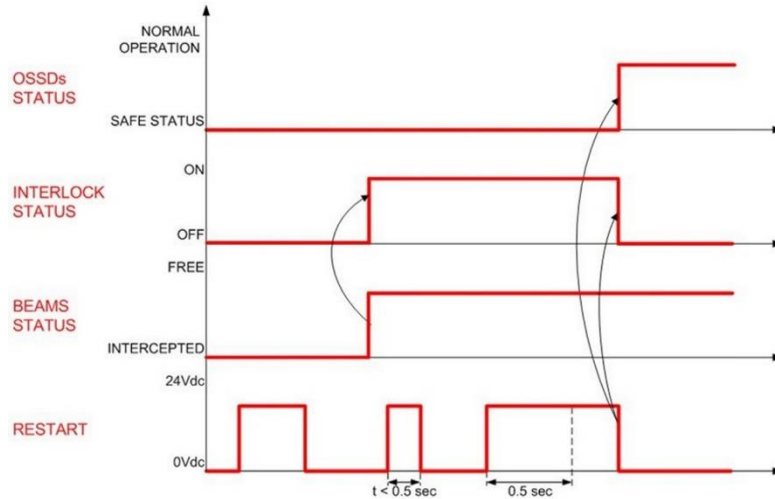


Fig 38 – SG4-P Restart timings (manual)

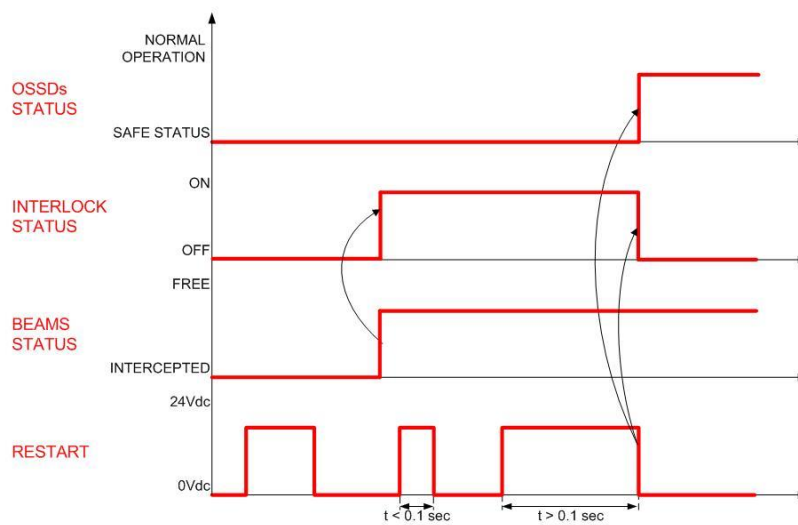
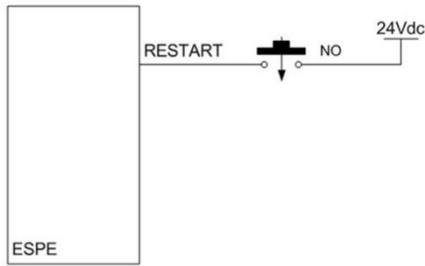


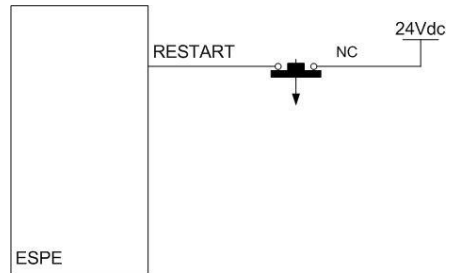
Fig 39 – SG4-N Restart timings (manual)

In Manual Restart the RESTART input (pin 3 of M12-12 poles or pin 1 of M12 8 poles – RX side) has to be connected to 24VDC through a normally- open contact for SG4-P models or a normally closed contact on SG4-N models. Please refer to paragraph 8.4 EDM for RESTART input connection when used in combination with EDM function SG4-...-N models.

SG4-...-P Restart Connection (manual)



SG4-...-N Restart Connection (manual)



Carefully assess risk conditions and reset modes. In applications protecting access to dangerous areas, the automatic reset mode is potentially unsafe if it allows the operator to pass completely beyond the sensitive area. In this case, the manual reset or, for example, the manual reset of the SE-SR2 relay (see ACCESSORIES page 98) is necessary.

Here below the way to select the restart mode is explained, both through push-button and the graphic user interface.

BCM Configuration: Restart Mode		PWR	OSSD	EDM	ACM	LEVEL
Auto	LED 5 ON Red	<input checked="" type="radio"/>	<input type="radio"/>	<input type="radio"/>	<input type="radio"/>	<input checked="" type="radio"/>
Manual	LED 5 OFF	<input checked="" type="radio"/>	<input type="radio"/>	<input type="radio"/>	<input type="radio"/>	<input type="radio"/>

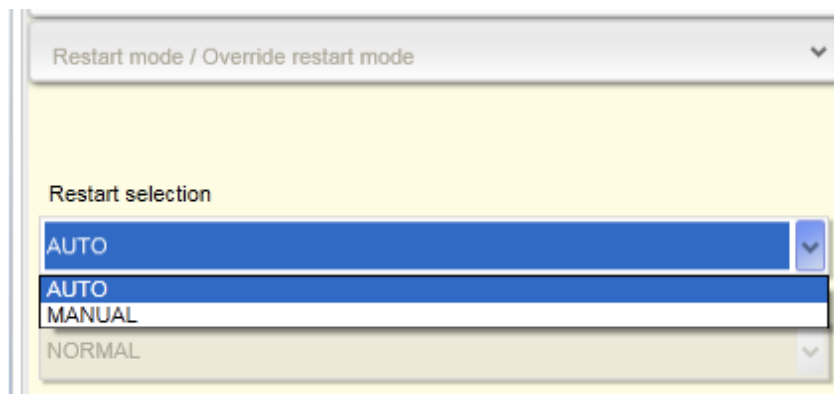


Fig 40 – ACM Configuration: Restart Mode

8.2 TEST

The TEST function can be activated by pressing the 24VDC normally-open push-button connected to TX unit TEST input (pin 2 of M12-5 poles) for at least 0.5 seconds.

The TEST disables the emission stage, so the RX side sees interrupted all beams and the OSSD goes low within response time.

As shown in the timing diagram below, the OSSDs go OFF (BREAK status) after 500msec (plus a cycle time) and after the response time of the light curtain.

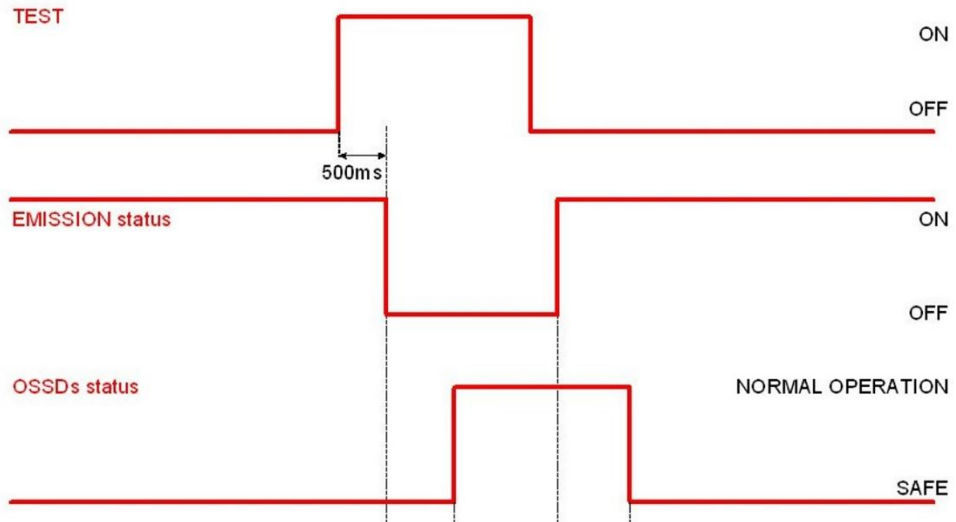


Fig 41 - Test timings

8.3 RESET

When ESPE locks into failure state user can go back to Normal Operation with a power cycle or using the activation of RESET function (non-critical failures only).

To activate RESET function the 24VDC normally-open button connected to RESET input (pin 3 of M12-8 poles – RX side) has to be kept pressed for at least 5 seconds in non-critical failure state.

For all critical failures a power cycle is necessary.

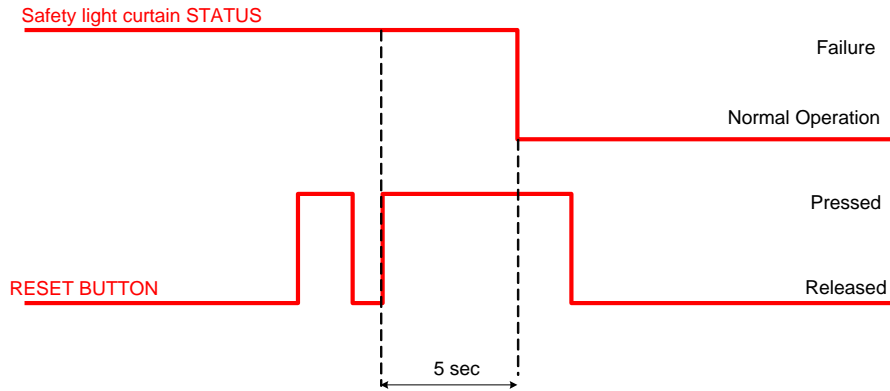


Fig 42 - Reset timings

If the error is not removed, the light curtain goes in lockout failure again.

8.4 EDM

The External Device Monitoring (EDM) function controls external devices by verifying the OSSDs status.

EDM enabled:

When EDM is enabled it is necessary to connect EDM input (pin 6 of M12-12 poles or pin 1 of M12-8 poles- RX) to a 24 VDC normally-closed contact of the device to be monitored.



In normal operation the third led switched on in the user interface indicates that this function is active.

The figure below shows how to connect the EDM input.

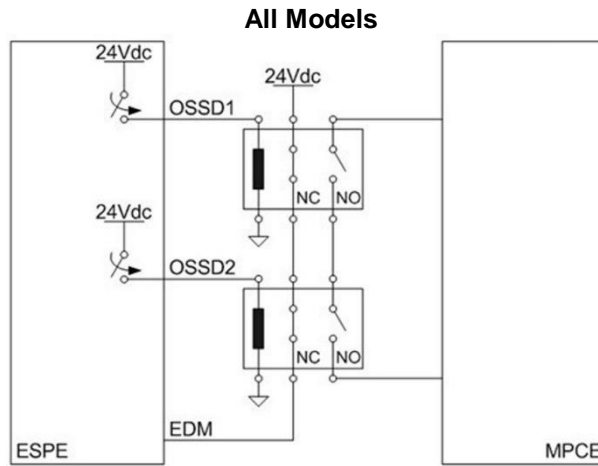


Fig 43 – EDM connection with automatic restart selected on SG4-N models

SG4-N Models (Manual Restart selected)

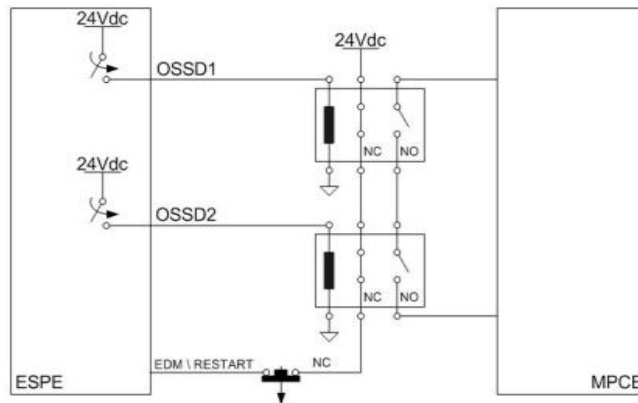


Fig 44 – EDM connection

The function controls the 24VDC normally-closed contact switching according to the changes of the OSSDs' status.

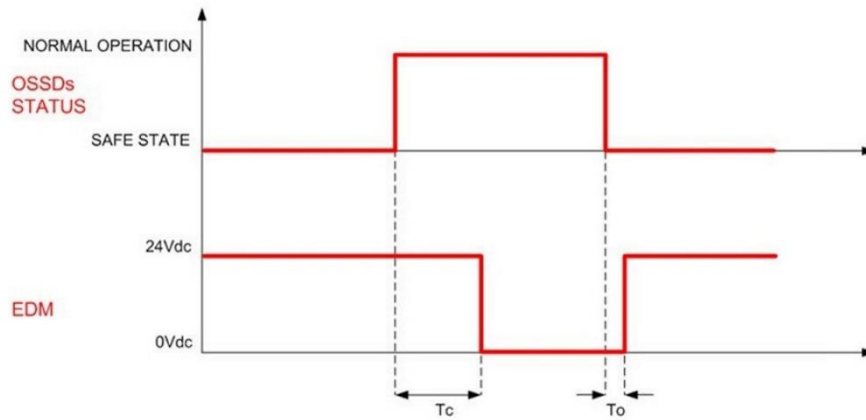


Fig 45 - EDM timings

The EDM status is antivalent with OSSDs': the timing diagram explains the relationship between the cause (OSSDs) and the effect (EDM) with the maximum permissible delay.

$T_c \leq 350$ msec (time between OSSD OFF-ON transition and EDM test)

$T_o \geq 100$ msec (time between OSSD ON-OFF transition and EDM test)

(two different times for the mechanical contact driven by a spring)

EDM disabled:

When EDM is disabled it's necessary to leave the EDM input floating for SG4-...-P models. Please refer to 8.1 RESTART MODE for EMD/RESTART line connection on SG4-...-N models.

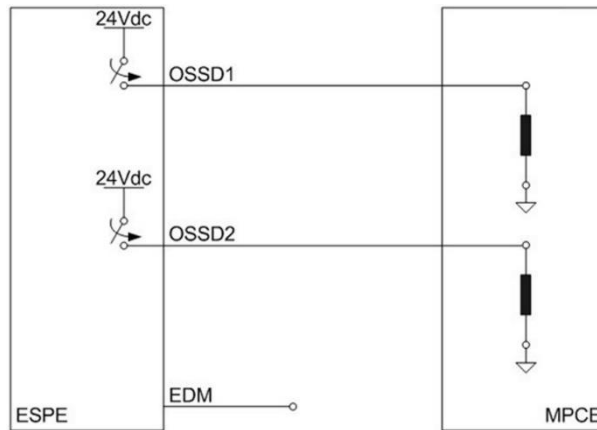


Fig 46 - EDM disabled

8.5 EDM SELECTION

This function lets the user to select or exclude the monitoring of the external switching devices.

		PWR	OSSD	EDM	ACM	LEVEL
Enabled	LED 4 ON Yellow	<input checked="" type="radio"/>	<input type="radio"/>	<input type="radio"/>	<input checked="" type="radio"/>	<input type="radio"/>
Disabled	LED 4 OFF	<input checked="" type="radio"/>	<input type="radio"/>	<input type="radio"/>	<input checked="" type="radio"/>	<input type="radio"/>

Fig 47 - BCM Configuration: EDM Selection

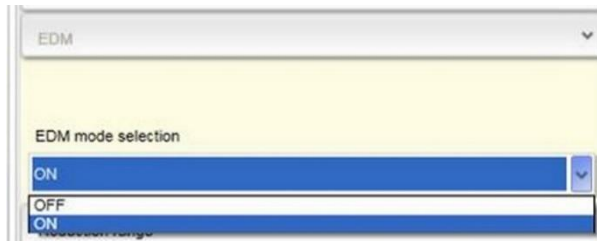


Fig 48 - ACM Configuration: EDM Selection

8.6 RANGE REDUCTION

This function allows the user to select the maximum operating distance at which the curtains can be mounted. When Long Range is selected on RX, if TX is configured as Long Range, the maximum operating distance is 20m (30mm resolution) and 7m (14mm resolution); if TX is configured as Short Range the maximum operating distance is 12m (30mm resolution) and 4m (14mm resolution).

When Short Range is selected on RX, if TX is configured as Long Range, the maximum operating distance is 6m (30mm resolution) and 2m (14mm resolution); if TX is configured as Short Range the maximum operating distance is 4m (30mm resolution) and 1m (14mm resolution).

Please refer to the table on the next page.

The user can select this function for RX side through ACM (SG4-...-P models only) and for TX side through BCM.

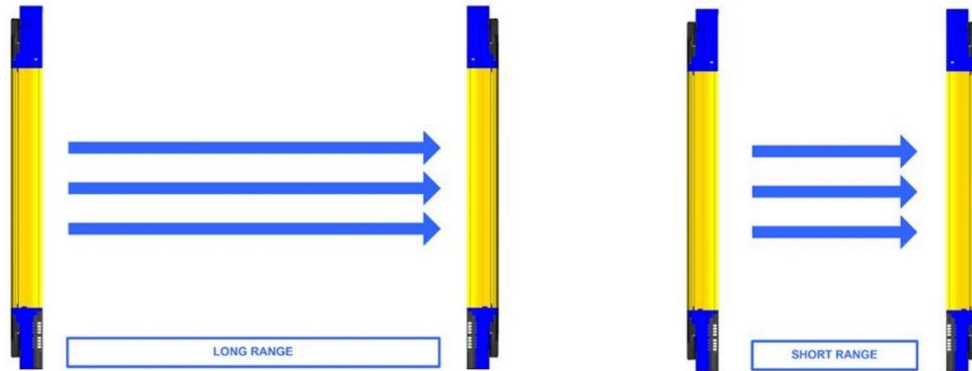


Fig 49 - Reduction range

		PWR	TST	SR	LR	CODE
Long	LED 3 ON Yellow	<input checked="" type="checkbox"/>	<input type="checkbox"/>	<input checked="" type="checkbox"/>	<input type="checkbox"/>	<input type="checkbox"/>
Short	LED 3 OFF	<input checked="" type="checkbox"/>	<input type="checkbox"/>	<input type="checkbox"/>	<input type="checkbox"/>	<input type="checkbox"/>

Fig 50 - BCM Configuration (TX side): Reduction Range

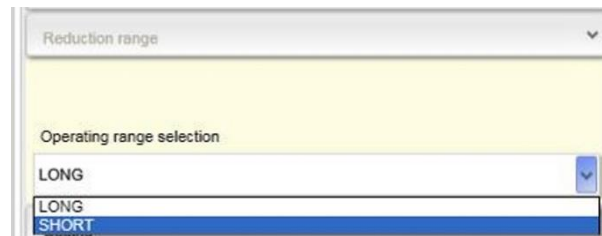


Fig 51 - ACM Configuration (RX side) : Reduction Range

In particular, if long range is selected TX and RX can be mounted at the maximum allowed operating distance; short range is indicated in those cases in which multiple couples of light curtains have to be mounted near and no code can be used.

Next tables resume, for both resolution, the different operating distances when the reduction range is changed.

Resolution 30mm	Long Range RX	Short range RX
Long Range TX	20	6
Short range TX	12	4

Resolution 14mm	Long Range RX	Short range RX
Long Range TX	7	2
Short range TX	4	1



SG4-...-N models only have RX Long Range.

8.7 MUTING

Muting function allows automatic deactivation of the safety function on the whole or part of protected height in order to carry out definite cyclical operations without blocking machine work.

As the pertaining safety requirements demand, ESPE is equipped with two Muting activation inputs, MUTING1 and MUTING2.

The Muting sensors must be able to recognise the passing material (pallets, vehicles, ...) according to material's length and speed.

In case of different transport speeds in the Muting area, it is necessary to consider their effect on the total Muting duration.

- The Muting function excludes the light curtain during functioning, maintaining active the OSSDs' outputs, according to particular operating requirements (see figures below).

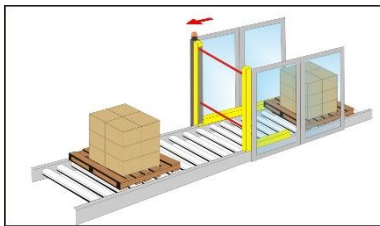


Fig 52 - L-shaped version with integrated Muting sensors for unidirectional Muting

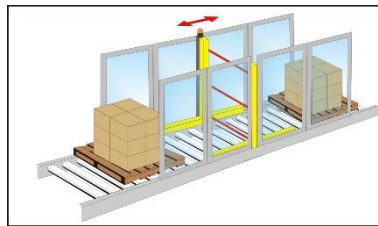


Fig 53 - T-shaped version with integrated Muting sensors for bidirectional Muting

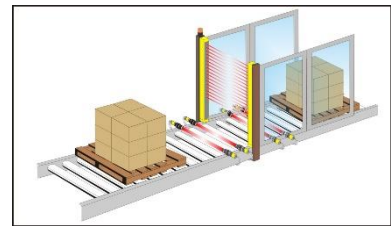


Fig 54 - Linear version with external Muting sensors

- The safety light curtain is equipped with two inputs (MUTING1 and MUTING2) for the activation of this function, according to the current Standards.
- This function is particularly suitable when an object, but not a person, has to pass through the dangerous area, under certain conditions.
- It is important to remember that the Muting function represents a forced condition of the system and therefore has to be used with the necessary precautions.
- If MUTING1 and MUTING2 inputs are activated by two Muting sensors or actuators, these should be correctly connected and positioned in order to avoid undesired Muting or potentially dangerous conditions for the operator.
- MUTING1 and MUTING2 can't be activated simultaneously.
- State of Muting is signaled by an external Muting Lamp (that can be connected to the light curtains with the pin 10 of the M12-12 poles connector) and by some LEDs on the user interface. When the Muting function is ON the LAMP and the LEDs begin to blink.
- During the installation make sure to place the lamp in a position as visible as possible.
- If the external lamp is broken and/or not connected, the Muting request causes a SAFE lockout condition and the corresponding failure is signaled.
- If both first and last beams are intercepted by the passing material the light curtain recovery time may be longer. A material moving faster than 1 m/s could lead light curtain to switch in OFF-state at the end of Muting sequence.



Select carefully the configuration, as a wrong configuration can cause the incorrect functioning of the Muting function and a reduction of the safety level. For correct use of Muting, please refer to the relevant reference standards.

The Muting sensors must be positioned in such a way that the activation of the Muting function is not possible with the accidental passing of a person. Particular attention must be paid to the use of the one-way L-Muting mode: the external Muting sensors or the SG-L-ARMS V2 Muting arms must be positioned so as to allow the passage of the material coming out of the dangerous area protected by the light curtain.

8.7.1 Muting function disable (SG4-P Models)

During light curtain operations Muting function can be dynamically disabled or enabled: when disabled no valid Muting request will be accepted at the MUTINGX inputs and safety function will always be on.

The user can disable the Muting function at runtime by setting a high level on the signal MUTING DISABLE (pin 7 of the M12-12 poles connector).

8.7.2 Muting signaling devices

In order to make use of Muting function, it is compulsory to connect a dedicated signaling device (lamp); without it the light curtain goes in failure lock-out state.

Both incandescent and LED lamps are allowed. In case of use of LED lamp, take care to connect it respecting the right polarity.

A Lamp TEST is executed cyclically when the lamp is lighted on in order to guarantee the detection of lack of functionality.

If a lamp break is detected, ESPE goes in Lamp Failure Lock-Out state and shows the related message on the display (refer to **TECHNICAL DATA page 91** for information about the lamp).

8.7.3 Typical Muting application and safety light curtain connection

The figure shows a typical Muting application: a protection installed on a conveyor should allow the pack passing-by but not the worker.

The ESPE temporarily suspends its safety function on a correct activation sequence of A1, B1, A2, B2 sensors.

These sensors can be optical, mechanical, proximity sensors etc., with high output PNP when the object is detected.

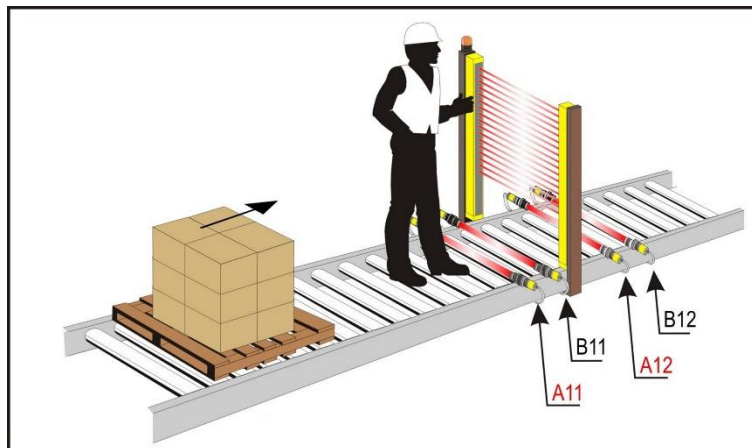


Fig 55 - Typical Muting Application

8.7.4 Muting direction

The ESPE can be used with both bidirectional (T type, four sensors) and monodirectional (L type, two sensors) Muting.

Bidirectional Muting can be used in those applications in which the packs can move in both directions and monodirectional Muting can be used in those applications in which the packs move in one direction only.

In BCM the maximum activation delay between MUTING1 and MUTING2 (T12max) is 4 sec.

Muting T

In T type operations the device enters Muting function if the input MUTING2 goes high within a fixed T12max after the rise of MUTING1 (or vice versa).

The Muting function ends as soon as the signal on MUTING1 or MUTING2 goes low.

A further custom Muting Exit delay (Tdelay) may be set by the user in a 0-1000 ms range.

For SG4-...-OO-N models, Tdelay is fixed at 1000 ms when activated in BCM configuration.

The maximum activation delay between MUTING1 and MUTING2 (or vice versa) can be set by the user from a minimum of 1 sec to a maximum of 16 sec (T12max).

After this time if the user wants to enter in Muting has to deactivate the Muting input and start the sequence from the beginning.

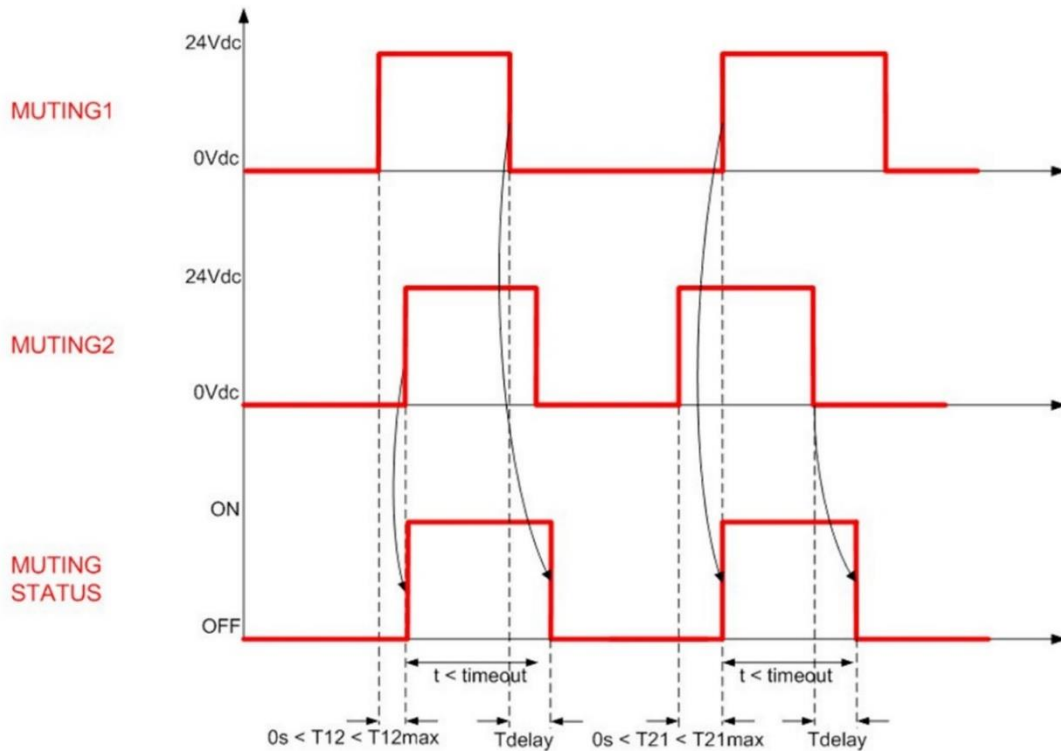


Fig 56 - T Muting timings

The sensors named A1/A2 are connected to the same Muting input (MUTING1) and the sensors named B1/B2 are connected to MUTING2.

The sensors that end with “1” are on the same side of the light curtain and are on the opposite side of the sensors that end with “2”.

“D” is the distance at which the sensors A1/A2 or B1/B2 have to be mounted; it depends on the package length (L):

$$D < L$$

“d1” is the maximum distance between the Muting sensors; it depends on the package speed (V):

$$d1max[cm] = V[m/s] * T12[s] * 100,$$

“d2” is the maximum distance for the Muting request to be accepted; it depends on the package speed (V):

$$d2max[cm] = V[m/s] * T12[s] * 100,$$

where “T12” is the activation delay between MUTING1 and MUTING2 that is selectable by the user by means of ACM.

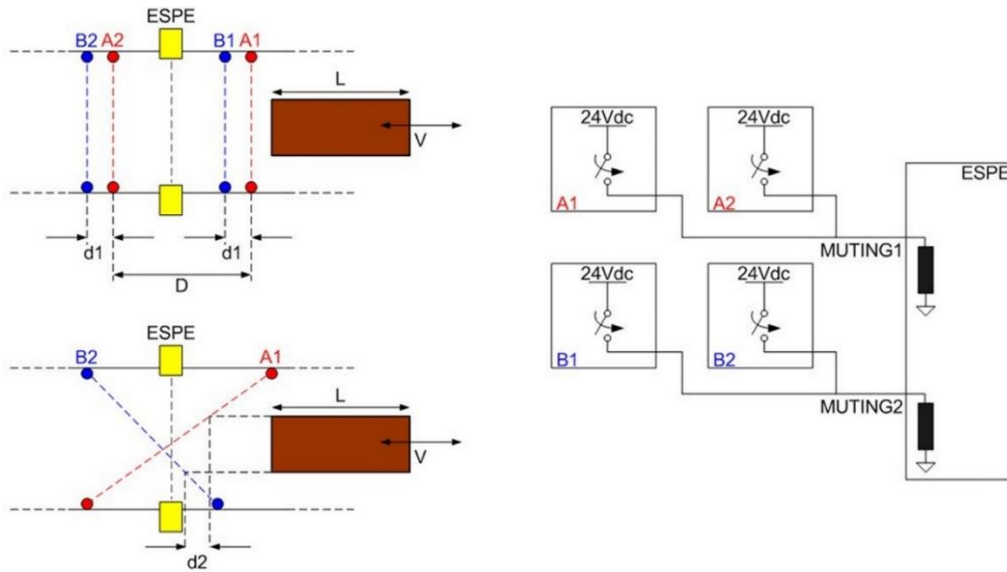


Fig 57 - Muting T connection

Muting L

In L type operation the device enters Muting function if the inputs go high in a particular order: MUTING1 has to activate first, then MUTING2 can activate; if MUTING2 activates before MUTING1, the device doesn't enter the Muting function.

“T12” is the activation delay between MUTING1 and MUTING2 that is selectable by the user by means of ACM. The Muting function ends after a time that is a multiple of the activation delay between the two sensors (this time is $m \times T12$). The value of “m” (T12 multiplier) can be chosen by the user. In BCM this value is 2 by default. The maximum activation delay between MUTING1 and MUTING2 can be set by the user from a minimum of 1 sec to a maximum of 16 sec.

After this time, to enter in Muting the user has to deactivate the Muting input and start the sequence from the beginning.



Muting L must be used exclusively to allow the passage of the material coming out of the dangerous area protected by the light curtain.

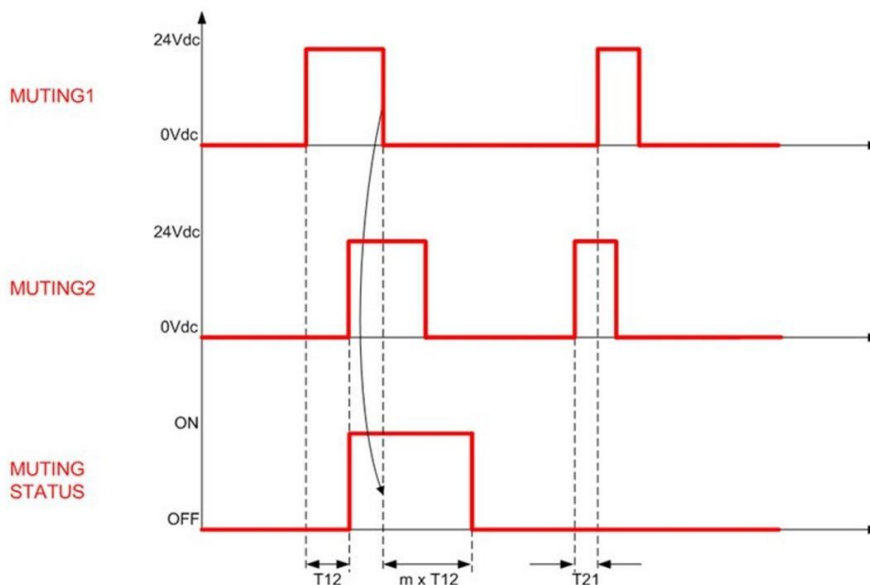


Fig 58 - Muting L timings

The sensor named A is the farthest from the light curtain, so its beam is intercepted first. Referring to the next figure, since the pack goes from right to left only, B sensor can't be intercepted first; if this happens the device doesn't enter Muting function.

"V" indicates a constant speed. As a consequence, "d1" is fixed according to the following formula:

$$d1[cm] = V[m/s] * T12[s] * 100$$

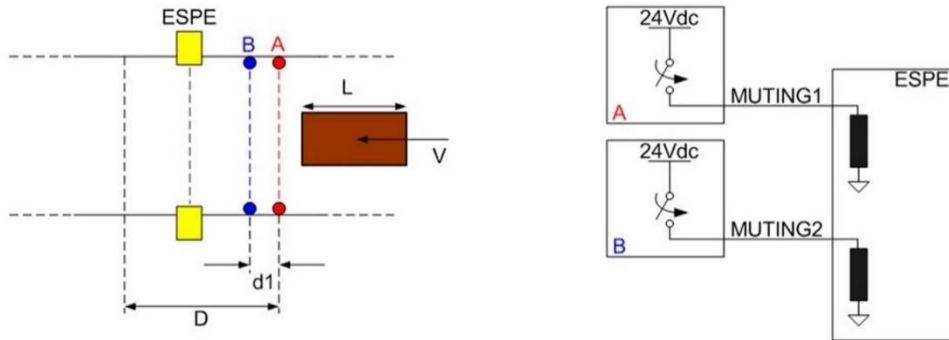


Fig 59 - Muting L connection

		PMR	OSSD	EDM	ACM	LEVEL
T (bidirectional)	LED 6 ON Green	●	●	●	●	●
L (monodirectional)	LED 6 OFF	●	●	●	●	●

Fig 60 - BCM Configuration: Muting Direction

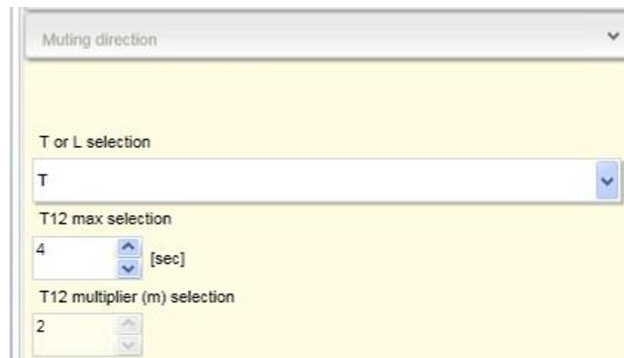


Fig 61 - ACM Configuration: Muting Direction

8.7.5 Muting timeout

Muting timeout is a time that defines the maximum duration of Muting function; after the timeout the Muting ends.

This time can be set from the user in both BCM and ACM mode.

In BCM mode the user can select a timeout of 10 minutes or infinite; “infinite” means that Muting timeout could never end: if the conditions of Muting persist, the Muting function continues to exist.

This is not compliant with the EN 61496-1: 2013 standard and the user is warned about it.

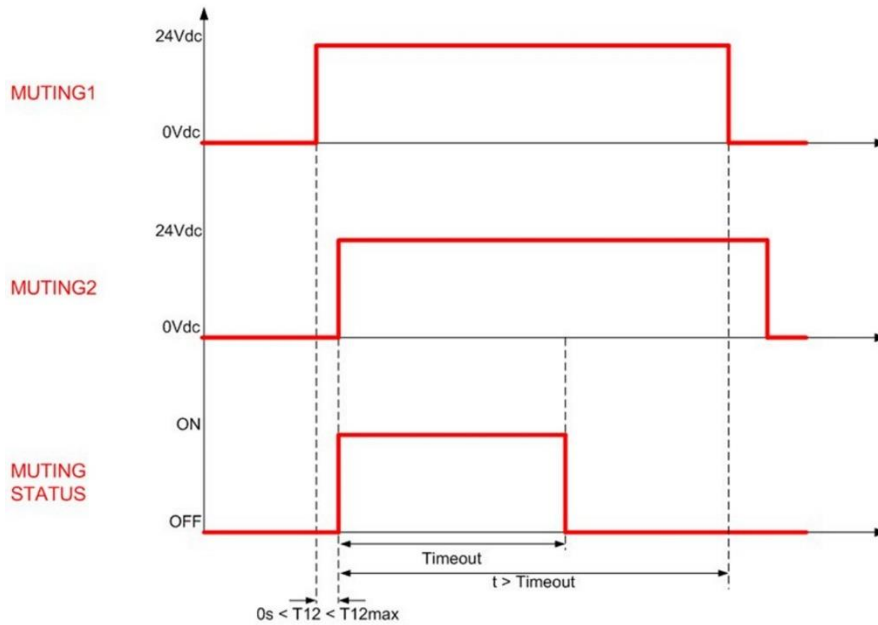


Fig 62 - Muting timeout

In ACM mode, the user can personalize the timeout from 10 minutes to 1080 minutes (that correspond to 18 hours) with steps of 1 minute; the user can even set infinite timeout.

In this case there's a warning that alerts the user that this timeout is not EN 61496-1: 2013 compliant.

		PWR	SSD	EDM	ACM	LEVEL
10 min	LED 7 ON Green	●	●	●	●	●
infinite	LED 7 OFF	●	●	●	●	●

Fig 63 - BCM Configuration: Muting timeout

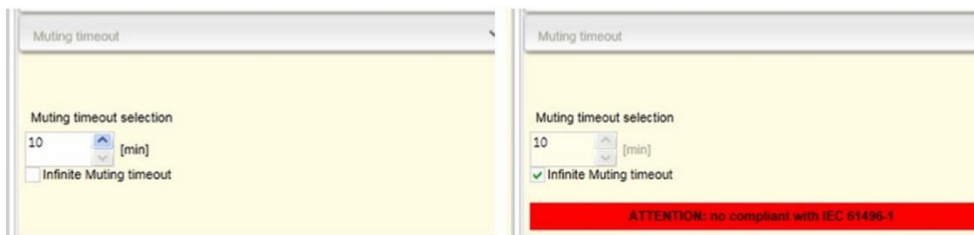


Fig 64 - ACM Configuration: Muting timeout



Infinite is not EN 61496-1: 2013 compliant thus the user is warned about it.

8.7.6 Muting filter

This function avoids undesired activations of the Muting. The Muting filter is a filter on Muting inputs; low-high or high-low transitions of MUTING signals are considered valid only if maintained for a time (T_f) greater than 100ms. If this function is disabled the logical level of the Muting sensors corresponds to the wire level.

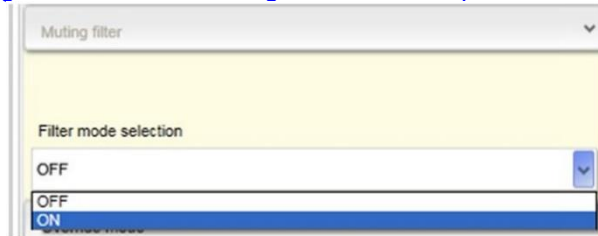


Fig 65 - ACM Configuration: Muting Filter

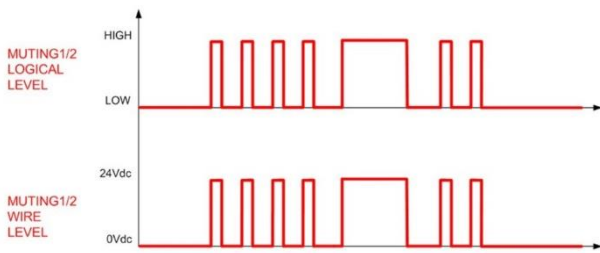


Fig 66 - Muting filter disabled

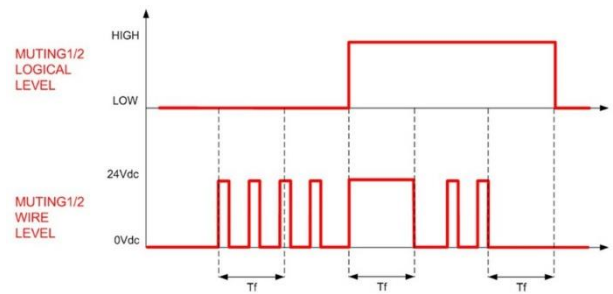


Fig 67 - Muting filter enabled

For SG4-N models Muting Filter can be set in BCM mode as follows:

			PWR	OSSD	EDM	ACM	LEVEL
Muting Filter	8	ON	<input type="radio"/>	<input type="radio"/>	<input type="radio"/>	<input type="radio"/>	<input checked="" type="radio"/>
		OFF	<input type="radio"/>	<input type="radio"/>	<input type="radio"/>	<input type="radio"/>	<input type="radio"/>

8.7.7 Partial Muting

It's possible to configure the type of Muting: total or partial.

Partial Muting can be useful in those applications in which the user wants to limit the Muting function effects to selected zones only.

In ACM Configuration the user can select a maximum of 5 Muting zones, each defined with the following parameters:

- **Position:** first beam of Muting zone (starting from user display cap)
- **Dimension:** number of beams of Muting zone

ACM Configuration: Partial Muting Selection

Total / Partial Muting

Partial Muting

Check "Partial Muting" to enable function.

+
X
+

Click "+" button to add a new Muting zone, X to remove a selected one

Choose correct parameters for selected zone. Both Dimension and Position are set in beams unit, equivalent measures in mm are exposed by GUI.

For SG4-N models Partial Muting can be configured in BCM mode according to following table:

Partial Muting Selection			
Muting zone	LED #	LED PWR OSSD EDM ACM LEVEL	ESPE Zones
A	Led 2 OFF Led 3 OFF		
A+B	Led 2 ON Green Led 3 OFF		
A+B+C	Led 2 ON Red Led 3 OFF		
<p>A = L / 4 A+B = L / 2 A+B+C = L</p>			

8.8 OVERRIDE FOR SG4-P

Override function allows the user to force safety function deactivation whenever it's necessary to restart the machine despite one or more ESPE beams are intercepted.

The aim is clearing protected area of any working materials blocked ahead of ESPE because of (i.e.) a cycle anomaly.

Override redundant inputs have to be connected to a 24VDC normally-open contact and to a GND normally-open contact.

As the pertaining requirements request ESPE is equipped with two Override activation inputs: OVERRIDE1 and OVERRIDE2 (respectively, pin 4 of the M12-12 poles connector and pin 9 of the M12-12 poles connector – RX).

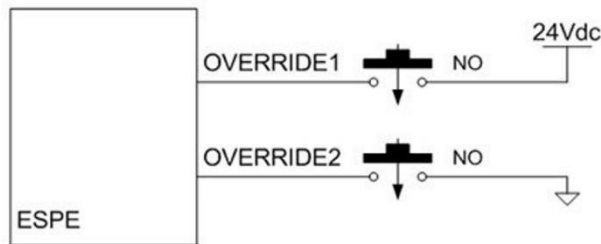


Fig 68 - Override connection

Necessary condition for override request to be accepted is: ESPE in SAFE state and at least one Muting sensor intercepted.

When such condition is verified user interface visualizes “override attention status” with both red OSSD led and alignment leds blinking.



Fig 69 - Override attention status

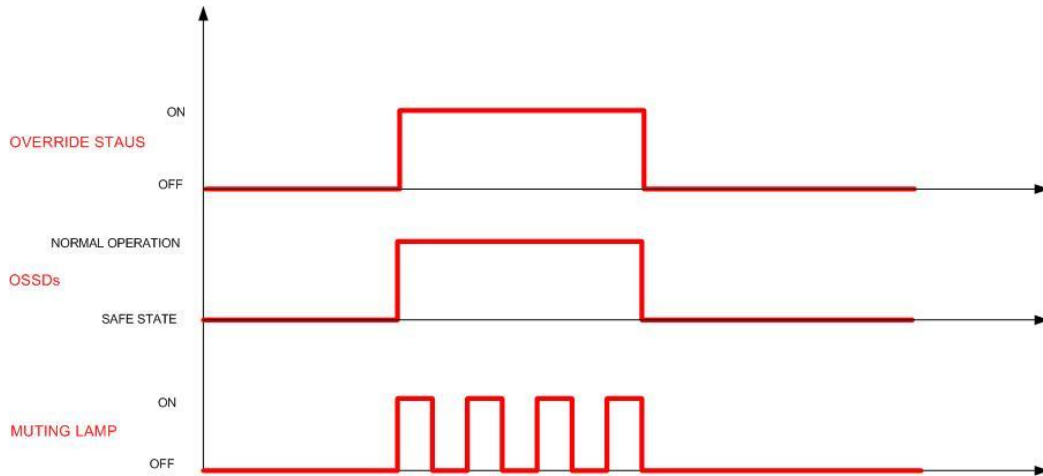
Then, an override request is accepted only if signals at OVERRIDE X inputs follow the timings shown hereafter.

Override function will automatically end when one of the following conditions is present:

- all the Muting sensors are deactivated (in a T-Muting configuration)
- all the Muting sensors are deactivated AND no beams are intercepted (in a L-Muting configuration)
- the pre-determined time limit has expired
- the requirements for actuation aren't met anymore (for example, one override input is deactivated)

8.8.1 Override status

SG4-P models provide Override Status digital output on pin 11 of M12 – 12 poles when used in Muting configuration. This output goes high (24V) when light curtain Override status is active along with Muting Lamp blinking.



8.8.2 Override mode

It's possible to configure the trigger of override inputs: Level or Edge.

As explained in diagrams below two types of override trigger sequence are accepted on external inputs:

- **Level Trigger:** override engaged until both contacts are closed AND at least one Muting sensor is intercepted.

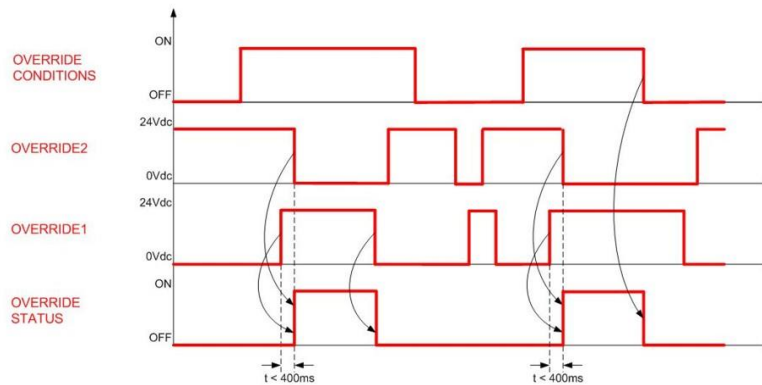


Fig 70 - Override timings (level trigger)

- **Edge Trigger:** override engaged on contacts closing until at least one Muting sensor is intercepted. In this case the override state rests even if the override contacts are released. The device exits the override state when one of the following events happens:
 - the Muting sensors are deactivated (T-Muting) or the Muting sensor are deactivated AND no beams are intercepted (L-Muting)
 - the timeout expires



In such a case reactivation of normal operation could be not monitored by an operator thus becoming virtually dangerous. Please consider any possible risk and take necessary counter-measures if edge override is selected.

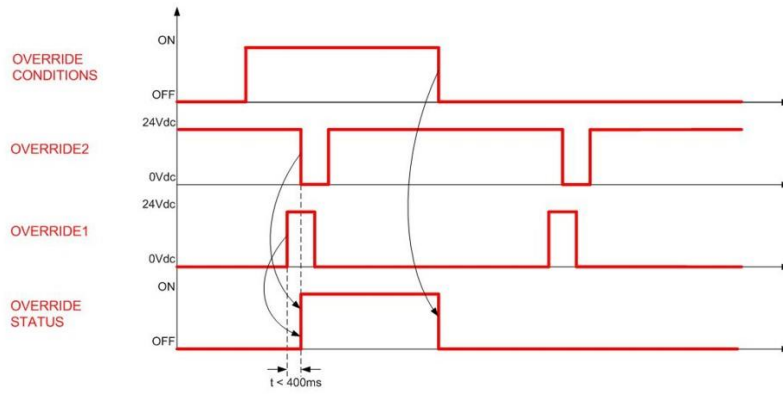


Fig 71 - Override timings (edge trigger)

		SW1	SW2	SW3	SW4	SW5	LEVEL
Level	LED 8 ON Green	●	●	●	●	●	●
Edge	LED 8 OFF	●	●	●	●	●	●

Fig 72 - BCM Configuration: Override Mode

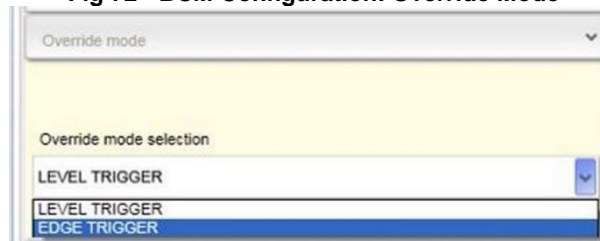


Fig 73 - ACM Configuration: Override Mode

8.8.3 Override timeout

BCM mode

In both modes Override status timeout is 120s: if Override conditions remain active and both Override contacts remain closed (this condition only in Level Trigger Mode) more than 120s, the Override goes low in any case after a maximum of 120s.

ACM mode

Override timeout is the maximum duration of override. This time can be chosen by the user from a minimum of 1 minute to a maximum of 256 minutes.

After timeout the override ends even if the conditions for its activation are still existing and the override inputs are active.

OVERRIDE STATUS is an output signal that informs the user if the override inputs are active with override conditions present.

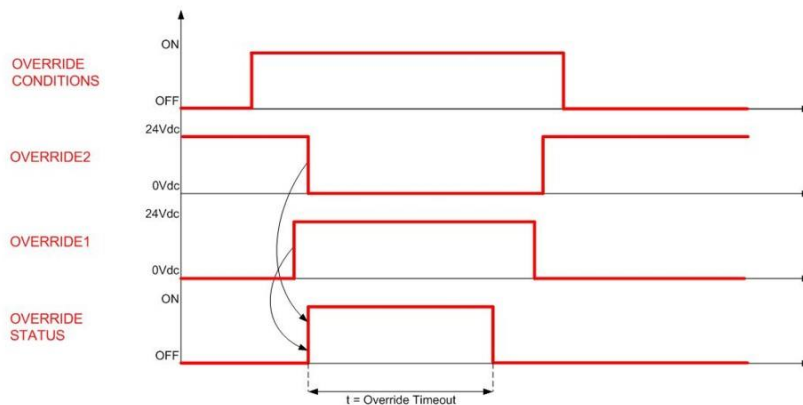


Fig 74 - Override timeout timings



Fig 75 - ACM Configuration: Override Timeout

8.8.4 Override restart

This kind of selection can be achieved only if the light curtain is in Manual Restart; the user can select the type of Override Restart: Normal or Auto.

The user has to connect the RESET/RESTART/ALIGN input (pin 3 of M12-12 poles – RX side) to a 24VDC normally-open contact.

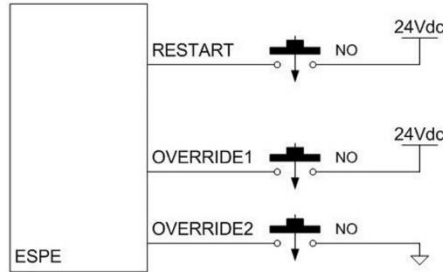


Fig 76 - Override restart connection

Auto Override restart

When override ends if the beams are free the OSSDs remain in normal operation state.

OVERRIDE STATUS is an output signal that informs the user if the override inputs are active with override conditions present.

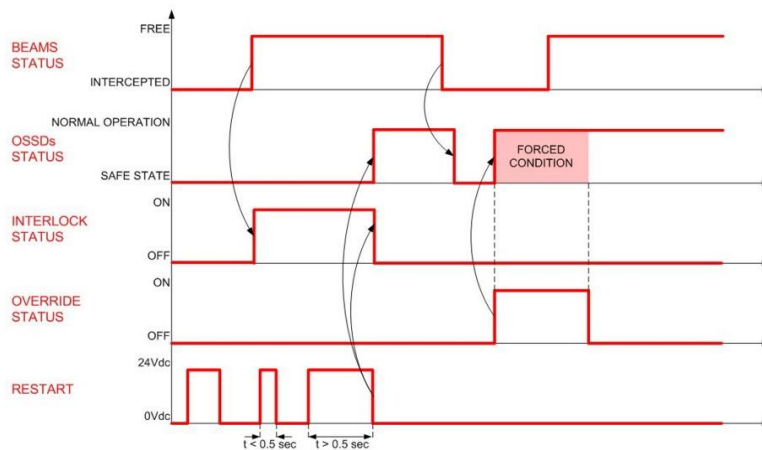


Fig 77 - Override restart timings (auto)



Fig 78 - ACM Configuration: Auto Override Restart Selection



This selection is not compliant with EN 61496-1: 2013 and the user is warned about it.

Normal Override restart

When override ends if the beams are free the ESPE goes to interlock state and a restart is required to achieve normal operation state.

The OSSDs go in normal operation state after the RESTART signal goes low, and not after 500msec. A timeout of 5s on the high RESTART brings the ESPE in failure lockout.

The outputs go high after a time that is the maximum value between the recovery time and the time of restart high (greater or equal to 500msec), so this time can be any value between 500ms and 5s.

OVERRIDE STATUS is an output signal that informs the user if the override inputs are active with override conditions present.

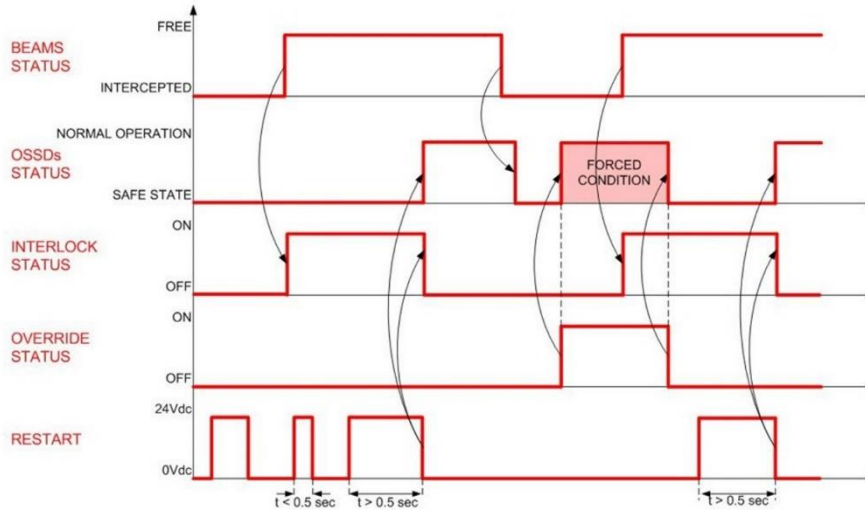


Fig 79 - Override restart timings (normal)



Fig 80 - ACM Configuration: Normal Override Restart Selection



This selection is not compliant with EN 61496-1: 2013 and the user is warned about it.

8.9 OVERRIDE FOR SG4-N

8.9.1 Override function activation



To start override, the OSSD outputs must be switched off and at least one beam must be interrupted.

- If the entire detection zone is free for more than 2 s, the override function is immediately deactivated.
- The maximum timeout for the override function is 600 s.
- The standard requires the use of a device like a hold-to-run device so that it is impossible to enter the hazardous zone while maintaining the action on the device.
- When the Override function is on, the lamp output (pin 8) is driven.
- If the external lamp is broken and/or not connected, the override request causes the AOPD to enter Error mode and the OSSD outputs to switch off. The corresponding error is indicated.

8.9.2 Override at start-up

- Switch off the power supply.
- Restore the power supply and press the RESET button after approx. 5 s but within 9 s and keep it pressed for at least 5 s. The OSSD outputs switch on and remain activated for a maximum time of 600 s.
- The override function is now activated and the integrated lamp flashes. So does the external lamp if connected.



If the AOPD is in Automatic Reset, the OSSD outputs remain on after the end of the override.

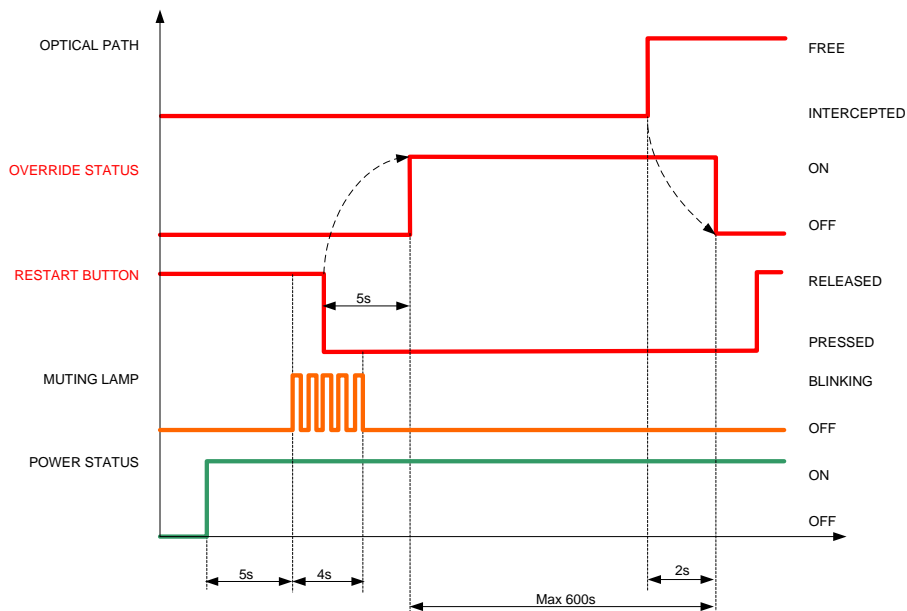


Fig 81 - Startup Override activation and timings

8.9.3 Override at run time

- One or both muting inputs must be active.
- Press and release the RESET button 3 times < 1 s. The OSSD outputs will be activated for more than 2 s and 600 s max.
- The override function is now activated and the external muting lamp flashes.



If the AOPD is in Automatic Restart, the OSSD outputs remain on after the end of the override.

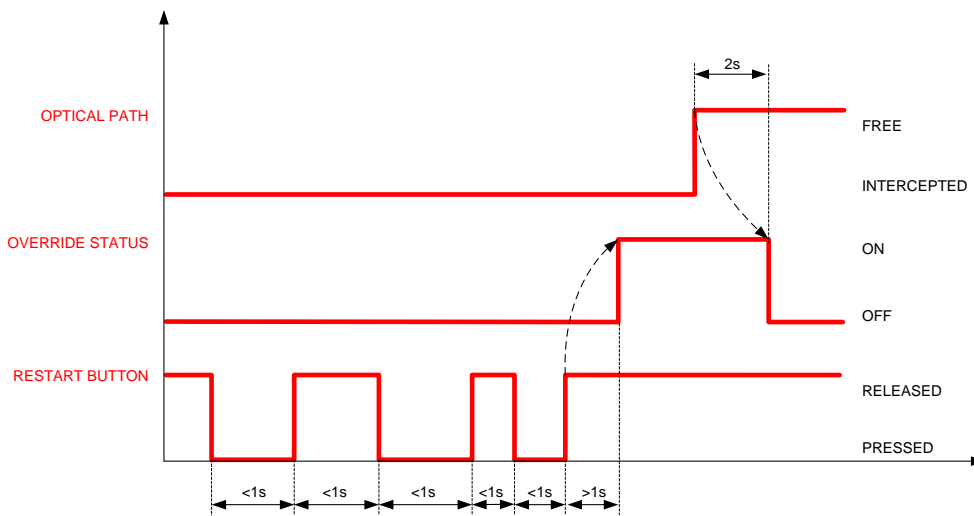


Fig 82 - Runtime Override activation and timings

8.9.4 Blanking (SG4-P)

Blanking is an auxiliary function of safety light curtains for which the introduction of an opaque object inside parts of the light curtain’s controlled area is allowed without stopping the normal functioning of the machine. Blanking is only possible in the presence of determined safety conditions and in accordance with a configurable operating logic.

The blanking function is therefore particularly useful when light curtain’s controlled area must be inevitably intercepted by the material being worked or by a fixed or mobile part of the machine.

In practice, it is possible to keep light curtain’s safety outputs in a normal operation condition and the machine working, even if a pre-determined number of beams within the controlled area is being intercepted.

The user can even connect a lamp (whose characteristics are reported in **TECHNICAL DATA page 91**) to indicate that a blanking function is active.

The use of the lamp is not mandatory for a light curtain in blanking mode.

The lamp begins to blink in the following cases:

- the light curtain is in any fixed blanking mode and the object is removed from the blanked zone
- the light curtain is in floating mode with total surveillance and the dimension of the taught object changes or the object is removed from the blanked zone.

To activate all blanking functions Blanking Operation can be selected either in BCM or in ACM.

		PMR	OSSD	EDM	ACM	LEVEL
Muting	LED 3 ON YELLOW	<input checked="" type="radio"/>	<input type="radio"/>	<input checked="" type="radio"/>	<input type="radio"/>	<input type="radio"/>
Blanking	LED 3 OFF	<input checked="" type="radio"/>	<input type="radio"/>	<input checked="" type="radio"/>	<input type="radio"/>	<input type="radio"/>

Fig 83 - BCM Configuration: Muting/Blanking Selection



Fig 84 - ACM Configuration: Muting/Blanking Selection

Blanking function can be realized in two different modes: fixed blanking and floating blanking. These two modes can be enabled individually or contemporaneously.

8.9.5 Fixed Blanking

Fixed Blanking allows a fixed portion of the controlled area (i.e. a fixed set of beams) to be occupied, while all the other beams operate normally.

The blanking zone can be obtained through a Teach-in operation: the user has to keep pressed the 24VDC normally-open contact of Teach-in (pin 4 of M12-12 poles - RX) for at least 3 seconds while an object intercepts the area to be blanked. The blanking zone becomes active after the Teach-in contact has been released.

If Teach-in contact is kept pressed for a time greater than 1 minute the light curtain goes in a lockout failure.

The Teach-in operation can be performed in ACM too. The user has to place the object(s) within the protected area and press the button "Teach-in" (in "Reduced resolution / Blanking" in the blanking section of the GUI).

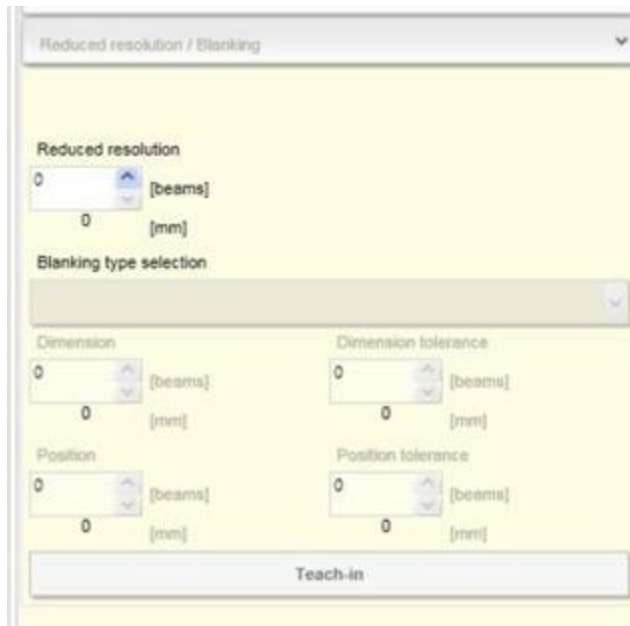


Fig 85 - ACM Configuration: Teach-in operation

In Fixed Blanking the beams of the blanked zone have to remain intercepted, otherwise the light curtain goes in SAFE state.

The Tolerance function can be activated by keeping pressed at startup the 24VDC normally-open contact on Tolerance signal (pin 9 of M12-12 poles - RX). With Tolerance active the object can move 1 beam above or below the blanking zone. If object moves more than 1 beam out of the blanking zone ESPE locks-out in Blanking Tolerance Fault.

Tolerance function is useful if there is the possibility that the object can have little movements from its initial position. If the light curtain is switched off the Tolerance is lost and a new Tolerance operation (described here above) is necessary.

With Tolerance active at least two not blanked beams must separate two blanking zones.

Teach-In Configuration is kept on both power disconnection and ESPE Reset, till next Teach-In.

The user can erase the Teach-In Configuration by making a new Teach-in operation with the controlled area free from objects.

On a Blanking Faults Teach-in configuration gets erased after Reset.

If the user changes configuration from blanking to Muting and then blanking again, every possible Teach-in zone stored at the beginning is cancelled.

Fixed Blanking can be combined with floating blanking; at least one sync beam must be free.

8.9.6 Fixed Blanking with increased tolerance

This is a fixed blanking with the tolerance only on one side of the blanking zone, so the user has to choose a “tolerance top” or a “tolerance bottom”.

This function is useful for conveyors (that use fixed blanking) with goods moving on them (with a dimension within the tolerance).

Only fixed blanking zones can be set on the side of the tolerance; on the other side fixed blanking or floating blanking with total surveillance zones are allowed.

Only one zone can be set as fixed blanking with increased tolerance.

This function can be set only by means of ACM.



Tolerance affects effective ESPE resolution.

8.9.7 Floating Blanking with total surveillance

Floating Blanking with total surveillance allows the object to move freely inside the light curtain’s controlled area. The blanked beams must be occupied and therefore the object has to be inside the controlled area of the light curtain to remain in normal operation state.

This function can be set only by means of ACM.

8.9.8 Floating Blanking with partial surveillance

Floating Blanking with partial surveillance allows the object to move freely inside the light curtain’s controlled area, occupying till a given number of beams, at the condition that the occupied beams are adjacent and that their number is not higher than the configured one.

In this mode, the object may be removed from the controlled area.

This function can be set only by means of ACM.

In the figure below the different blanking configurations can be seen.

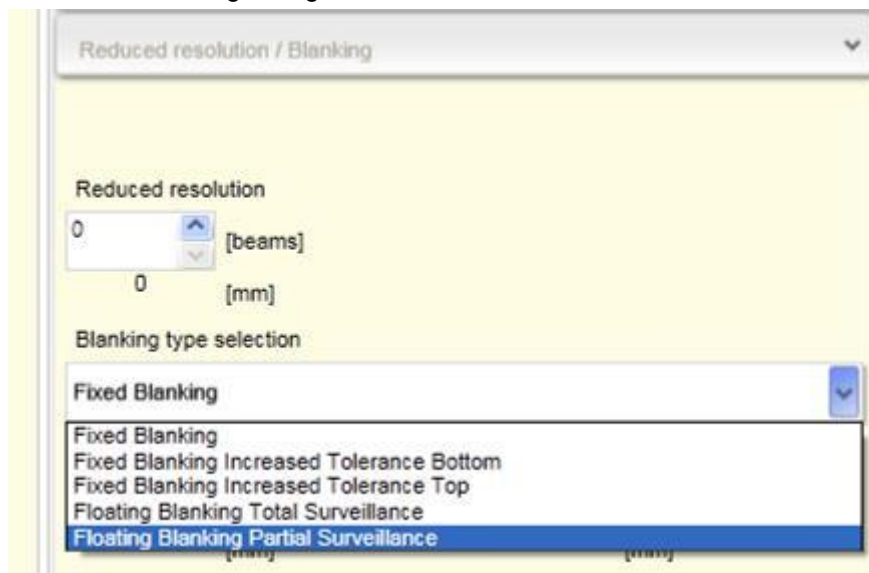


Fig 86 - ACM Configuration: Blanking configuration

8.9.9 Reduced resolution

Reduced Resolution is a particular kind of floating blanking in which more than one object can intercept each a defined number of beams with the ESPE remaining in normal operation.

The number that follows indicates how many adjacent beams can be intercepted by the object to allow the light curtain to remain in Normal Operation. For example, with Reduced Resolution 2 the object intercepts 1, 2 or no beams and the light curtain remains in Normal Operation.

This function can be set only by means of ACM.



This function affects the effective resolution of the light curtain and the user is warned about it.



Fig 87 - Reduced resolution

8.9.10 Dimension

This value indicates the size of blanking zone.

This function can be set only by means of ACM.

8.9.11 Position

This value indicates the first beam of the blanking zone, starting from the bottom of the ESPE (the bottom of the ESPE is the side with the LEDs and the push buttons).

Since in floating blanking configuration zones haven't a fixed position, it is valid only in fixed blanking.

This function can be set only by means of ACM.

8.9.12 Tolerance

There are 2 types of tolerance: position and dimension.

Position Tolerance

It indicates the number of beams in blanking zone that can be intercepted above and below the blanking zone without making the OSSDs switch off.

In presence of wide vibrations, it is useful to use this function in order to avoid the changing of the OSSDs' status.

Dimension Tolerance

It indicates how many beams the object can be smaller than the number fixed by the value Dimension. It's a negative quantity.

It is useful when an object intercepts half optic; in this case a little vibration can make the OSSDs change status.

Tolerance can be selected via wire or ACM.

When enabled via wire (pin 9 of M12 12-pole connector connected to 24V), a position tolerance of 1 beam and a dimension tolerance of -1 beam is configured.

ACM setting overrides these values and Tolerance wire input is disabled.

If the user wants to select this function with ACM, he must have at least one blanking zone; then they can choose Position or Dimension Tolerance. Next tables show the different cases on a blanking zone of 3 beams.

If the light curtain is configured with ACM it doesn't take care if the Tolerance has been selected by means of Tolerance wire (pin 9 of M12-12 poles - RX).

The presence of the tolerance is indicated with the blinking of some LEDs in the user interface as shown below.

		PMIR	OSSD	EDM	ACM	LEVEL
Tolerance active	LED 3 blinking YELLOW					

Fig 88 - Tolerance indication



Tolerance affects the ESPE resolution. Please consider the new resolution to calculate a new mechanical mounting.

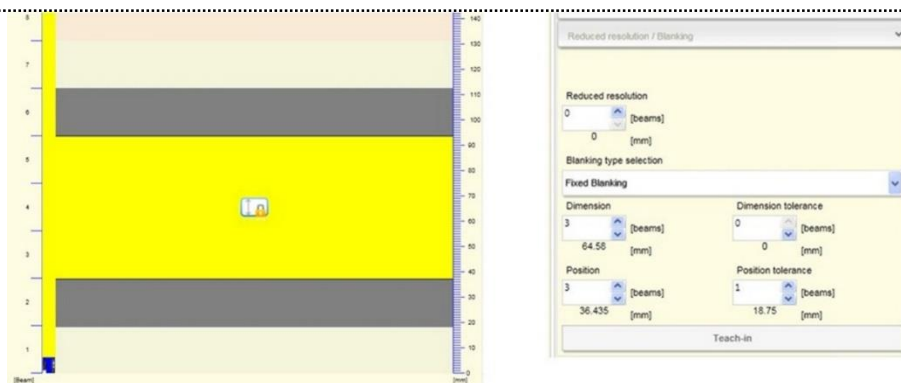


Fig 89 - Position tolerance

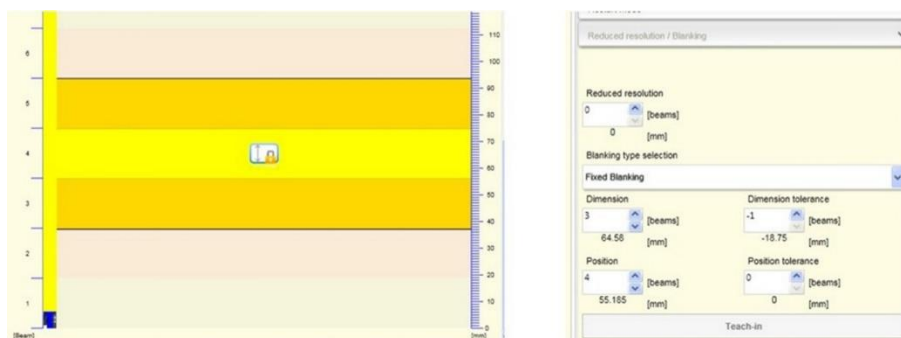


Fig 90 - Dimension tolerance

BLANKING IN BASIC CONFIGURATION MODE

In basic configuration mode only a reduced set of possible blanking configuration is possible.

		PWR	OSSD	EDM	ACM	LEVEL
1 Fixed Blanking Zone	LED 8 ON Green	●	○	●	○	○ ○ ○ ●
2 Fixed Blanking Zones	LED 8 OFF	●	○	●	○	○ ○ ○ ●

Fig 91 - BCM Configuration: Fixed Blanking

1 Fixed Blanking zone: only 1 zone can be configured as blanking zone.

2 Fixed Blanking zones: 2 zones can be configured as blanking zone.

		PWR	OSSD	EDM	ACM	LEVEL
Floating Blanking Disabled	LED 6 ON Green LED 7 ON Green	●	○	●	○	○ ● ● ○
Floating Blanking 1 beam (with partial surveillance)	LED 6 ON Green LED 7 OFF	●	○	●	○	○ ● ● ○
Floating Blanking 2 beams (with partial surveillance)	LED 6 OFF LED 7 ON Green	○	○	●	○	○ ● ● ○
Reduced Resolution 4	LED 6 OFF LED 7 OFF	○	○	●	○	○ ● ● ○

Fig 92 - BCM Configuration: Floating Blanking

Floating blanking disabled: no Floating Blanking allowed.

Floating Blanking 1 beam: ESPE stays in NORMAL OPERATION if 1 or 0 beams are intercepted.

Floating Blanking 2 beams: ESPE stays in NORMAL OPERATION if 2 adjacent, 1 or 0 beams are intercepted.

Reduced Resolution 4: ESPE goes in SAFE state if more than 4 adjacent beams gets intercepted.

BLANKING IN ADVANCED CONFIGURATION MODE

In ACM a maximum of 5 blanking zones (fixed + floating) can be configured (at least 1 beam of separation between zones is necessary).

In ACM the number of beams can be chosen by the user.

REDUCED RESOLUTION

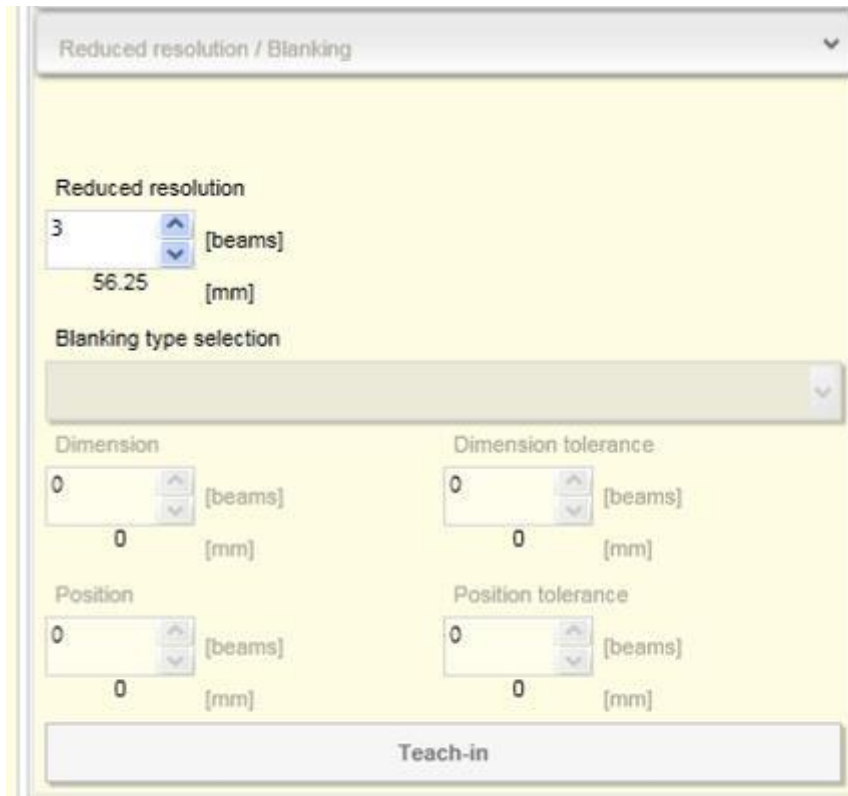


Fig 93 - ACM configuration

GUI calculates the maximum object size (in mm) that can intercept ESPE without causing SAFE STATE.

Effective ESPE resolution changes depending on the different value assigned to parameter N.

Safety distance should be calculated according to effective resolution.

Value No.	Effective resolution ESPE 14 mm	Effective resolution ESPE 30 mm
1	23 mm	49 mm
2	33 mm	68 mm
3	42 mm	87 mm
4	51 mm	105 mm

FIXED BLANKING

The panel on the right shows the settings of the active blanking zone (in the example here below the active blanking zone has a dimension of 3 beams and is 7 beams from the bottom of the light curtain; no tolerance is set).

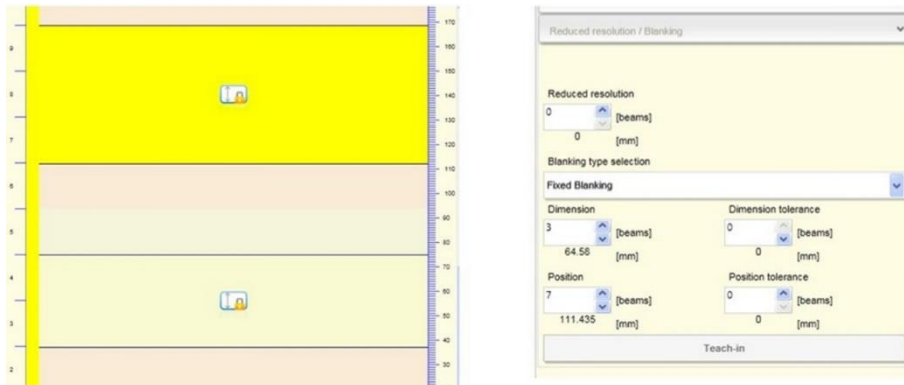


Fig 94 - Fixed Blanking

FIXED BLANKING WITH INCREASED TOLERANCE (TOP or BOTTOM)

The example below shows a setting with fixed blanking with increased tolerance top: over this zone fixed blanking zones only are allowed; under this zone fixed and total surveillance blanking zones are allowed.

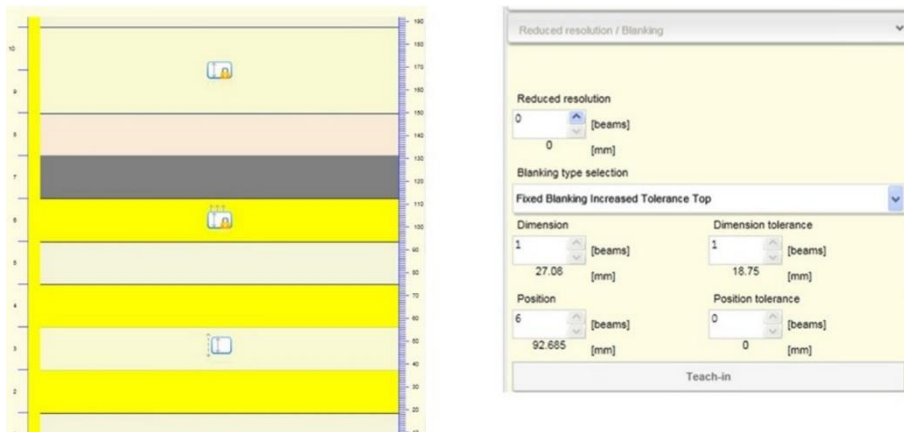


Fig 95 - Fixed blanking with increased tolerance

FLOATING BLANKING WITH TOTAL SURVEILLANCE

Floating objects can move up or down intercepting different beams while moving; the objects can't overlap nor change relative positions.

Object must be always present in the protected area and intercept the configured number of beams with a mandatory fixed tolerance of one beam; that is necessary since a moving object will always intercept a different number of beams.



Fig 96 - Floating blanking with total surveillance

FLOATING BLANKING WITH PARTIAL SURVEILLANCE

Floating objects can move up or down intercepting different beams while moving; they can even get out of the protected area or intercept a number of beams minor than the configured one.

Adjacent to this zone fixed blanking only can be configured; with such fixed blanking zones floating objects can overlap and even change relative positions without causing the switching of the OSSDs.

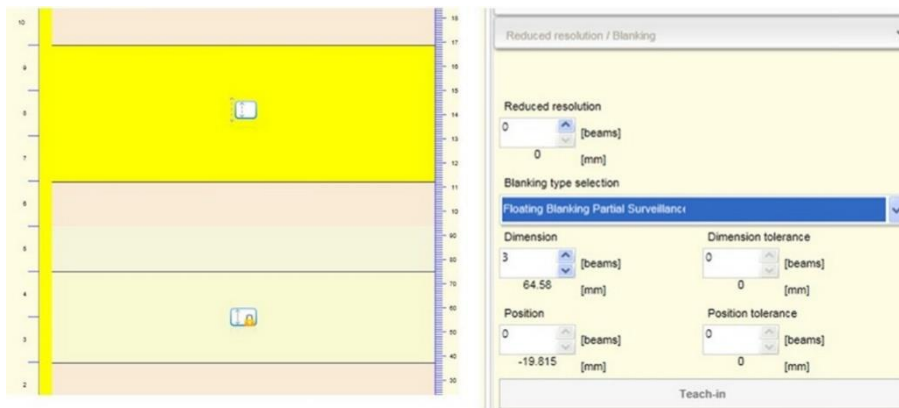


Fig 97 - Floating blanking with partial surveillance

8.10 CASCADE (SG4-P MODELS)

A dedicated Bus provides the connection between Master and Slave units. The same bus is used to connect SG4-DONGLE which links the light curtain to Ethernet.

A proprietary transmission protocol for bus is used to communicate to slaves safety related information and status. OSSDs are physically connected to master unit only; only the master unit can control their status.

If transmission fails, due to a stuck-at fault or a signal degradation, master and slave units go in failure lock-out condition.

A maximum of three units (master and two slaves) can be connected in a cascade configuration (a maximum of 160 beams for 30mm resolution models and a maximum of 320 beams for 14mm resolution models).

The maximum length of the master unit is 1800mm and the maximum length of each slave is 1200mm. For the correct connection of the units in a cascade configuration, the right cables have to be used (CS-F1-80-B-01, CS-F1-80-B-005, CS-F1-80-B-0005 on **ACCESSORIES page 98**).

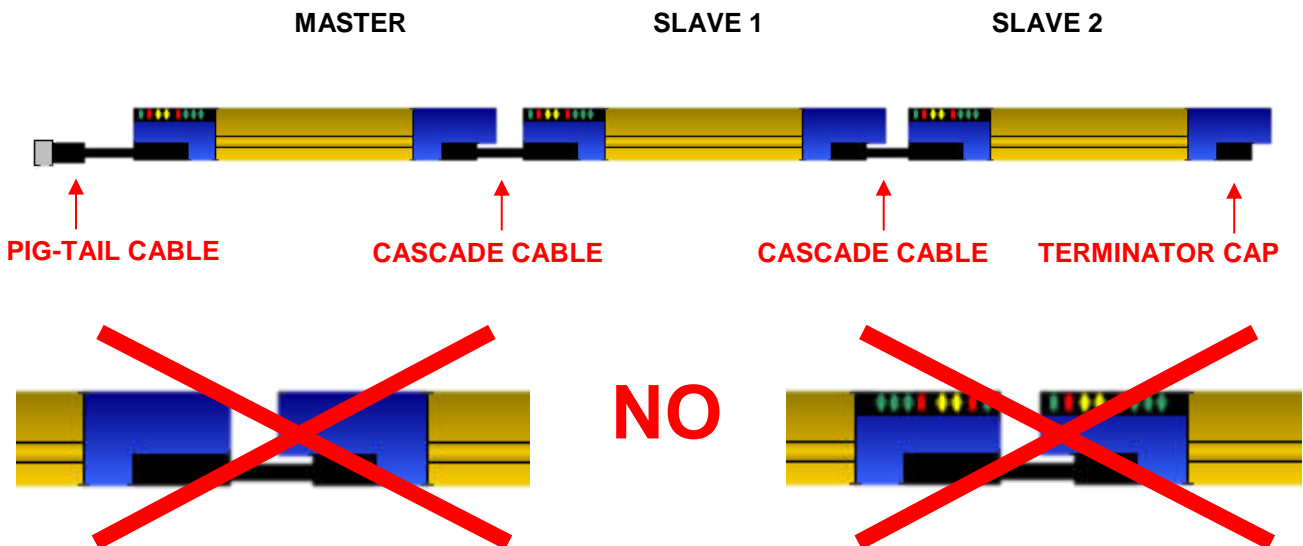
Max three units (Master and two Slaves)	
30mm resolution models	maximum of 160 beams
14mm resolution models	maximum of 320 beams

A safe auto-recognition procedure at startup is implemented; it automatically detects cascade topology and correctly address units.

To allow auto-recognition, it is mandatory to connect the termination cap (supplied on kit) on the tail connector of last cascade unit, in both transmitter and receiver unit.

If this connection misses, Master and Slave units go in critical Communication failure.

CASCADE CONNECTION



The Cascade connection can be done by using two or three Light Curtains (Standard Model), which can have different length and resolution.

The cascade configuration can reach a maximum of 160 beams for 30mm resolution models and a maximum of 320 beams for 14mm resolution models. The maximum length of the master unit is 1800mm and the maximum length of each slave is 1200mm.

The connection among the light curtains needs a Cascade Cable that is available in three different lengths:

- Cascade Cable 1 m (**CS-F1-80-B-01**)
- Cascade Cable 0.5 m (**CS-F1-80-B-005**)
- Cascade Cable 0.05 m (**CS-F1-80-B-0005**)

The cascade cable must be connected between a Top side (without LEDs) and a Bottom Side (with LEDs) of two SG4E Light Curtains.



Make sure to correctly connect the Light Curtains in order to avoid devices damages. Before connecting or disconnecting the Light Curtains please make sure to power off all units. Connection or disconnection with powered products can damage the Light Curtains.

8.11 CODING (SG4-P MODELS)

The coding function allows the ESPE to remain in normal operation also when an interference condition with another ESPE occurs, and in particular when the TX of the first light curtain radiates in the direction of the RX of the second light curtain.

Obviously, both light curtains must be configured with two different codes (see also **Distance between homologous devices page 22**).

No Code

In this situation, no code is selected and the safety light curtain has to be installed at a certain distance from other light curtains with no code, in order to avoid possible interferences that can lead to a dangerous situation. If the user has to install the light curtains nearer than the minimum allowed distance he should take care to install the TX of the first light curtain on the same side of the RX of the second.

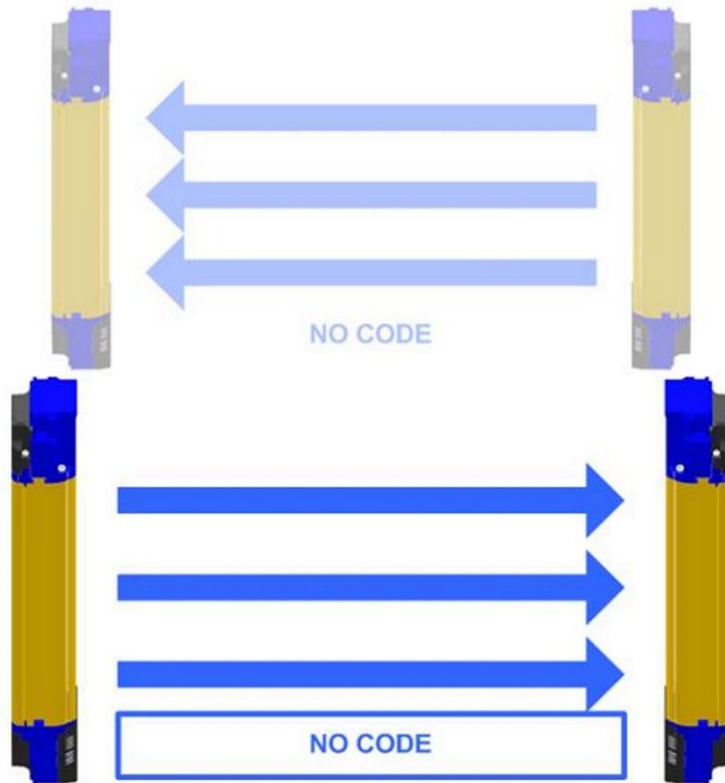


Fig 98 - No code

Code 1 or code 2

When the user has to install two light curtains at a distance that is lower than the minimum distance allowed from homologous devices (and has to have the RXs on the same side), he has to configure the light curtains with different codes.

The configuration by means of GUI changes the code only on RX side; in order to have the light curtain correctly working, the user has to configure TX side with the same code by means of BCM.

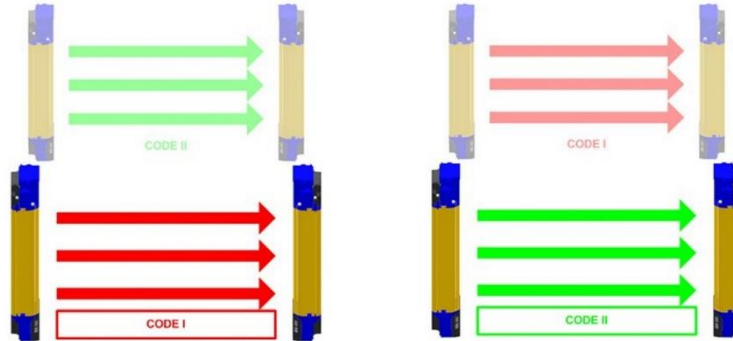


Fig 99 - Code 1 and code 2

The function can be set by BCM of both RX and TX devices. The number of available codes is two:

		PWR	OSSD	EDM	ACM	LEVEL
No Code	LED 5 and 6 OFF	●	●	●	●	● ● ● ●
Code 1	LED 5 ON Red, LED 6 OFF	●	●	●	●	● ● ● ●
Code 2	LED 5 OFF, LED 6 ON Green	●	●	●	●	● ● ● ●

Fig 100 - Normal Operation (RX side): Intercepted beams

		PWR	TST	SR	LR	CODE
No Code	LED 5 and 6 OFF	●	●	●	●	● ● ● ●
Code 1	LED 5 ON Red, LED 6 OFF	●	●	●	●	● ● ● ●
Code 2	LED 5 OFF, LED 6 ON Green	●	●	●	●	● ● ● ●

Fig 101 - Normal Operation (TX side)

When one of the three option (no code, code 1 and code 2) is selected and the beams are intercepted, the indication on the user interface is the following.

		PWR	OSSD	EDM	ACM	LEVEL
		PWR	TST	SR	LR	CODE
No Code	LED 2 OFF	●	●	●	●	● ● ● ●
Code 1	LED 2 ON Red	●	●	●	●	● ● ● ●
Code 2	LED 2 ON Green	●	●	●	●	● ● ● ●

Fig 102 - BCM Configuration: Coding Selection (TX and RX)

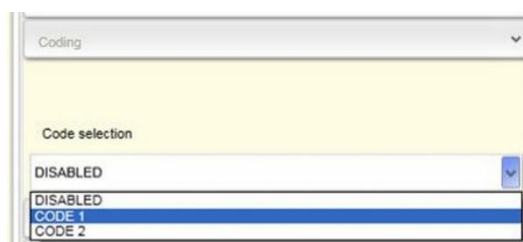


Fig 103 - ACM Configuration: Coding Selection

9 USER INTERFACE AND DIAGNOSTICS

9.1 USER INTERFACE

In the left side of user control panel (on both units of light curtains) an 8 LEDs user interface helps customer to control and check the state of the light curtain, for alignment mode, normal operation and for troubleshooting activity.

User interface allows the user to understand which is the configuration set with the push buttons.

9.1.1 RX Side Diagnostic

ESPE WORKING MODE	INDICATION	LED CONFIGURATION								SUGGESTED ACTION	
		PWR	OSSD	EDM	ACM	LEVEL					
		● Off	● On	⦿ Blink	● Indifferent						
ALIGNMENT	NOT ALIGNED	●	⦿	●	●	●	●	●	●	●	
	1ST SYNC ENGAGED	●	⦿	●	●	●	●	●	●	●	
	LAST SYNC ENGAGED	●	⦿	●	●	●	●	●	●	●	
	MINIMUM SIGNAL LEVEL	●	⦿	●	●	●	●	●	●	●	
	MAXIMUM SIGNAL LEVEL	●	⦿	●	●	●	●	●	●	●	
NORMAL OPERATION MANUAL RESTART ONLY	INTERLOCK FREE BEAMS	●	●	●	●	●	●	●	●	●	user can restart device in normal operation activating RESTART line
	INTERLOCK INTERCEPTED BEAMS	●	●	●	●	●	●	●	●	●	user must free protected area before activating RESTART line
NORMAL OPERATION	OSSD ON (MAXIMUM ALIGNMENT)	●	●	●	●	●	●	●	●	●	
	OSSD OFF CODE 1	●	●	●	●	●	●	●	●	●	
	OSSD OFF CODE 2	●	●	●	●	●	●	●	●	●	
	OSSD OFF NO CODE	●	●	●	●	●	●	●	●	●	
	LEVEL SIGNAL ON BEAMS	●	●	●	●	●	●	●	●	●	
	EDM ACTIVE	●	●	●	●	●	●	●	●	●	
	ACM ACTIVE	●	●	●	●	●	●	●	●	●	
	ACM CONFIGURATION PENDING	●	●	●	⦿	●	●	●	●	●	configuration from PC in progress, follow software instructions

ESPE WORKING MODE	INDICATION	PWR OSSD EDM ACM	SUGGESTED ACTION
		LED CONFIGURATION ● Off ● On ● Blink ● Indifferent	
NORMAL OPERATION BLANKING ONLY	VALID BLANKING (OSSD ON)		
	INVALID BLANKING (OSSDS OFF)		blanking zones not respected. Reconfigure blanking (teach-in if BCM)
	BCM TOLERANCE ACTIVE		check effective ESPE resolution and intentional activation of tolerance function
NORMAL OPERATION MUTING ONLY	MUTING ACTIVE		if unexpected OSSD OFF with Muting active, check partial muting configuration
	OVERRIDE ACTIVE		OSSDs ON, muting lamp flashing
	OVERRIDE ATTENTION STATUS		trigger override button to force OSSDs ON
	OVERRIDE TIMINGS FAILURE		check and repeat override activation sequence. Check override connections
	LAMP FAILURE		check if lamp connections and/or if lamp is broken

ESPE WORKING MODE	INDICATION	LED CONFIGURATION	SUGGESTED ACTION
		PWR OSSD EDM ACM LEVEL ● Off ● On ● Blink ● Indifferent	
FAILURE INFORMATION	FAILURE ON OSSD		Activate RESET line. If error persists contact Datalogic Automation Technical Support
	FAILURE ON MICROPROCESSOR		Activate RESET line. If error persists contact Datalogic Automation Technical Support
	FAILURE ON OPTICS		Activate RESET line. If error persists contact Datalogic Automation Technical Support
	FAILURE ON EDM		Check EDM feedback line and EDM configuration. Activate RESET line
	FAILURE ON RESTART		Check RESTART line connection. Activate RESET line
	COMMUNICATION FAILURE		Check cascade connection and correct mounting of terminator cap. Activate RESET line
	BCM CONFIGURATION FAILURE		Re-operate Basic Configuration. If error persists contact Datalogic Automation Technical Support
	ACM CONFIGURATION FAILURE		Re-operate Advanced Configuration. If error persists contact Technical Support. Make sure the most recent version of the GUI available on www.datalogic.com is installed.
	CRITICAL FAILURE		Turn ON/OFF ESPE. If error persists contact Datalogic Automation Technical Support
	POWER SUPPLY FAILURE		Check Power Supply Connection. If error persists contact Technical Support



A critical failure can't be re-established with a Reset procedure but it's necessary to switch-off and switch-on the light curtain; if the failure persists, please contact the DATALOGIC Technical Support.

9.1.2 TX Side Diagnostic

ESPE WORKING MODE	INDICATION	LED CONFIGURATION								SUGGESTED ACTION
		PWR	OSSD	EDM	ACM	LEVEL				
		● Off	● On	☀ Blink	● Indifferent					
NORMAL OPERATION	SHORT RANGE EMISSION	●	●	●	●	●	●	●	●	
	LONG RANGE EMISSION	●	●	●	●	●	●	●	●	
	NO CODE	●	●	●	●	●	●	●	●	
	CODE 1	●	●	●	●	●	●	●	●	
	CODE 2	●	●	●	●	●	●	●	●	
	TEST	●	●	●	●	●	●	●	●	if undesired Test, check TEST line connection
	EMISSION	●	●	●	●	●	●	●	●	
FAILURE	FAILURE ON MICROPROCESSOR	●	●	☀	☀	●	●	●	●	Activate RESET line. If error persists contact Datalogic Automation Technical Support
	FAILURE ON OPTICS	●	●	☀	☀	●	●	●	●	Activate RESET line. If error persists contact Datalogic Automation Technical Support
	BCM CONFIGURATION FAILURE	●	●	☀	☀	●	●	●	●	Re-operate Basic Configuration. If error persists contact Datalogic Automation Technical Support
	COMMUNICATION FAILURE	●	●	☀	☀	●	●	●	●	Check cascade connection and correct mounting of terminator cap. Activate RESET line
	CRITICAL FAILURE	●	●	☀	☀	●	●	●	●	Turn ON/OFF ESPE. If error persists contact Datalogic Automation Technical Support



A critical failure can't be re-established with a Reset procedure but it's necessary to switch-off and switch-on the light curtain; if the failure persists, please contact the DATALOGIC Technical Support.

10 PERIODICAL CHECKS

The following is a list of recommended check and maintenance operations that should be periodically carried-out by qualified personnel (see **Controls after first installation page 25**)

Check that:

- The ESPE stays in SAFE state during beam interruption along the entire protected area, using the specific Test Piece (TP-14 or TP-30)
- The ESPE is correctly aligned. Press slightly product side, in both directions and the red LED (named OSSD on RX side) must not turn ON.
- Enabling the TEST function (on TX side), the OSSD outputs should open (the red LED, OSSD on RX side, is ON and the controlled machine stops)
- The response time upon machine STOP (including response time of the ESPE and of the machine) is within the limits defined for the calculation of the safety distance (see chapter **INSTALLATION page 19**).
- The safety distance between the dangerous areas and the ESPE are in accordance with the instructions included in chapter **INSTALLATION page 19**.
- Access of a person between ESPE and machine dangerous parts is not possible nor it is possible for him/her to stay there
- Access to the dangerous area of the machine from any unprotected area is not possible
- The ESPE and the external electrical connections are not damaged.

The frequency of checks depends on the particular application and on the operating conditions of the safety light curtain.

10.1 GENERAL INFORMATION AND USEFUL DATA



Safety MUST be a part of our conscience.

The safety devices fulfil their safety function only if they are correctly installed, in accordance with the Standards in force.

If you are not certain to have the expertise necessary to install the device in the correct way, DATALOGIC is at your disposal to carry out the installation.

The device uses fuses that are not self-resetting. Consequently, in presence of short-circuits causing the cut-off of these fuses, both safety light curtains (RX and TX) shall be sent to DATALOGIC Repair Service Department.

A power failure caused by interferences may temporarily open the OSSD outputs or trigger Safety State over connected safety Fieldbus, but the safe functioning of the light curtain will not be compromised.

10.2 WARRANTY

The warranty period for this product is 36 months.

See the General Terms and Conditions of Sales at www.datalogic.com for further details.

DATALOGIC will not be liable for any damages to persons and things caused by the non-observance of the correct installation modes and device use.

In presence of a non-functioning device, always return the emitting and receiving units for repair or replacement.

11 DEVICE MAINTENANCE

DATALOGIC safety light curtains do not require special maintenance operations.

To avoid the reduction of the operating distance, optic protective front surfaces must be cleaned at regular intervals. Use soft cotton cloths dampened in water.

Do not apply too much pressure on the surface to avoid making it opaque.

Please do not use on plastic surfaces or on light curtain painted surfaces:

- **alcohol or solvents**
- **wool or synthetic cloths**
- **paper or other abrasive materials**

11.1 PRODUCT DISPOSAL

Under current Italian and European laws, DATALOGIC is not obliged to take care of product disposal at the end of its life.

DATALOGIC recommends disposing of the product in compliance with local laws or contacting authorized waste collection centers.

12 TECHNICAL DATA

SAFETY CATEGORY:	Type 4 (ref. EN 61496-1: 2013)
	SIL 3 (ref. EN 61508)
	SIL CL 3 (ref. EN 62061:2005/A2: 2015)
	PL e, Cat. 4 (ref. EN ISO 13849-1: 2015)
	PFHd [1/h] = 8,4E-09 (ref. EN 61508)
	MTTFd [years] = 131 (ref. EN ISO 13849-1 2015)

ELECTRICAL DATA	
Power supply (Vdd):	24 VDC ± 20%
Consumption (TX):	3 W max
Consumption (RX):	5 W max (without load)
Outputs:	2 PNP
Short-circuit protection:	1.4 A max
Output current:	0.5 A max for each output
Output voltage – status ON:	Vdd –1 V min
Output voltage – status OFF:	0.2 V max
Capacitive load:	2.2 uF @ 24Vcc max
Response times:	see chapter AVAILABLE MODELS AND RESPONSE TIMES page 92
Recovery time:	Typ. 100ms *
Controlled height:	300..1800 mm
Auxiliary functions:	test; manual/automatic restart; EDM; reset; Muting; blanking; GUI; coding; PNP connection; cascade
Electrical protection:	Class I / Class III (see chapter ELECTRICAL CONNECTIONS page 29)
Current for External Lamp:	20 mA min; 300 mA max
Connections:	
Muting models:	M12 12-pole + M12 5-pole
Blanking models:	M12 12-pole
for both models:	M12 5-pole
Cables length (for power supply):	50 m. max

OPTICAL DATA	
Emitting light (λ):	Infrared, LED (950 nm)
Resolution:	14 - 30 mm
Operating distance:	0.2...7 m for 14 mm 0.2...20 m for 30 mm
Ambient light rejection:	EN 61496-2: 2013

MECHANICAL AND ENVIRONMENTAL DATA	
Operating temperature:	0...+ 50 °C
Storage temperature:	- 25...+ 70 °C
Temperature class:	T6
Humidity:	15...95 % (no condensation)
Mechanical protection:	IP 65 EN 60529
Vibrations:	Width 0.35 mm, Frequency 10 ... 55 Hz 20 sweep per axis, 1octave/min EN 60068-2-6
Shock resistance:	16 ms (10 G) 1,000 shocks per axis EN 60068-2-29
Housing material:	Painted aluminium (yellow RAL 1003)
Front side material:	PMMA
Caps material:	PBT Valox 508 (PANTONE 072C)
Cover material:	PC LEXAN
Weight:	1.35 kg per linear meter for single unit

* Recovery Time may be longer if both first and last optics are intercepted.

13 AVAILABLE MODELS

13.1 SG4-P MODELS RANGE AND RESPONSE TIMES

MODEL	Controlled height (mm)	No. Beams	Response time AIC OFF (msec)	Response time AIC ON (msec)	Resolution (mm)
SG4-14-030-OO-P	300	32	15	20	14
SG4-14-045-OO-P	450	48	17	25	14
SG4-14-060-OO-P	600	64	19	29	14
SG4-14-075-OO-P	750	80	20	34	14
SG4-14-090-OO-P	900	96	22	38	14
SG4-14-105-OO-P	1050	112	24	43	14
SG4-14-120-OO-P	1200	128	26	47	14
SG4-14-135-OO-P	1350	144	27	52	14
SG4-14-150-OO-P	1500	160	29	56	14
SG4-14-165-OO-P	1650	176	31	61	14
SG4-14-180-OO-P	1800	192	33	65	14
SG4-30-030-OO-P	300	16	13	16	30
SG4-30-045-OO-P	450	24	14	18	30
SG4-30-060-OO-P	600	32	15	20	30
SG4-30-075-OO-P	750	40	16	23	30
SG4-30-090-OO-P	900	48	17	25	30
SG4-30-105-OO-P	1050	56	18	27	30
SG4-30-120-OO-P	1200	64	19	29	30
SG4-30-135-OO-P	1350	72	19	32	30
SG4-30-150-OO-P	1500	80	20	34	30
SG4-30-165-OO-P	1650	88	21	36	30
SG4-30-180-OO-P	1800	96	22	38	30

13.2 SG4-P MODELS CASCADE RESPONSE TIMES

With the following formulas (and referring to the response time reported in the following tables) the user can calculate the response time of whatever cascade he creates:

AIC OFF (no code)	$T_{\text{cascade}} [\text{msec}] = T_{\text{master}} + T_{\text{slave1}} + T_{\text{slave2}} + 7.5$
AIC ON (with code)	$T_{\text{cascade}} [\text{msec}] = T_{\text{master AIC}} + T_{\text{slave1 AIC}} + T_{\text{slave2 AIC}} + 7.5$

MODEL	Master response time AIC OFF (msec) Tmaster	Slave response time AIC OFF (msec) Tslave	Master response time AIC ON (msec) Tmaster AIC	Slave response time AIC ON (msec) Tslave AIC
SG4-14-030-OO-P	13.7	13.7	19.1	19.1
SG4-14-045-OO-P	15.4	15.4	23.6	23.6
SG4-14-060-OO-P	17.2	17.2	28.1	28.1
SG4-14-075-OO-P	18.9	18.9	32.6	32.6
SG4-14-090-OO-P	20.7	20.7	37.1	37.1
SG4-14-105-OO-P	22.4	22.4	41.6	41.6
SG4-14-120-OO-P	24.2	24.2	46.0	46
SG4-14-135-OO-P	26.0	-	50.5	-
SG4-14-150-OO-P	27.7	-	55.0	-
SG4-14-165-OO-P	29.5	-	59.5	-
SG4-14-180-OO-P	31.2	-	64.0	-

MODEL	Master response time AIC OFF (msec) Tmaster	Slave response time AIC OFF (msec) Tslave	Master response time AIC ON (msec) Tmaster AIC	Slave response time AIC ON (msec) Tslave AIC
SG4-30-030-OO-P	11.9	11.9	14.6	15
SG4-30-045-OO-P	12.8	12.8	16.8	17
SG4-30-060-OO-P	13.7	13.7	19.1	19
SG4-30-075-OO-P	14.5	14.5	21.3	21
SG4-30-090-OO-P	15.4	15.4	23.6	24
SG4-30-105-OO-P	16.3	16.3	25.8	26
SG4-30-120-OO-P	17.2	17.2	28.1	28
SG4-30-135-OO-P	18.0	-	30.3	-
SG4-30-150-OO-P	18.9	-	32.6	-
SG4-30-165-OO-P	19.8	-	34.8	-
SG4-30-180-OO-P	20.7	-	37.1	-

13.3 SG4-N MODELS RANGE AND RESPONSE TIMES

MODEL	Controlled height (mm)	No. Beams	Response time (msec)	Resolution (mm)
SG4-14-030-OO-N	300	32	15	14
SG4-14-045-OO-N	450	48	17	14
SG4-14-060-OO-N	600	64	19	14
SG4-14-075-OO-N	750	80	20	14
SG4-14-090-OO-N	900	96	22	14
SG4-14-105-OO-N	1050	112	24	14
SG4-14-120-OO-N	1200	128	26	14
SG4-14-135-OO-N	1350	144	27	14
SG4-14-150-OO-N	1500	160	29	14
SG4-14-165-OO-N	1650	176	31	14
SG4-14-180-OO-N	1800	192	33	14
SG4-30-030-OO-N	300	16	13	30
SG4-30-045-OO-N	450	24	14	30
SG4-30-060-OO-N	600	32	15	30
SG4-30-075-OO-N	750	40	16	30
SG4-30-090-OO-N	900	48	17	30
SG4-30-105-OO-N	1050	56	18	30
SG4-30-120-OO-N	1200	64	19	30
SG4-30-135-OO-N	1350	72	19	30
SG4-30-150-OO-N	1500	80	20	30
SG4-30-165-OO-N	1650	88	21	30
SG4-30-180-OO-N	1800	96	22	30

14 OVERALL DIMENSIONS

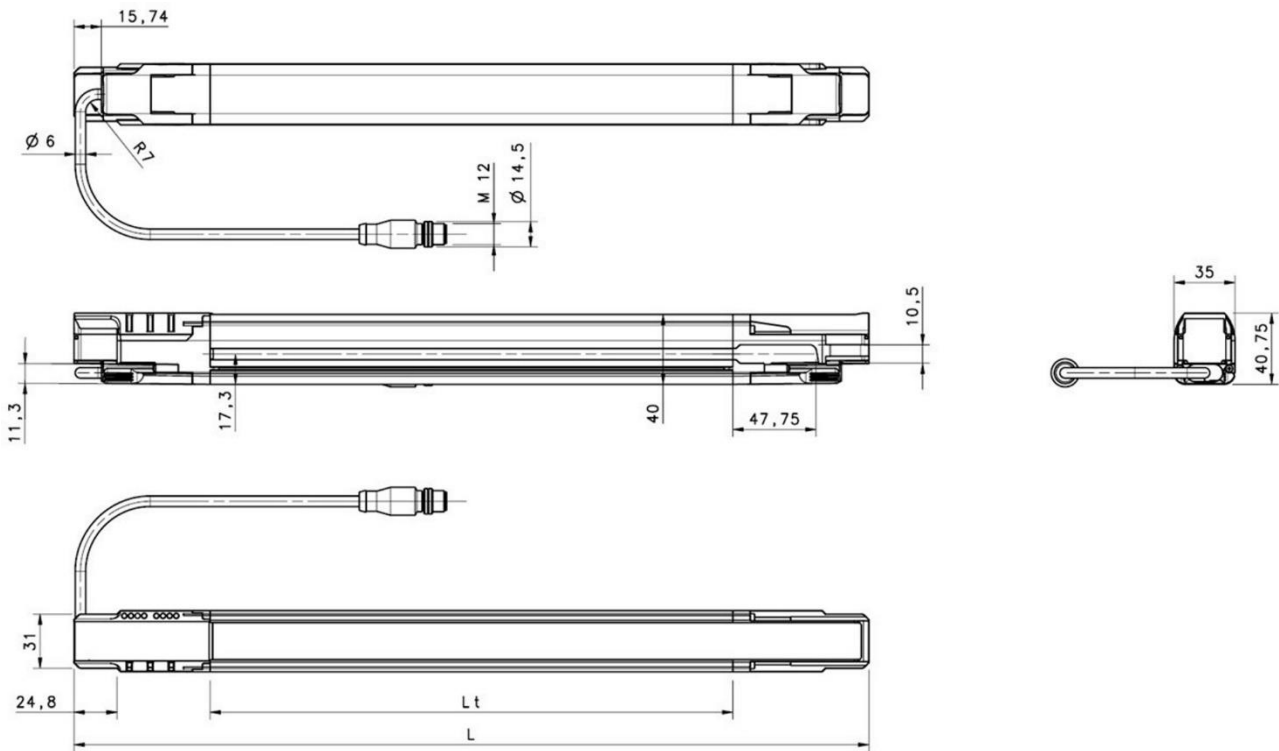


Fig 104 - Overall dimensions (mm)

MODEL 14mm	MODEL 30mm	Lt (mm)	L (mm)
SG4-14-030-OO-x	SG4-30-030-OO-x	150	306.3
SG4-14-045-OO-x	SG4-30-045-OO-x	300	456.3
SG4-14-060-OO-x	SG4-30-060-OO-x	450	606.3
SG4-14-075-OO-x	SG4-30-075-OO-x	600	756.3
SG4-14-090-OO-x	SG4-30-090-OO-x	750	906.3
SG4-14-105-OO-x	SG4-30-105-OO-x	900	1056.3
SG4-14-120-OO-x	SG4-30-120-OO-x	1050	1206.3
SG4-14-135-OO-x	SG4-30-135-OO-x	1200	1356.3
SG4-14-150-OO-x	SG4-30-150-OO-x	1350	1506.3
SG4-14-165-OO-x	SG4-30-165-OO-x	1500	1656.3
SG4-14-180-OO-x	SG4-30-180-OO-x	1650	1806.3

15 INCLUDED ACCESSORIES

Metal angled fixing bracket (ST-KSTD)

MODEL	DESCRIPTION
ST-KSTD	Angled fixing bracket (4 pcs kit)

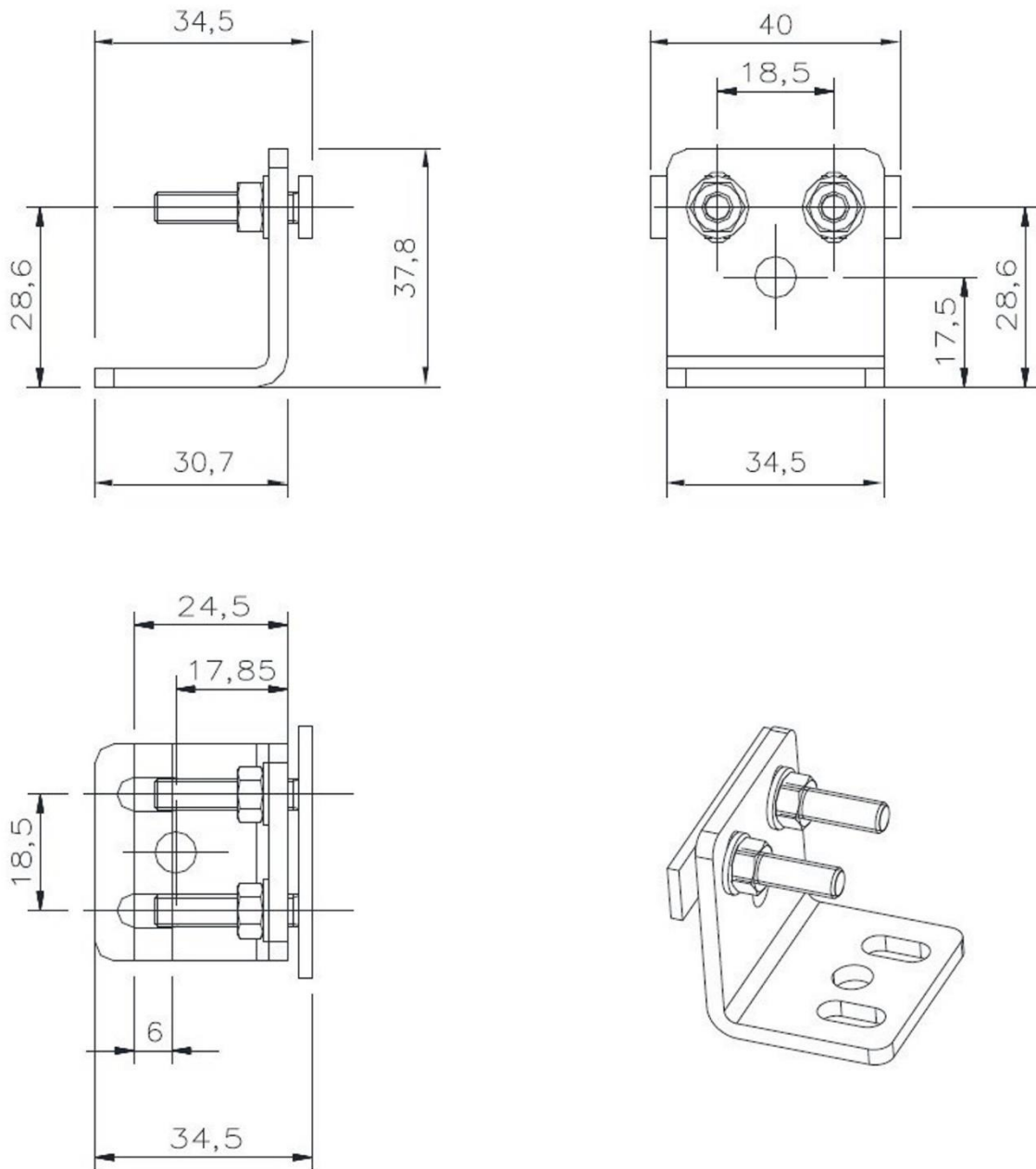


Fig 105 - Dimensions (mm)

15.1 TERMINATOR CAP

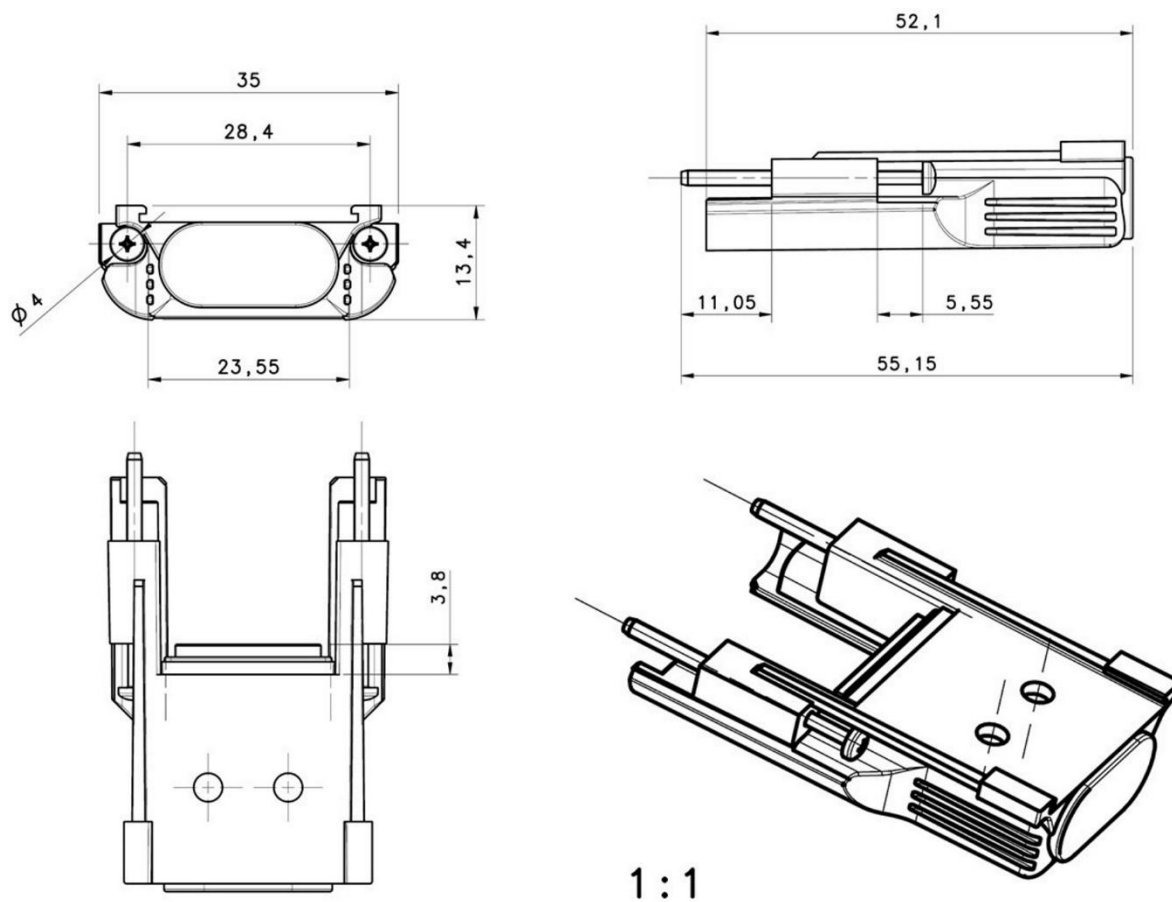


Fig 106 - Dimensions (mm)

15.2 TOOL FOR BCM CONFIGURATION

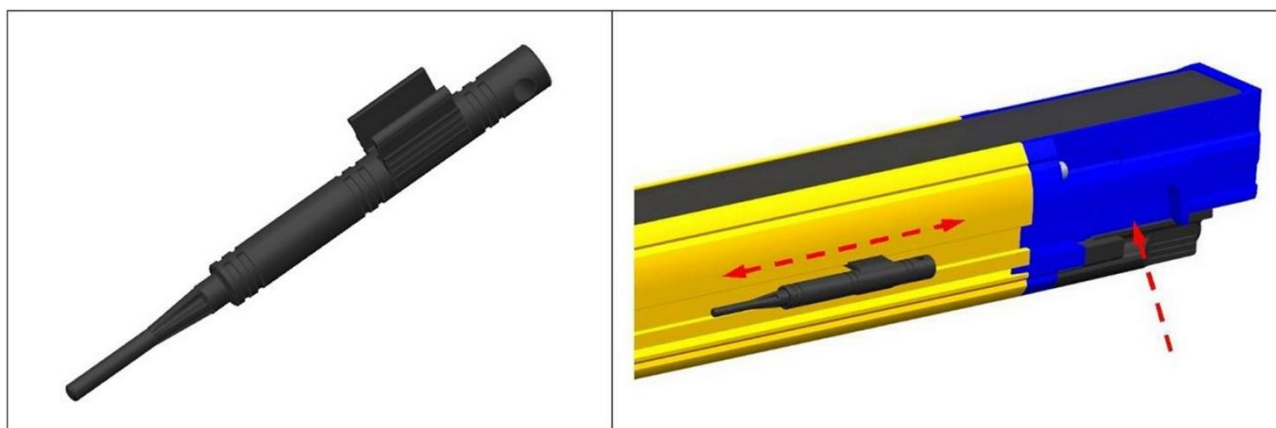


Fig 107 - Tool for BCM configuration

The tool for BCM configuration, when not used, can be inserted in the profile groove by making it enter from the top of the light curtain.

16 ACCESSORIES

(dimensions in mm)

16.1 (ST-KSTD) METAL ANGLED FIXING BRACKET

MODEL	DESCRIPTION	CODE
ST-KSTD	Angled fixing bracket (4 pcs kit)	95ACC1670

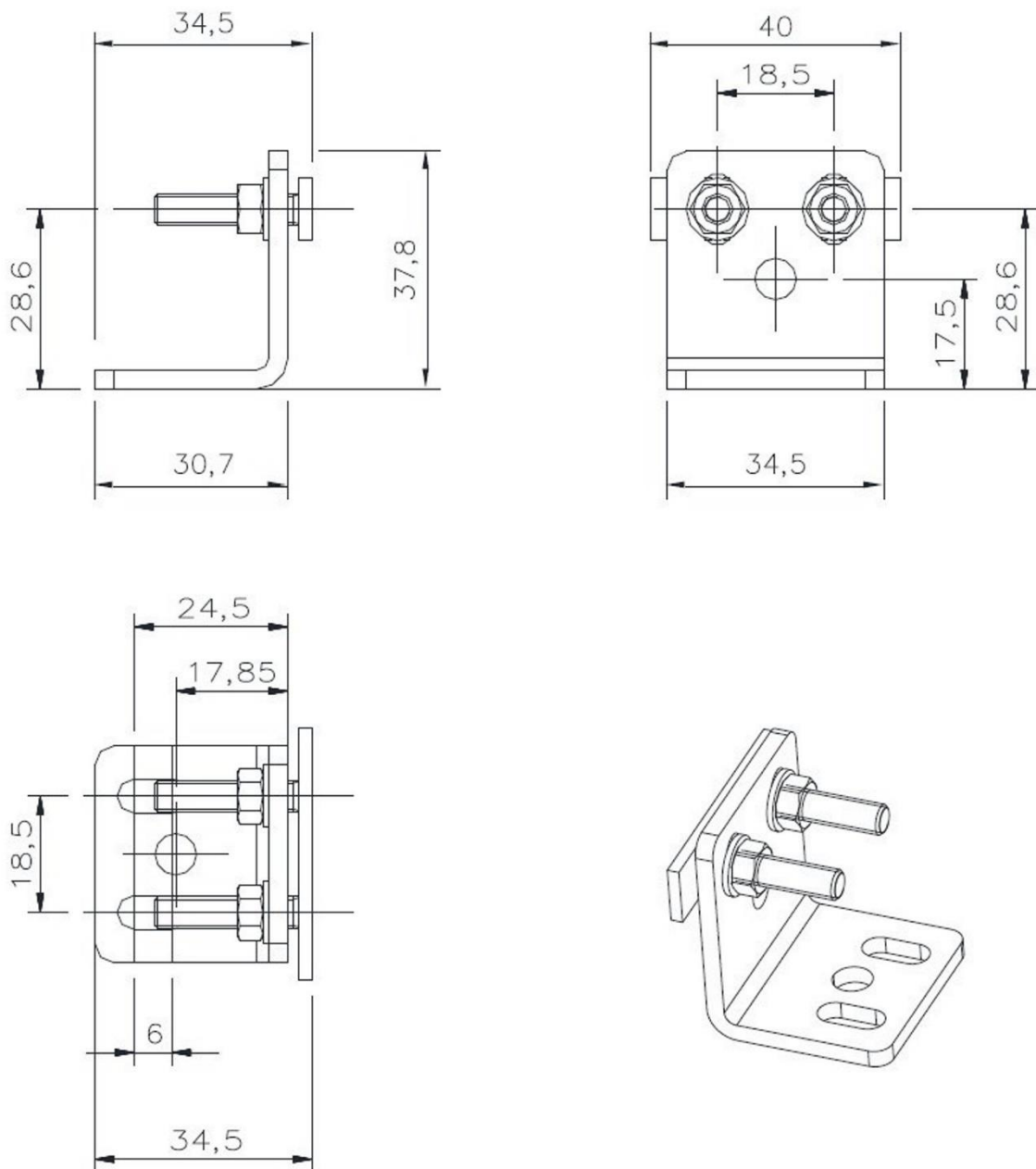


Fig 108 - ST-KSTD

Angled fixing bracket mounting with orientable and antivibration supports

MODEL	DESCRIPTION	CODE
ST-K4OR	Orientable supports (4 pcs kit)	95ACC1680
ST-K6OR	Orientable supports (6 pcs kit)	95ACC1690
ST-K4AV	Antivibration supports (4 pcs kit)	95ACC1700
ST-K6AV	Antivibration supports (6 pcs kit)	95ACC1710

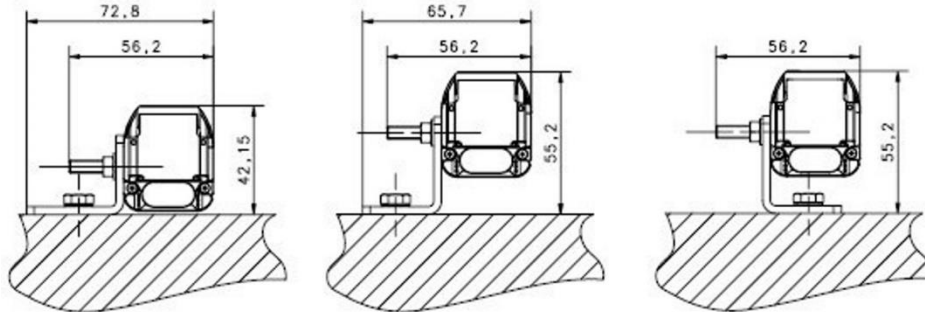


Fig 109 - Angled fixing bracket

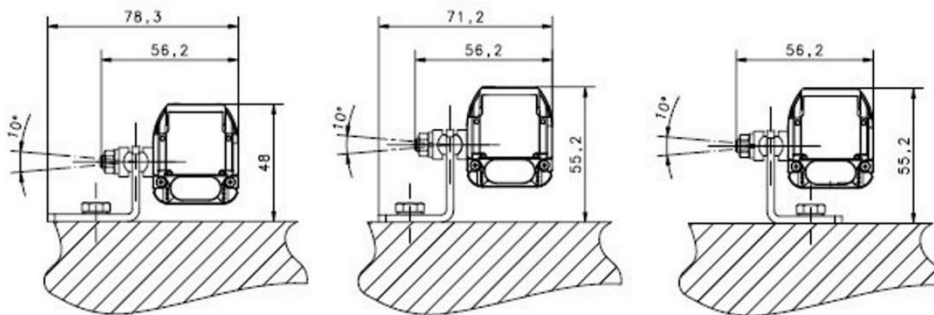


Fig 110 - Angled fixing bracket + Orientable support

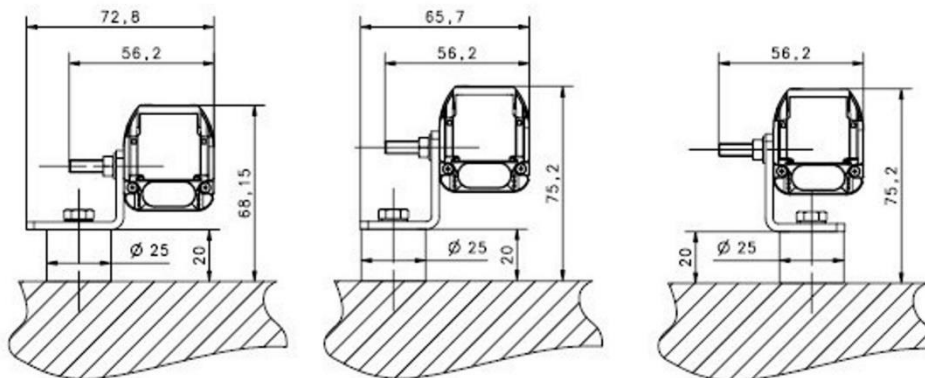


Fig 111 - Angled fixing bracket + Antivibration support

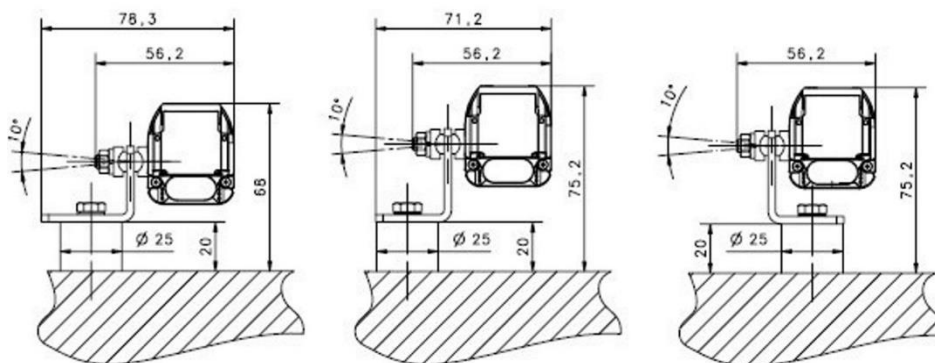


Fig 112 - Angled fixing bracket + Orientable support + Antivibration support

16.2 (ST-KPXMP) PLASTIC ANGLED FIXING BRACKET

MODEL	DESCRIPTION	CODE
ST-KP4MP	Angled fixing bracket (4 pcs kit)	95ASE1100
ST-KP6MP	Angled fixing bracket (6 pcs kit)	95ASE1110

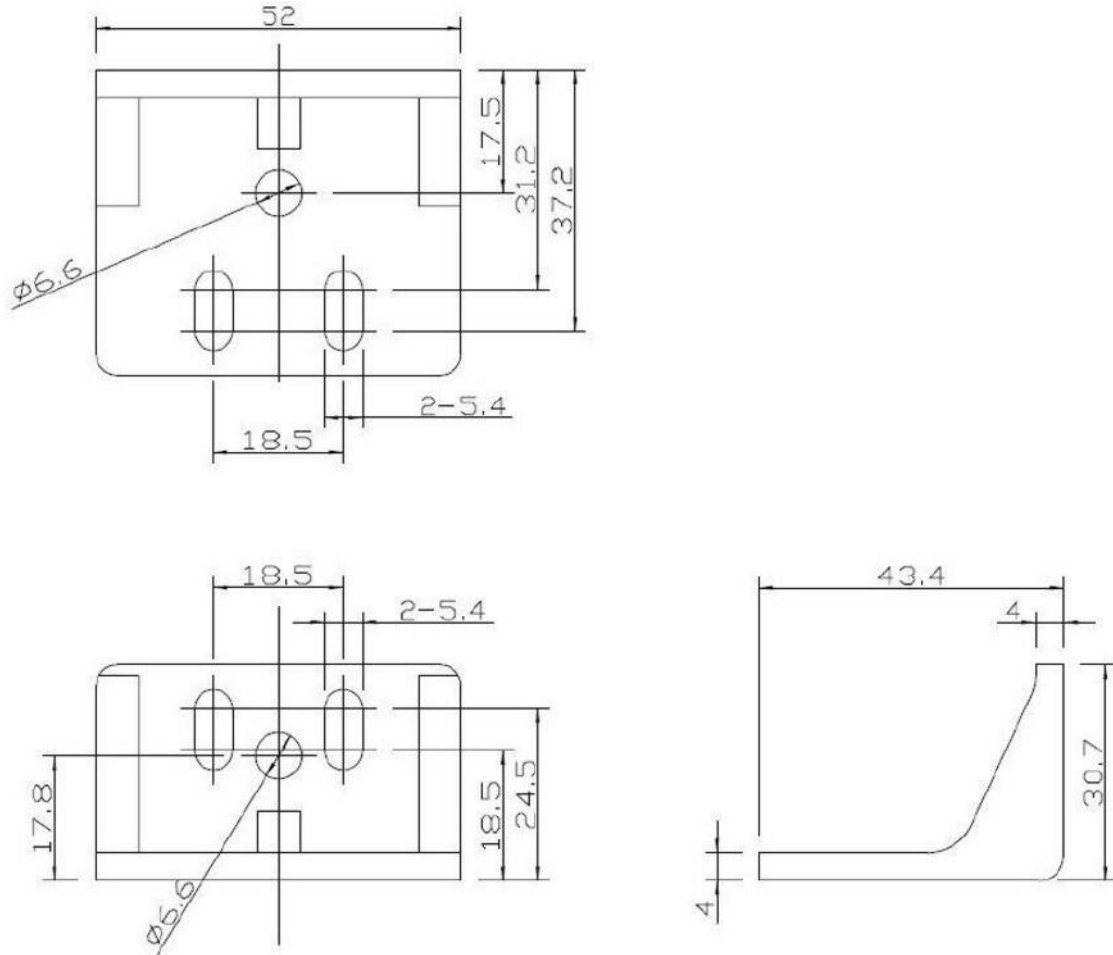


Fig 113 - ST-KPxMP

Angled fixing bracket mounting with orientable and antivibration supports

MODEL	DESCRIPTION	CODE
ST-K4OR	Orientable supports (4 pcs kit)	95ACC1680
ST-K6OR	Orientable supports (6 pcs kit)	95ACC1690
ST-K4AV	Antivibration supports (4 pcs kit)	95ACC1700
ST-K6AV	Antivibration supports (6 pcs kit)	95ACC1710

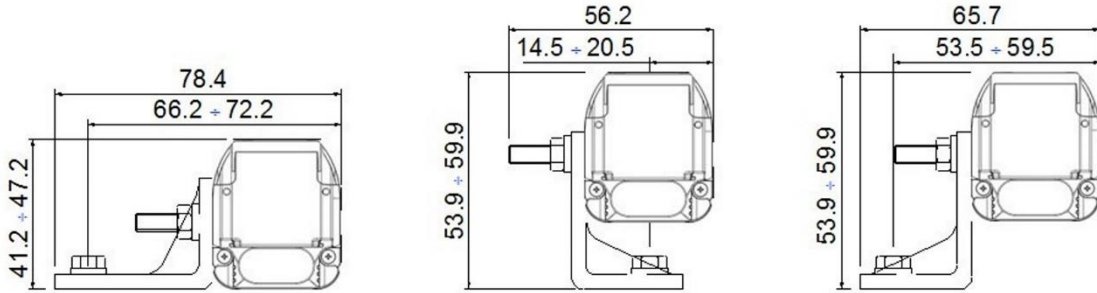


Fig 114 - Angled fixing bracket

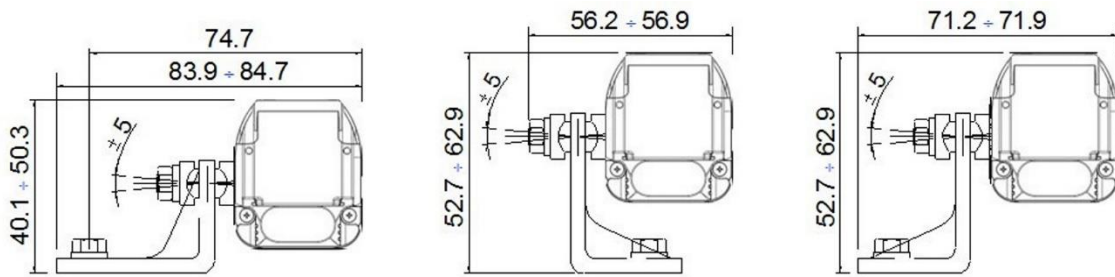


Fig 115 - Angled fixing bracket + Orientable support

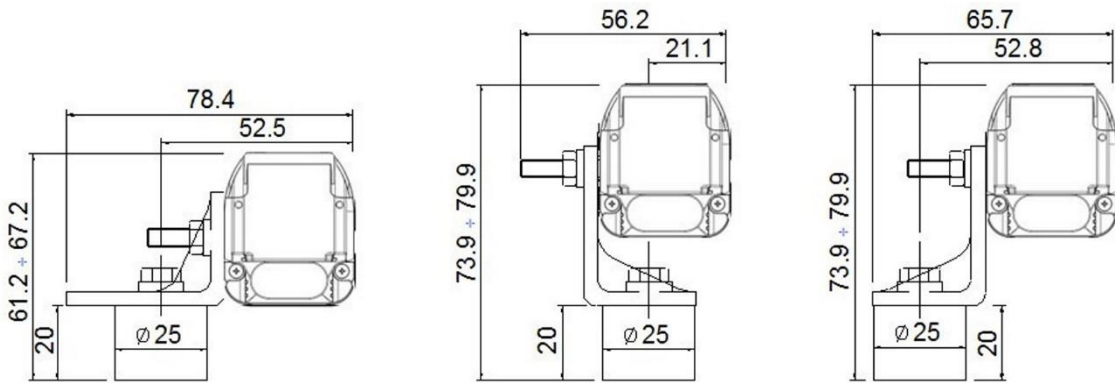


Fig 116 - Angled fixing bracket + Antivibration support

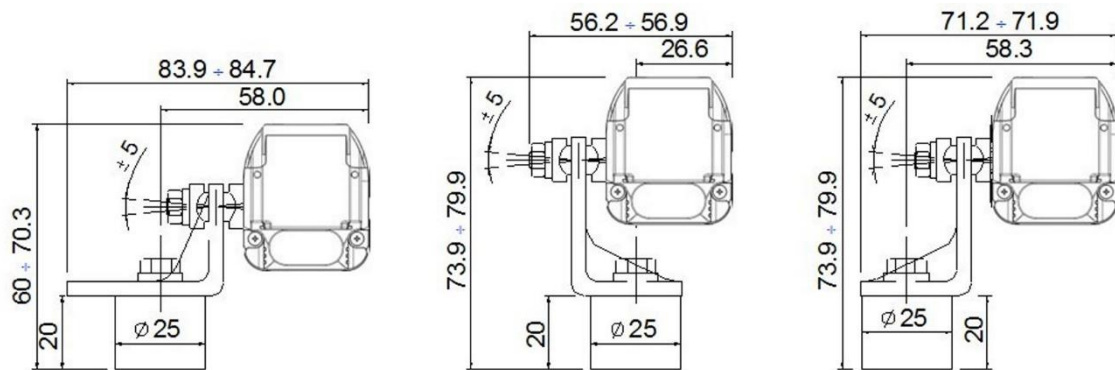


Fig 117 - Angled fixing bracket + Orientable support + Antivibration support

16.3 (ST-KCASCADE-SG EXTENDED) CASCADE BRACKET

MODEL	DESCRIPTION	CODE
ST-KCASCADE-SG EXTENDED	Bracket	95ASE2110

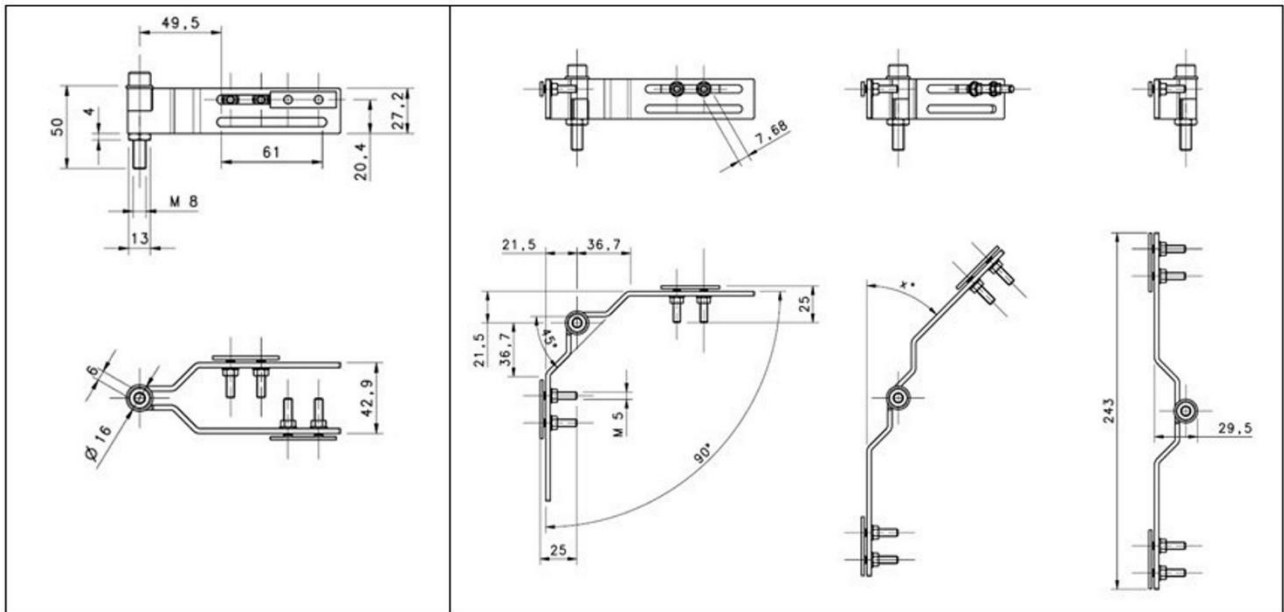
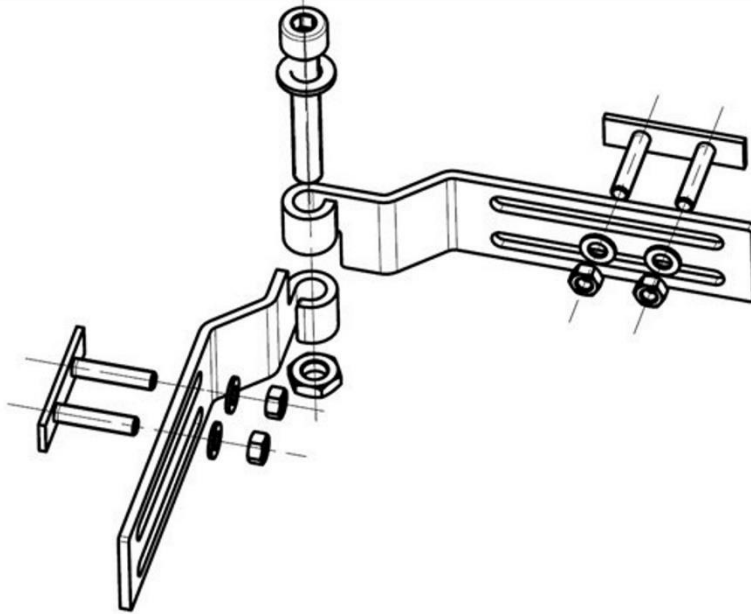


Fig 118 - Dimensions (mm)

16.4 (SG-PSB) PROTECTIVE STANDS

MODEL	DESCRIPTION	L (mm)	CODE
SG-PSB 600	Protective stand H=600 mm	600	95ASE2240
SG-PSB 1000	Protective stand H=1000 mm	1000	95ASE2250
SG-PSB 1200	Protective stand H=1200 mm	1200	95ASE2260
SG-PSB 1650	Protective stand H=1650 mm	1650	95ASE2270
SG-PSB 1900	Protective stand H=1900 mm	1900	95ASE2280

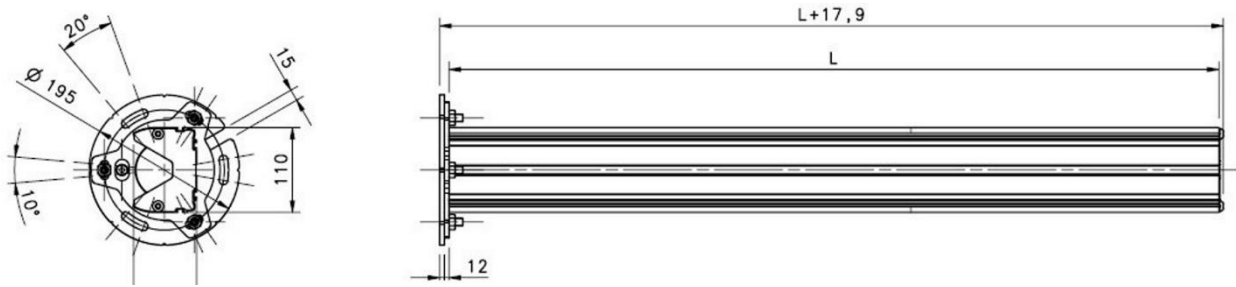


Fig 119 - Dimensions (mm)

Mounting kit

MODEL	DESCRIPTION	CODE
ST-PS4-SG-SE	Mounting kit (4 pcs kit)	95ASE1750
ST-PS6-SG-SE	Mounting kit (6 pcs kit)	95ASE1760

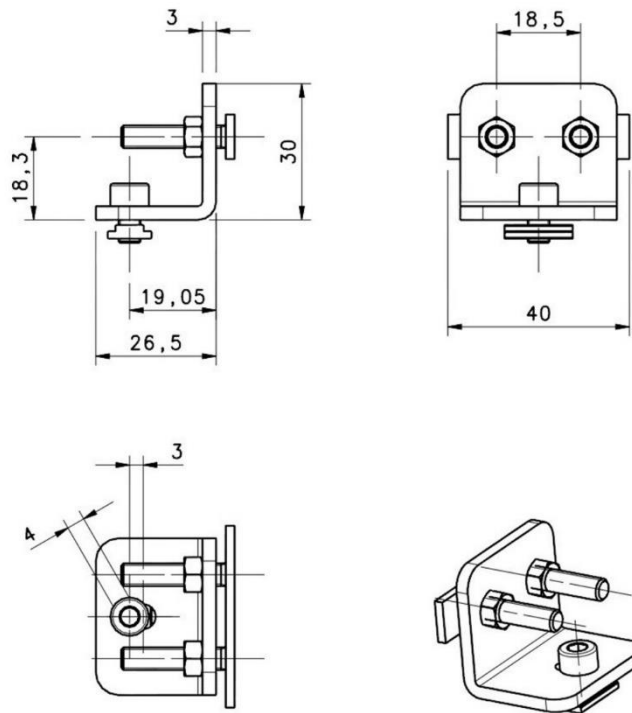


Fig 120 - Fixing kit

16.5 (SG-P) PLATE KIT FOR PROTECTIVE STANDS

MODEL	DESCRIPTION	CODE
SG-P	Plate kit with springs	95ASE2290

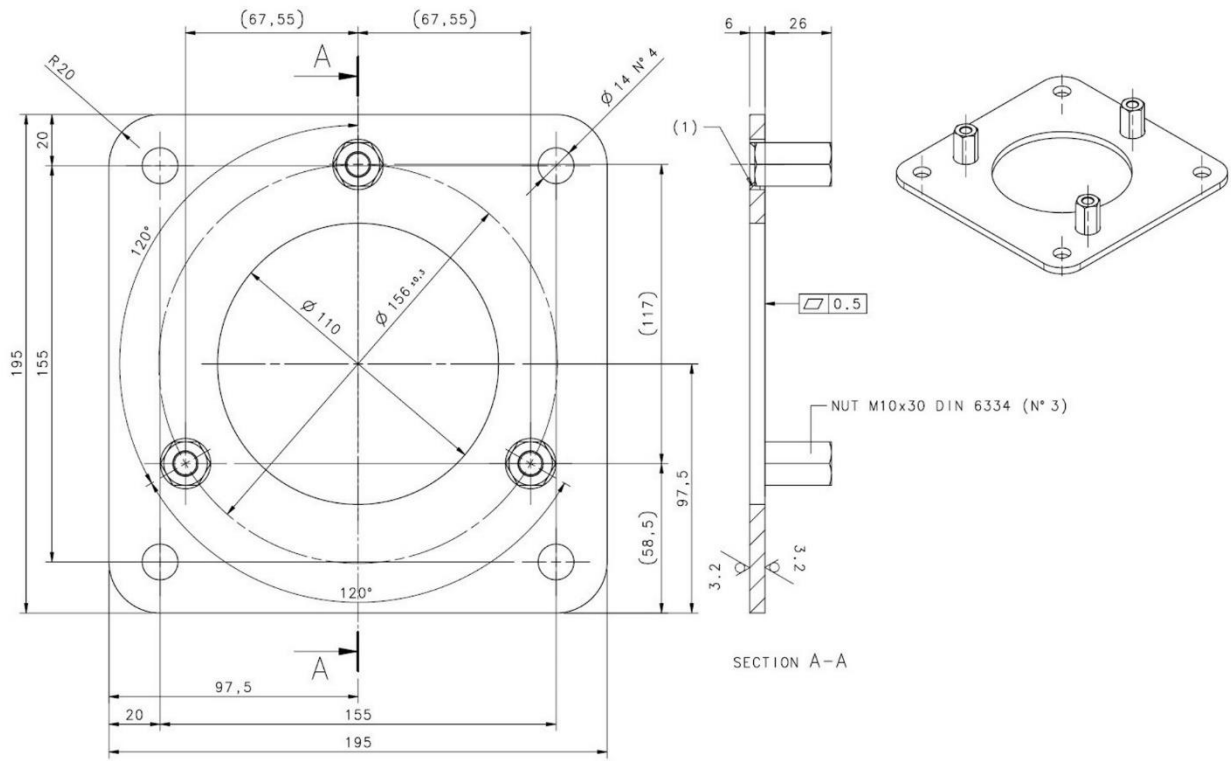


Fig 121 - Dimensions (mm)

Mounting with SG-PSB

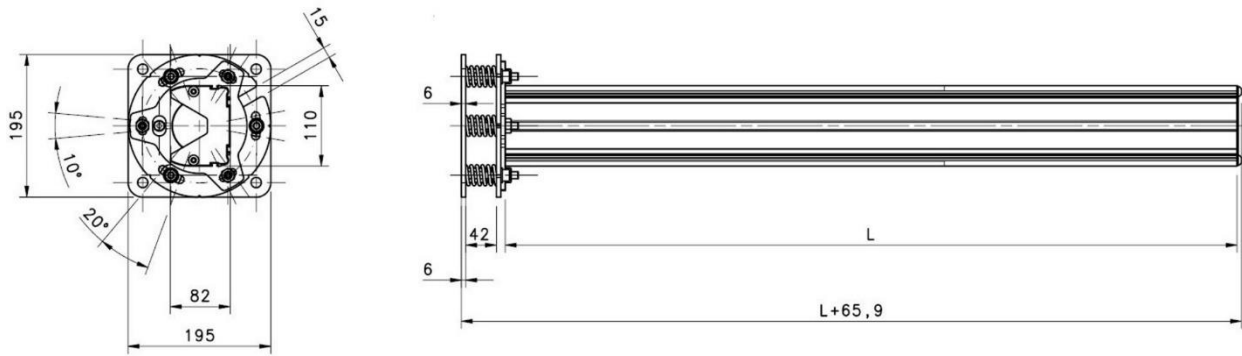


Fig 122 - Mounting

16.6 (SE-S) COLUMNS AND FLOOR STANDS

MODEL	DESCRIPTION	L(mm)	X (mm)	CODE
SE-S 800	Column and floor stand H= 800 mm	800	30x30	95ACC1730
SE-S 1000	Column and floor stand H= 1000 mm	1000	30x30	95ACC1740
SE-S 1200	Column and floor stand H= 1200 mm	1200	30x30	95ACC1750
SE-S 1500	Column and floor stand H= 1500 mm	1500	45x45	95ACC1760
SE-S 1800	Column and floor stand H= 1800 mm	1800	45x45	95ACC1770

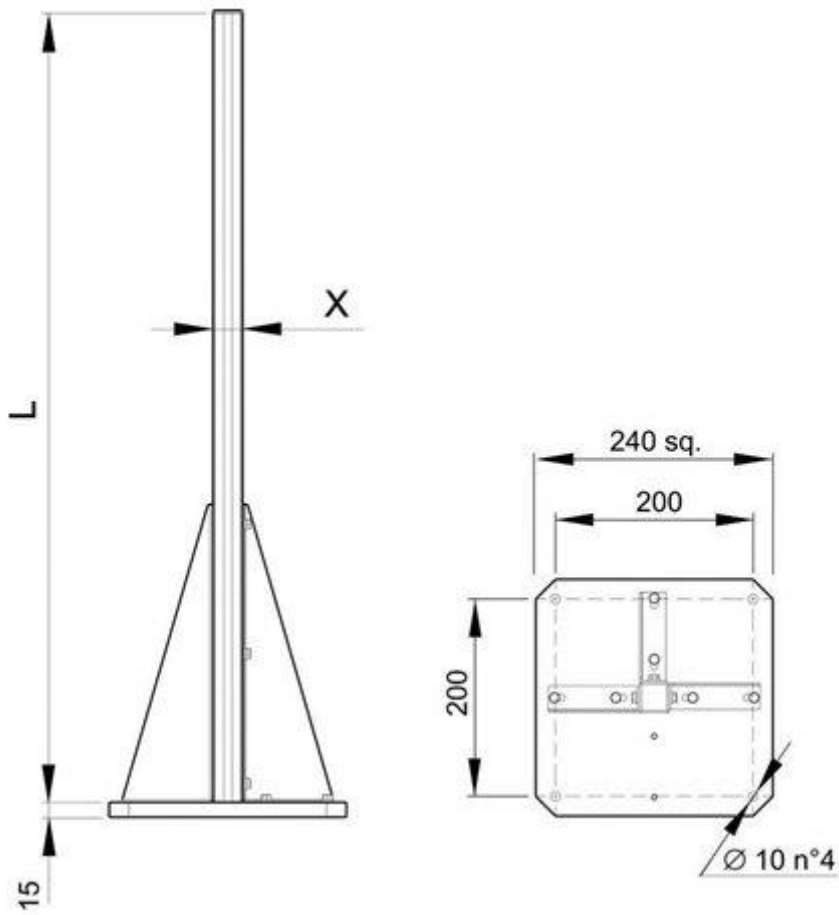


Fig 123 - Dimensions (mm)

16.7 (SG-DM) DEVIATING MIRRORS

MODEL	DESCRIPTION	L1 (mm)	L2 (mm)	L3 (mm)	CODE
SG-DM 600	Deviating mirror version 600 mm	545	376	580	95ASE1680
SG-DM 900	Deviating mirror version 900 mm	845	676	880	95ASE1690
SG-DM 1200	Deviating mirror version 1200 mm	1145	976	1180	95ASE1700
SG-DM 1650	Deviating mirror version 1650 mm	1595	1426	1630	95ASE1710
SG-DM 1900	Deviating mirror version 1900 mm	1845	1676	1880	95ASE1720

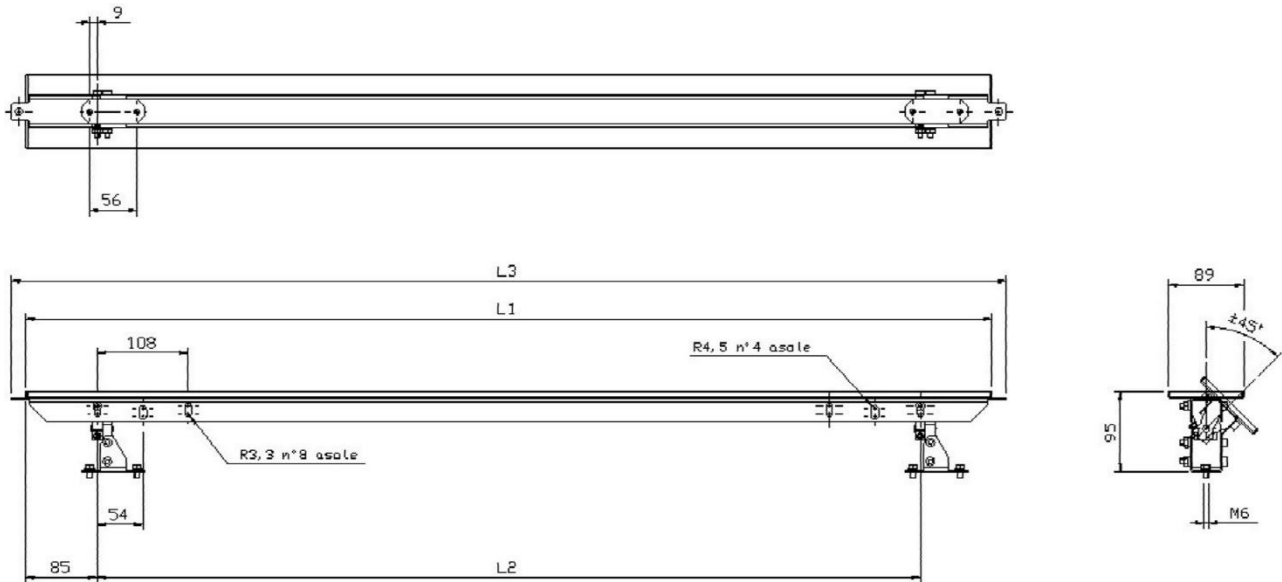


Fig 124 - Dimensions (mm)

The image includes the mirror SG-DM and a mounting kit ST-DM.

MODEL	DESCRIPTION	CODE
SG-DM 150	Deviating mirror version 150 mm	95ASE1670

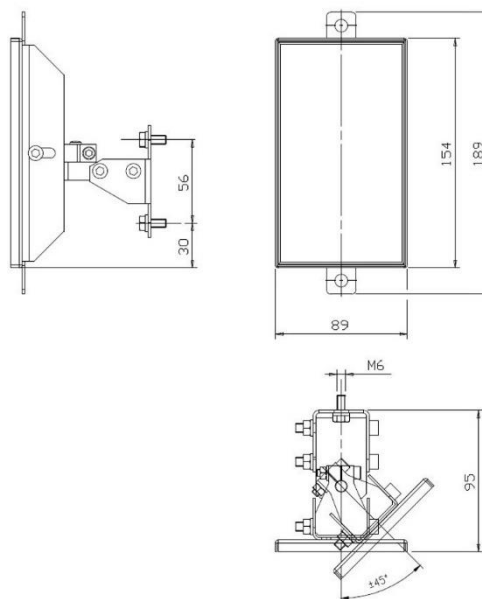


Fig 125 - SG-DM 150 Dimensions (mm)

The image includes the mirror SG-DM and a mounting kit ST-DM.

Mounting kit for SG-DM with SE-S column and floor stands

MODEL	DESCRIPTION	CODE
ST-DM	SG-DM mounting kit (2 pcs kit)	95ASE1940

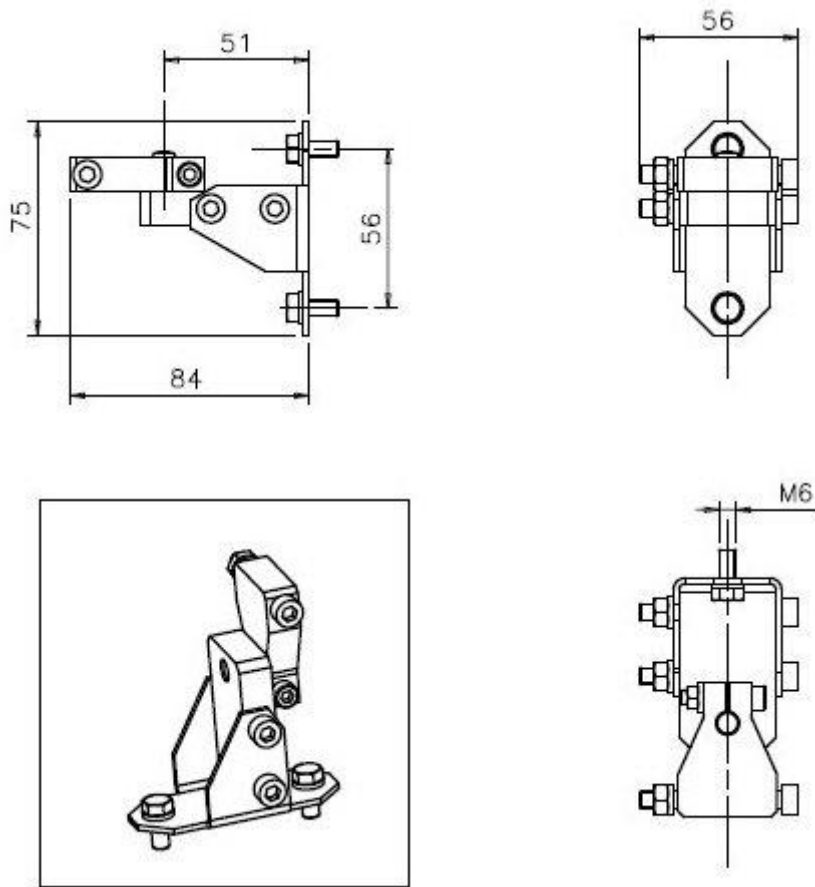


Fig 126 - Mounting kit

For each SG-DM mirror order 1 mounting kit ST-DM.

Mounting kit SG-DM on SG-PSB (ST-PS-DM)

MODEL	DESCRIPTION	CODE
ST-PS-DM	Deviating mirror SG-DM mounting kit (2 T-nuts)	95ASE1770

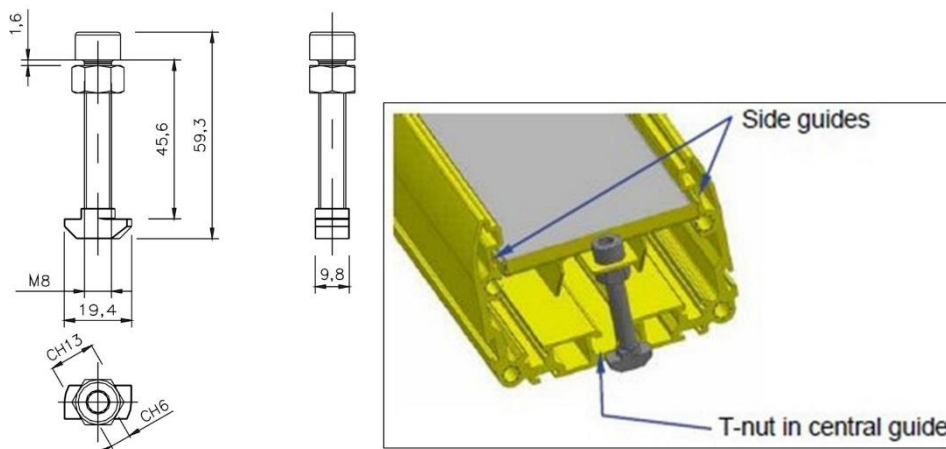


Fig 127 - Mounting kit

For each SG-DM mirror order 1 mounting kit ST-PS-DM.

16.8 (TP) TEST PIECE

MODEL	DESCRIPTION	CODE
TP-14	Test piece Ø 14mm L=300mm	95ACC1630
TP-20	Test piece Ø 20mm L=300mm	95ACC1640
TP-24	Test piece Ø 24mm L=200mm	95ASE2570
TP-30	Test piece Ø 30mm L=300mm	95ACC1650
TP-34	Test piece Ø 34mm L=200mm	95ASE2580
TP-35	Test piece Ø 35mm L=300mm	95ACC1660
TP-40	Test piece Ø 40mm L=300mm	95ACC1820
TP-50	Test piece Ø 50mm L=300mm	95ACC1790
TP-90	Test piece Ø 90mm L=300mm	95ACC1800

16.9 CONNECTION CABLES

5-pole M12 cables

MODEL	DESCRIPTION	CODE
CS-A1-03-U-03	5-pole M12 cable (axial) 3 m UL2464	95ASE1170
CS-A1-03-U-05	5-pole M12 cable (axial) 5 m UL2464	95ASE1180
CS-A1-03-U-10	5-pole M12 cable (axial) 10 m UL2464	95ASE1190
CS-A1-03-U-15	5-pole M12 cable (axial) 15 m UL2464	95ASE1200
CS-A1-03-U-25	5-pole M12 cable (axial) 25 m UL2464	95ASE1210
CS-A1-03-U-50	5-pole M12 cable (axial) 50 m UL2464	95A252700

12-pole M12 cables

MODEL	DESCRIPTION	CODE
CS-A1-10-U-03	12-pole M12 cable (axial) 3 m UL2464	95A252720
CS-A1-10-U-05	12-pole M12 cable (axial) 5 m UL2464	95A252730
CS-A1-10-U-10	12-pole M12 cable (axial) 10 m UL2464	95A252740
CS-A1-10-U-15	12-pole M12 cable (axial) 15 m UL2464	95A252750
CS-A1-10-U-25	12-pole M12 cable (axial) 25 m UL2464	95A252760
CS-A1-10-U-50	12-pole M12 cable (axial) 50 m UL2464	95A252770

8-pole M12 cables

MODEL	DESCRIPTION	CODE
CS-A1-06-U-03	8-pole M12 cable (axial) 3 m UL2464	95ASE1220
CS-A1-06-U-05	8-pole M12 cable (axial) 5 m UL2464	95ASE1230
CS-A1-06-U-10	8-pole M12 cable (axial) 10 m UL2464	95ASE1240
CS-A1-06-U-15	8-pole M12 cable (axial) 15 m UL2464	95ASE1250
CS-A1-06-U-25	8-pole M12 cable (axial) 25 m UL2464	95ASE1260
CS-A1-06-U-50	8-pole M12 cable (axial) 50 m UL2464	95A252710

16.10 PIGTAIL CABLES

TX - PIGTAIL CABLE (M12 5 POLES included in SG4-N models)

MODEL	DESCRIPTION	CODE
CS-G1-50-B-002	SG EXTENDED TX 0.2m	95A252820

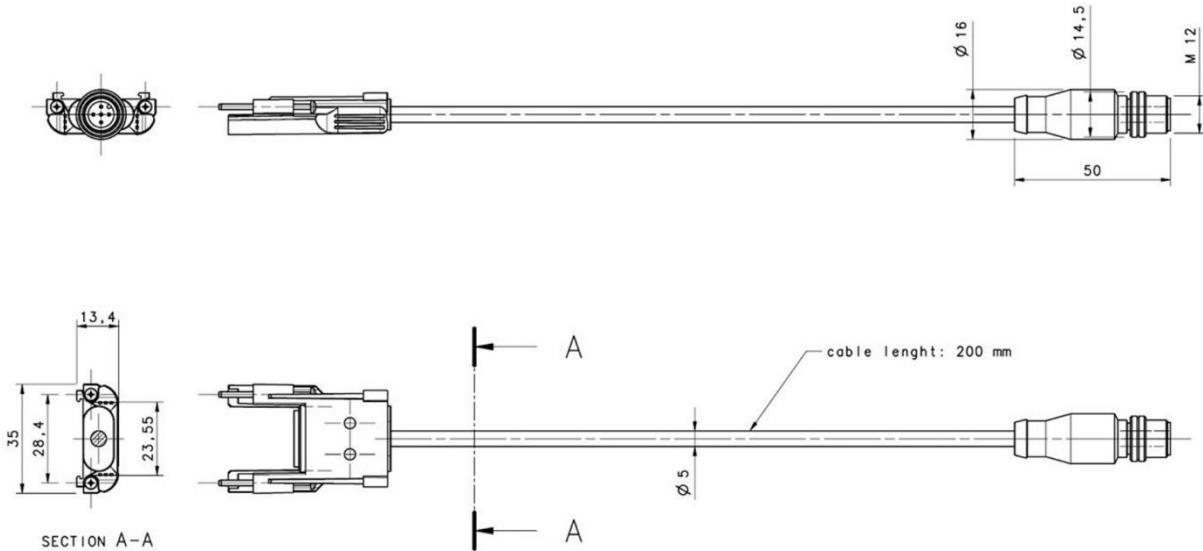


Fig 128 - TX - Pigtail cable

This is the Pig-Tail cable that must be always used for TX UNIT SG4 EXTENDED. It has a 18 poles socket in one side and a M12 5 poles in the other.

RX BLANKING - PIGTAIL CABLE (M12 12 POLES)

MODEL	DESCRIPTION	CODE
CS-G1-70-B-002	SG EXTENDED RX BLANKING 0.2m	95A252830

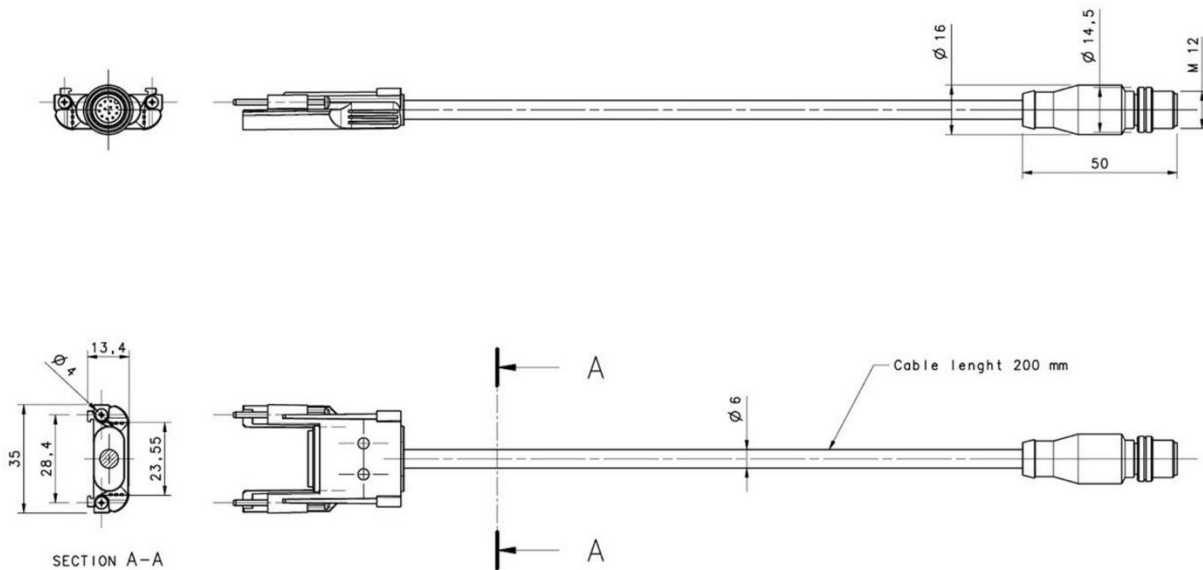


Fig 129 - RX BLANKING - Pigtail cable

This is the Pig-Tail cable that must be used for RX UNIT of SG4 EXTENDED when you configure it in BLANKING MODE and DO NOT USE SG4-DONGLE. It has an 18-pole socket in one side and a M12 12 poles in the other.

RX MUTING - PIGTAIL CABLE (M12 12 POLES + M12 5 POLES)

MODEL	DESCRIPTION	CODE
CS-R1-75-B-002	SG EXTENDED RX MUTING 0.2m	95A252810

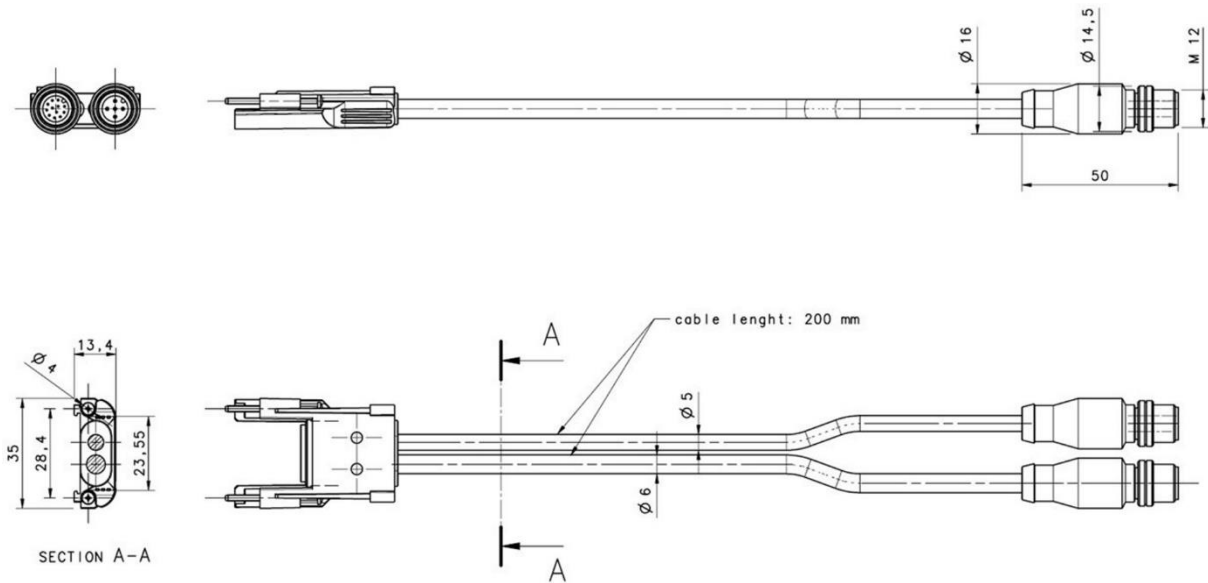


Fig 130 - RX MUTING - Pigtail cable

It has an 18 poles socket in one side and a M12 5 poles and a M12 12-pole in the other.

This is the Pig-Tail cable that must be always used for RX UNIT SG4 EXTENDED when you configure it in MUTING MODE and DON'T USE SG4-DONGLE. It has an 18-pole socket in one side and a M12 5-pole plus M12 12-pole in the other.

RX MUTING SG4-N- PIGTAIL CABLE (M12 8 POLES included in SG4-N models)

MODEL	DESCRIPTION	CODE
CS-G1-60-B-002	SE CROSSOVER 0.2m	95A252910

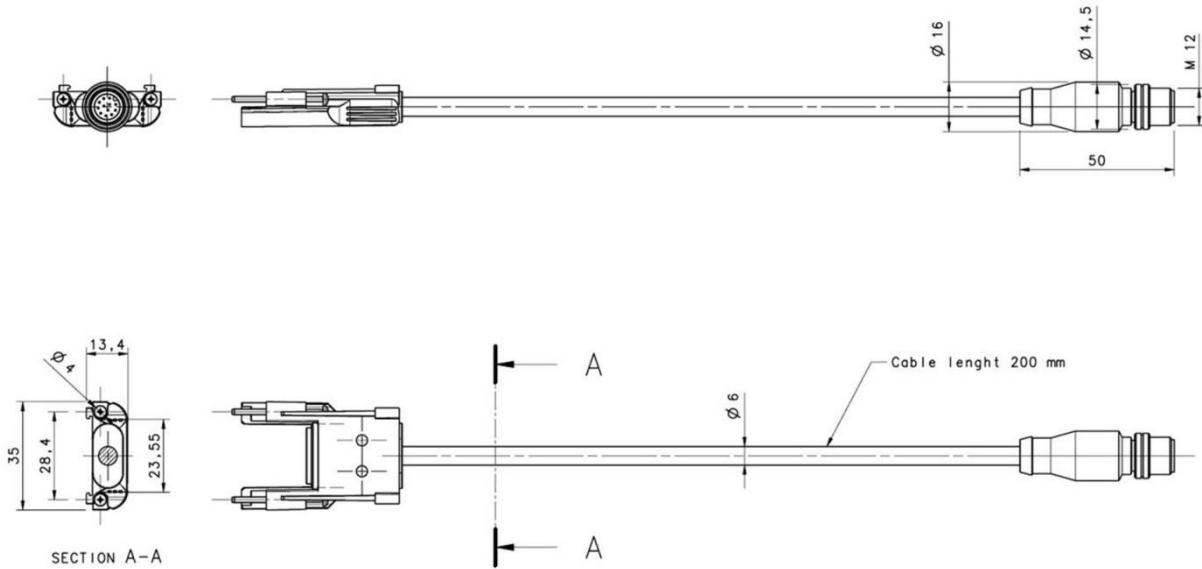


Fig 131 – RX MUTING SG4-N - Pigtail cable

This is the pig-tail cable that must be used on RX UNIT for SG4-N models. It has one 18-pole socket on one side and one M12 8-pole on the other.

16.11 CASCADE CABLES

MODEL	DESCRIPTION	CODE
CS-F1-80-B-01	Cascade cable 1 m	95A252840
CS-F1-80-B-005	Cascade cable 0.5 m	95A252850
CS-F1-80-B-0005	Cascade cable 0.05 m	95A252860

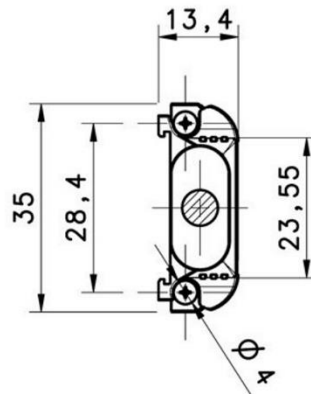
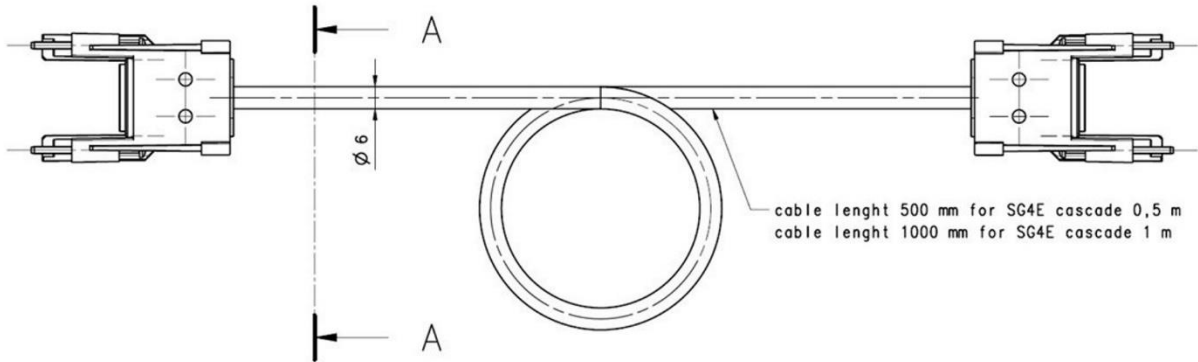


Fig 132 - Dimensions (mm)

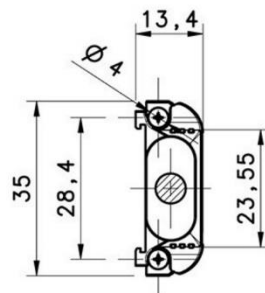
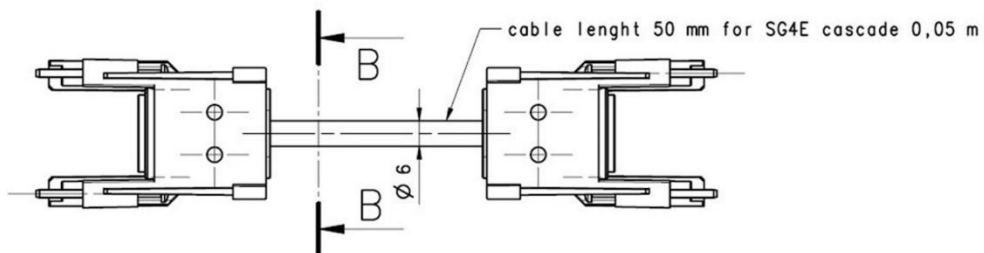


Fig 133 - CS-F1-80-B-0005 Dimensions (mm)

16.12 (SG-LP) LASER POINTER

MODEL	DESCRIPTION	CODE
SG-LP	Laser pointer	95ASE5590

The laser pointer of the SG-LP series represents a valid alignment and installation support for the safety light curtain series.

The pointer can be moved along the light curtain profile to verify the complete device alignment (top and bottom).

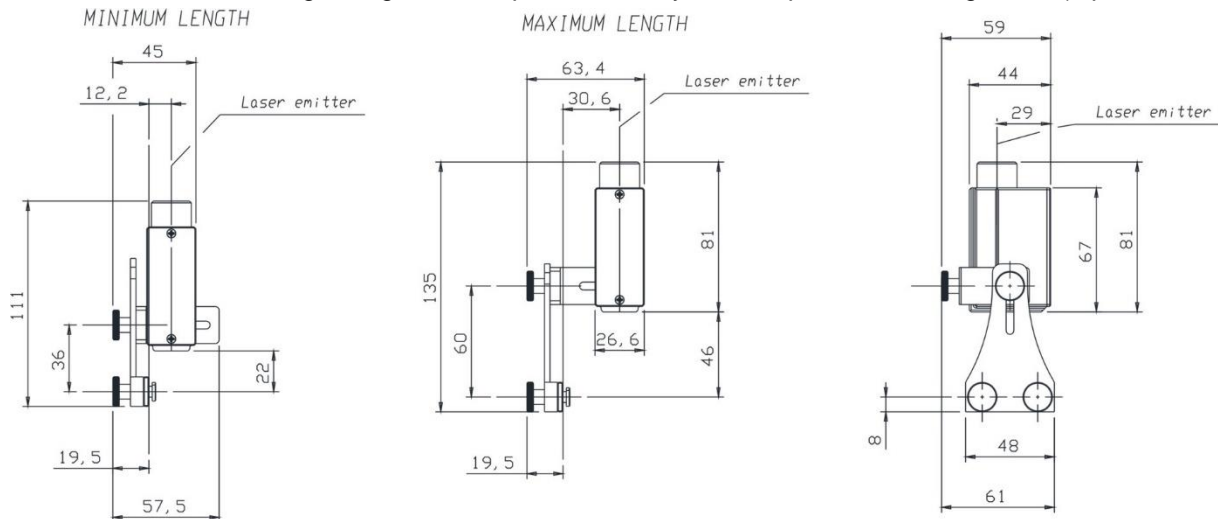


Fig 134 - Dimensions (mm)



Fig 135 - Laser pointer

16.13 (SG4-DONGLE) ETHERNET ADAPTOR

MODEL	DESCRIPTION	CODE
SG4-DONGLE	Ethernet adaptor	95ASE2080

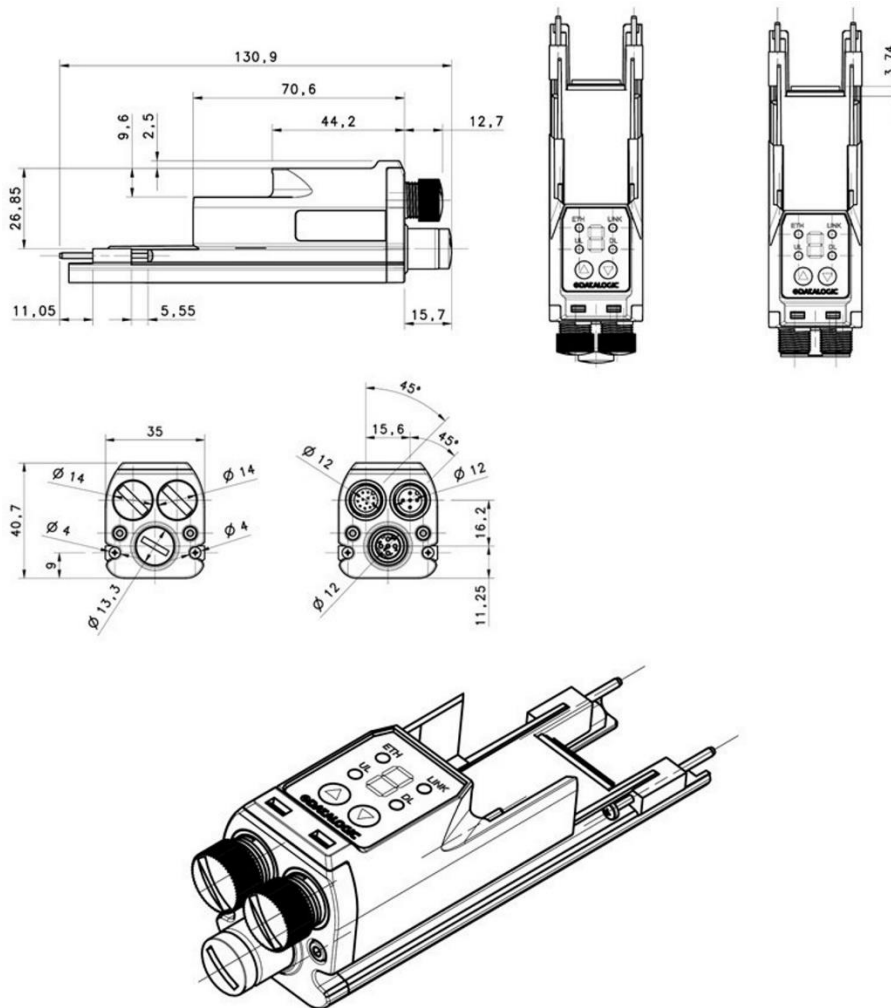


Fig 136 - Dimensions (mm)



Order the Ethernet cable CAB-ETH-xxx for connect SG4-DONGLE directly to computer.

16.14 ETHERNET CABLE SG4-DONGLE - PC (CAB-ETH-XXX)

MODEL	DESCRIPTION	CODE
CAB-ETH-M01	Ethernet cable M12-IP67 (1 m)	93A051346
CAB-ETH-M03	Ethernet cable M12-IP67 (3 m)	93A051347
CAB-ETH-M05	Ethernet cable M12-IP67 (5 m)	93A051348

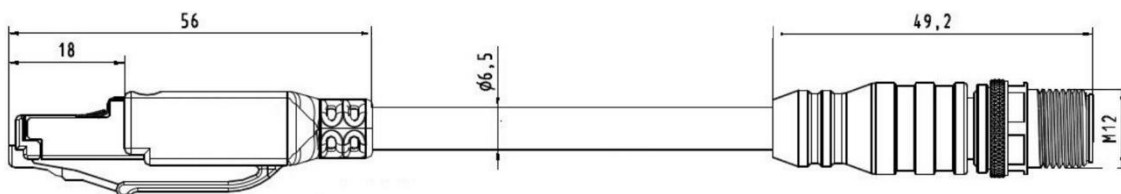


Fig 137 - Dimensions (mm)

16.15 (SE-SR2) SAFETY RELAY

MODEL	DESCRIPTION	CODE
SE-SR2	Type 4 safety relay - 3 NO 1 NC	95ACC6170

The drawing show the connection between the safety light curtain and the Type 4 safety relay of the SE-SR2 series operating in the automatic Restart mode.

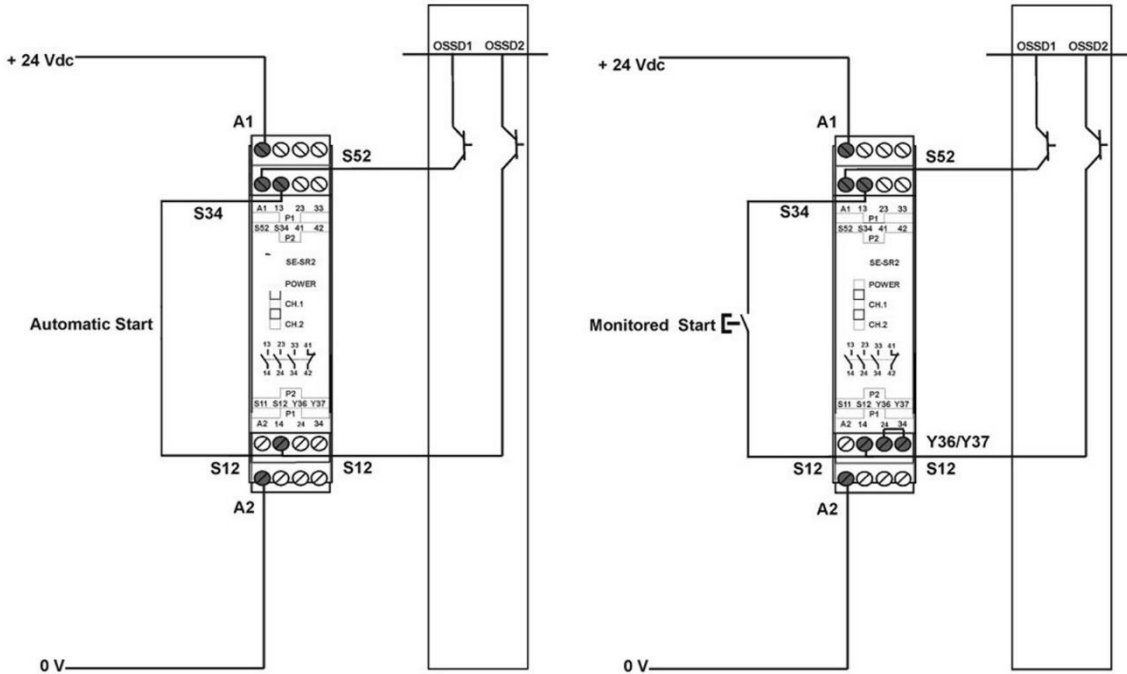


Fig 138 - Safety relay

16.16 (CSME-03VU24-Y14) EDM RELAY BOX

MODEL	DESCRIPTION	CODE
CSME-03VU24-Y14	EDM Relay	95ASE1270

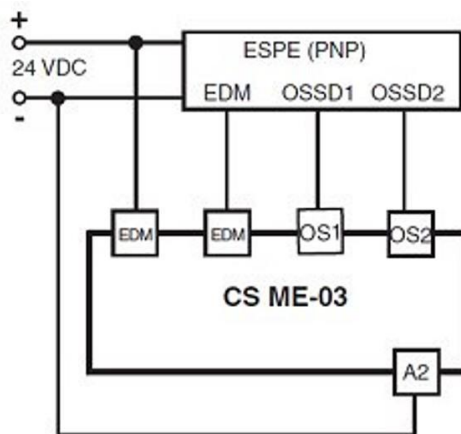


Fig 139 - EDM Relay

16.17 (LMS) MUTING LAMPS

MODEL	DESCRIPTION	CODE
LMS	Muting lamp	95ASE1830
LMS-1	Modular Muting lamp	95ACC1990
LMS-2	Muting lamp –horizontal mounting	95ACC2000
LMS-3	Muting lamp –vertical mounting	95ACC2010
SU-LMS-1A	Basic support for LMS-1	95ACC2020
SU-LMS-1B	Tower module for LMS-1	95ACC2030

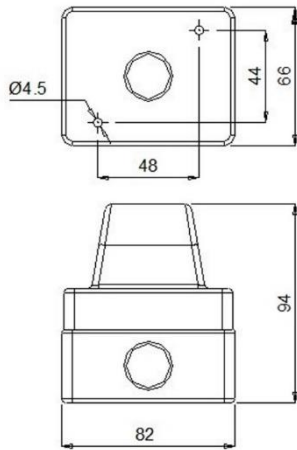


Fig 140 - LampLMS

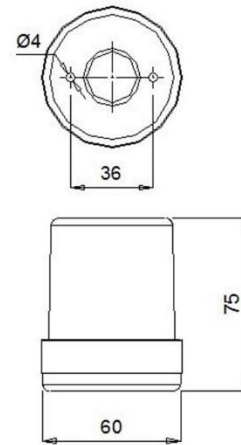


Fig 141 - Lamp LMS-2

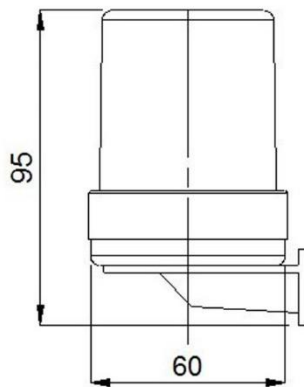


Fig 142 - LampLMS-3

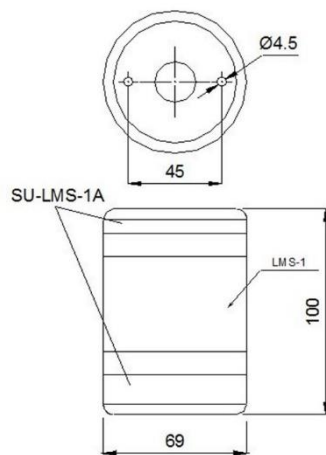
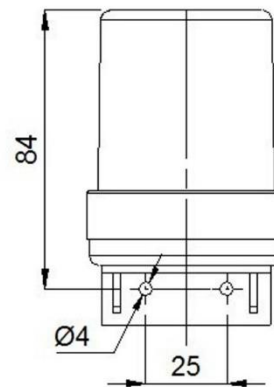


Fig 143 - Module SU-LMS-1A + LMS-1

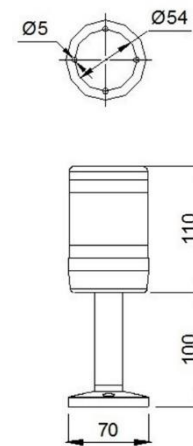


Fig 144 - Module SU-LMS-1B + LMS-1

16.18 SINGLE MUTING ARMS

MODEL	DESCRIPTION	CODE
SG-AS-ARM V2	Single active arm with RRX sensors V2	95ASE1841
SG-PR-ARM V2	Single passive arm with reflectors V2	95ASE1851
SG-F1-G1-ARMS	F1-G1 Muting arms	95ASE1880
SG-F2-G2-ARMS	F2-G2 Muting arms	95ASE1890

SG4-P light curtains can be equipped with retro-reflective Muting arms to obtain the “T” or “L” configuration.

The following figures show, respectively, the dimensions of single active arms, of single passive arms, and the corresponding fixing bracket stand alone.

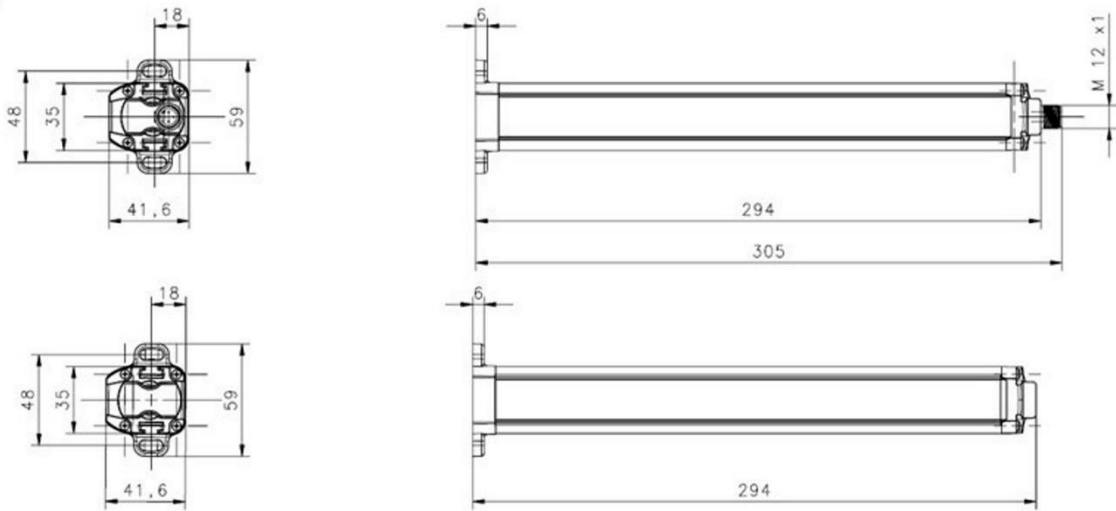


Fig 145 - Dimensions (mm)

MODEL	DESCRIPTION	CODE
SG-CB-C	Muting arms mounting bracket kit	95ASE1930

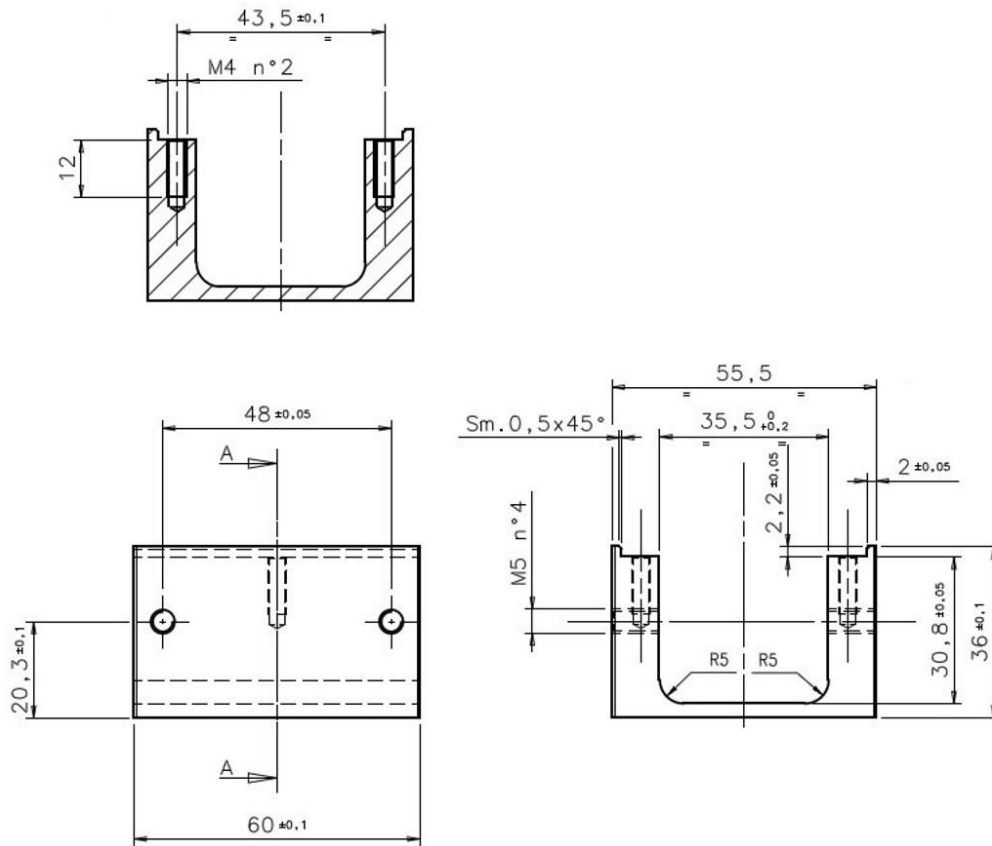


Fig 146 - Mounting bracket

**To obtain a 'L' configuration with F/G arms use SG-F1-G1-ARMS together with 2 pieces of SG-CB-C.
Please install F1 arm on RX unit and G1 arm on TX in order to have them facing one to another.**

**To obtain a 'T' configuration with F/G arms use SG-F1-G1-ARMS and SG-F2-G2-ARMS together with 2 pieces of SG-CB-C.
Please install F1 and F2 arms on RX unit and G1 and G2 arms on TX in order to have them facing one to another.**



16.19 DOUBLE MUTING ARMS

MODEL	DESCRIPTION	CODE
SG-L-ARMS V2	Active/Passive arms L couple V2	95ASE1861
SG-T-ARMS V2	Active/Passive arms T couple V2	95ASE1871

The following figures show, respectively, the dimensions of single active arms with fixing bracket mounted, of single passive arms with fixing bracket mounted, of double active arms with fixing bracket mounted, of double passive arms with fixing bracket mounted.

ACTIVE/PASSIVE ARMS L

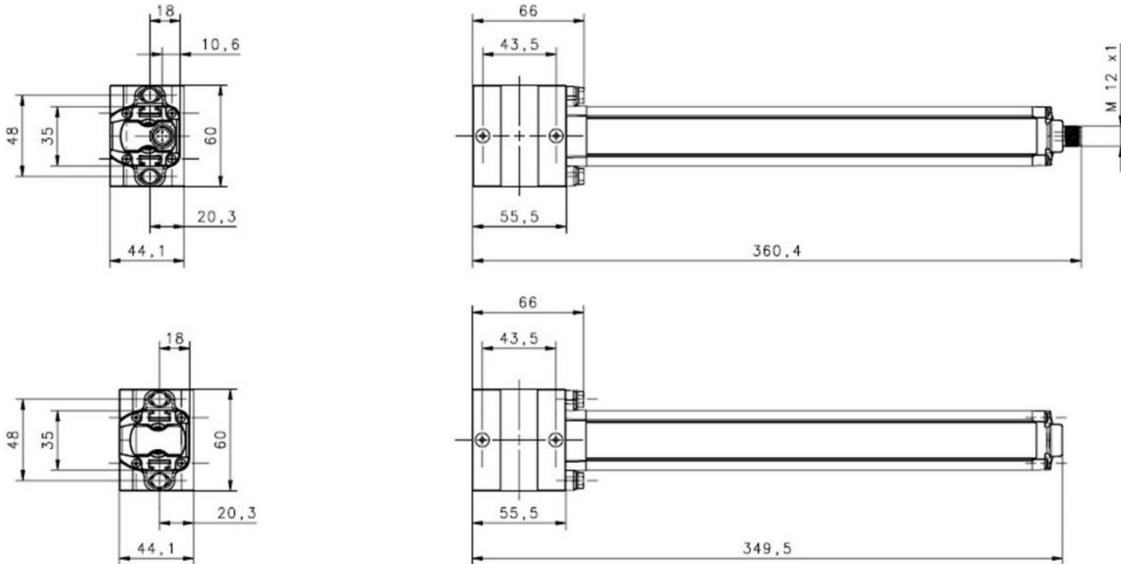


Fig 147 - Active/Passive arms L

ACTIVE/PASSIVE ARMS T

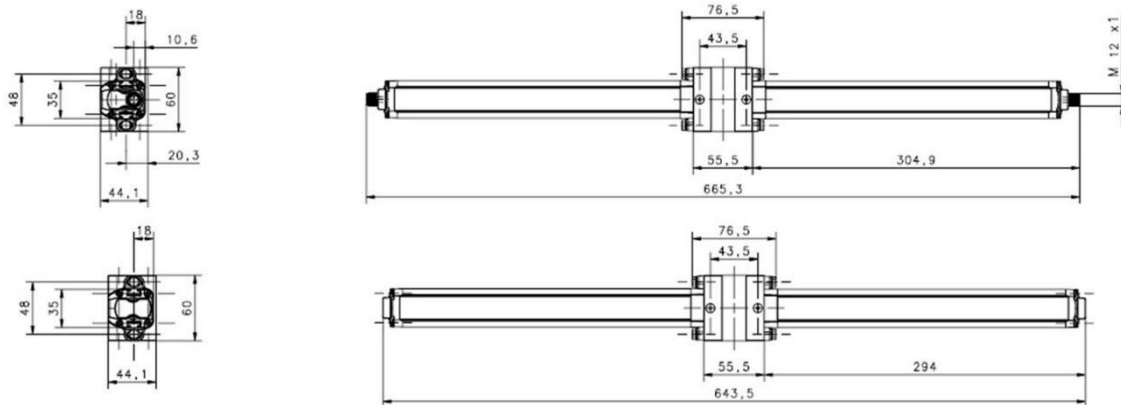


Fig 148 - Active/Passive arms T

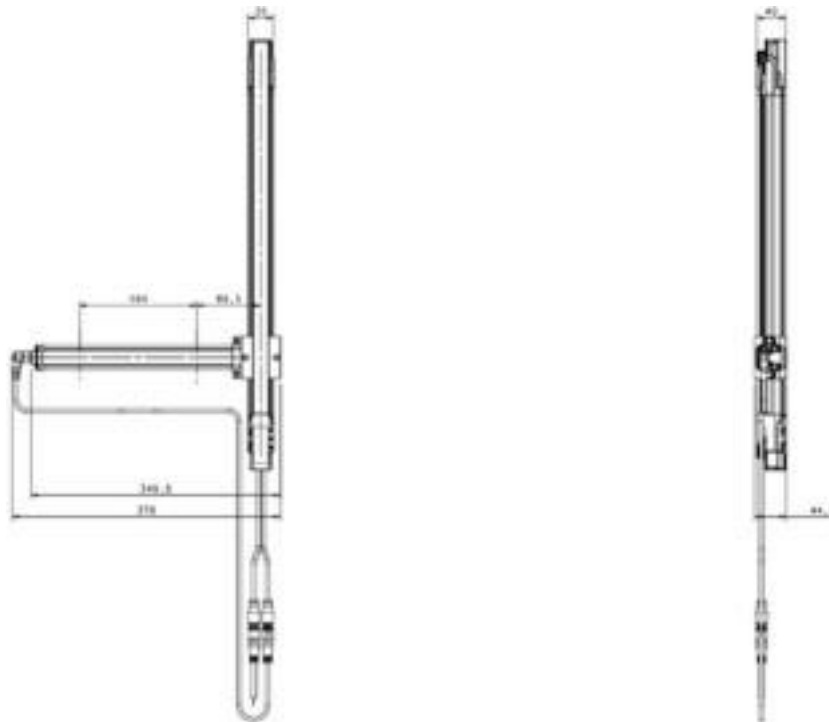


Fig 149 - Light curtain + Active/Passive arms L

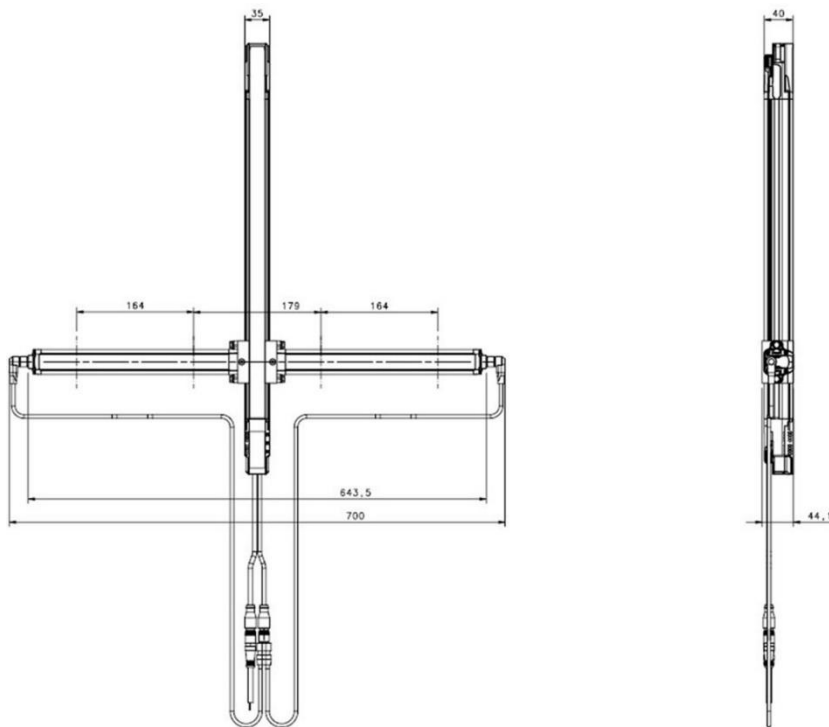


Fig 150 - Light curtain + Active/Passive arms T

16.20 (SG-M) MUTING ARMS WITH EXTERNAL SENSORS

System is compatible with all SG safety light curtains with muting function feature.

For correct use and safety prescriptions refer to the user manual of DATALOGIC safety light curtains where muting kit is installed.

With muting modular systems is possible to arrange multiple configurations.

MODEL	DESCRIPTION	CODE
SG-ML-S8-L	Kit for L Muting, left side: 2 sensors S8-PR-5-B01-PP; 2 reflectors; 1 active arm; 1 passive arm; 2 cable-lockers; 2x 700mm cables with M12 connectors	95ASE2600
SG-ML-S8-R	Kit for L Muting, right side: 2 sensors S8-PR-5-B01-PP; 2 reflectors; 1 active arm; 1 passive arm; 2 cable-lockers; 2 x 700mm cables with M12 connectors	95ASE2370
SG-ML-S8-200-L	Kit for L Muting, left side: 2 sensors S8-PR-5-B01-PP; 2 reflectors; 1 active arm; 1 passive arm; 2 cable-lockers; 2 x 2000mm cables with M12 connectors	95ASE2590
SG-ML-S8-200-R	Kit for L Muting, right side: 2 sensors S8-PR-5-B01-PP; 2 reflectors; 1 active arm; 1 passive arm; 2 cable-lockers; 2 x 2000mm cables with M12 connectors	95ASE2340
SG-ML-S100-L	Kit for L Muting, left side: 2 sensors S100-PR-5-B10-PK; 2 reflectors; 1 active arm; 1 passive arm; 2 cable-lockers; 2x 700mm cables with M12 connectors	95ASE2620
SG-ML-S100-R	Kit for L Muting, right side: 2 sensors S100-PR-5-B10-PK; 2 reflectors; 1 active arm; 1 passive arm; 2 cable-lockers; 2x 700mm cables with M12 connectors	95ASE2430
SG-ML-S100-200-L	Kit for L Muting, left side: 2 sensors S100-PR-5-B10-PK; 2 reflectors; 1 active arm; 1 passive arm; 2 cable-lockers; 2 x 2000mm cables with M12 connectors	95ASE2610
SG-ML-S100-200-R	Kit for L Muting, right side: 2 sensors S100-PR-5-B10-PK; 2 reflectors; 1 active arm; 1 passive arm; 2 cable-lockers; 2 x 2000mm cables with M12 connectors	95ASE2400

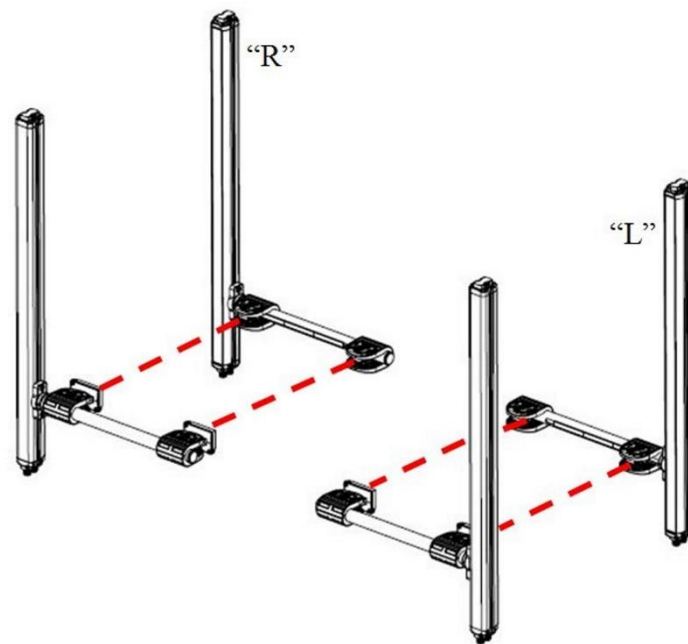


Fig 151 - L-MUTING

MODEL	DESCRIPTION	CODE
SG-MT-S8	Kit for T Muting: 4 sensors S8-PR-5-B01-PP; 4 reflectors; 2 active arms; 2 passive arms; 4 cable-lockers; 4 x 700mm cables with M12 connectors	95ASE2380
SG-MT-S8-200	Kit for T Muting: 4 sensors S8-PR-5-B01-PP; 4 reflectors; 2 active arms; 2 passive arms; 4 cable-lockers; 4 x 2000mm cables with M12 connectors	95ASE2350
SG-MT-S100	Kit for T Muting: 4 sensors S100-PR-5-B10-PK; 4 reflectors; 2 active arms; 2 passive arms; 4 cable-lockers; 4 x 700mm cables with M12 connectors	95ASE2440
SG-MT-S100-200	Kit for T Muting: 4 sensors S100-PR-5-B10-PK; 4 reflectors; 2 active arms; 2 passive arms; 4 cable-lockers; 4 x 2000mm cables with M12 connectors	95ASE2410

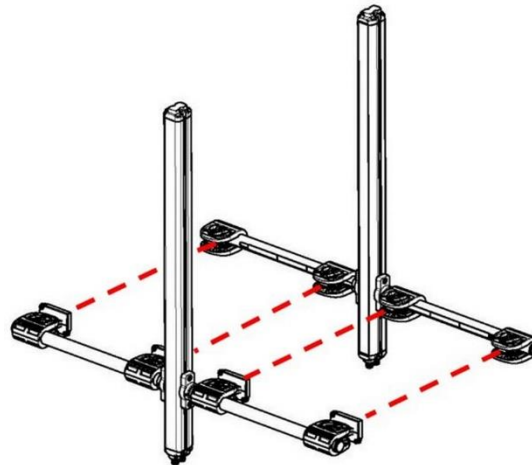


Fig 152 - T-MUTING

MODEL	DESCRIPTION	CODE
SG-MX-S8	Kit for X Muting; 2 sensors S8-PR-5-B01-PP; 2 reflectors; 2 active arms; 2 passive arms; 4 cable-lockers; 700mm pigtail cables with M12 connectors	95ASE2390
SG-MX-S8-200	Kit for X Muting; 2 sensors S8-PR-5-B01-PP; 2 reflectors; 2 active arms; 2 passive arms; 4 cable-lockers; 2000mm pigtail cables with M12 connectors	95ASE2360
SG-MX-S100	Kit for X Muting; 2 sensors S100-PR-5-B10-PK; 2 reflectors; 2 active arms; 2 passive arms; 4 cable-lockers; 700mm pigtail cables with M12 connectors	95ASE2450
SG-MX-S100-200	Kit for X Muting; 2 sensors S100-PR-5-B10-PK; 2 reflectors; 2 active arms; 2 passive arms; 4 cable-lockers; 2000mm pigtail cables with M12 connectors	95ASE2420

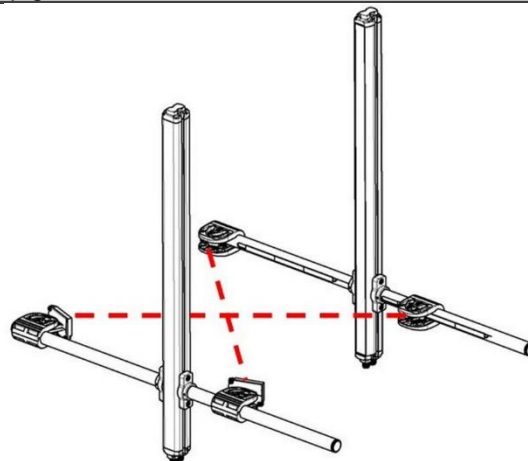


Fig 153 - X-MUTING

MOUNTING

- Put the arm slider (1) into the column slot (2).
- Fix the arm (3) in the desired position by screws (4), 1 Nm recommended tightening torque.

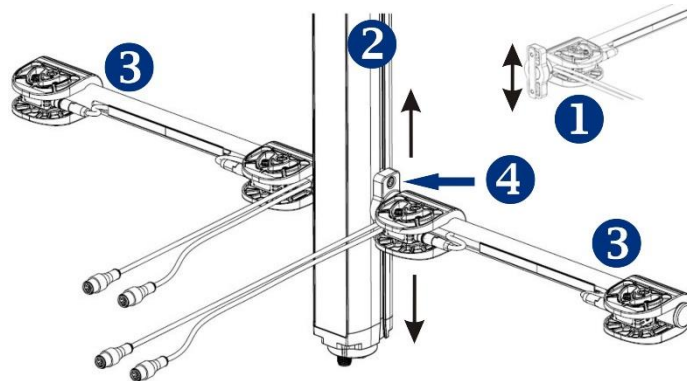


Fig 154 - Phase 1

- Rotate sensors/reflectors support (5) in the desired position; if necessary, translate support removing and spacing cable-locker (6) and fix by screws (7), 2 - 3 Nm recommended tightening torque.

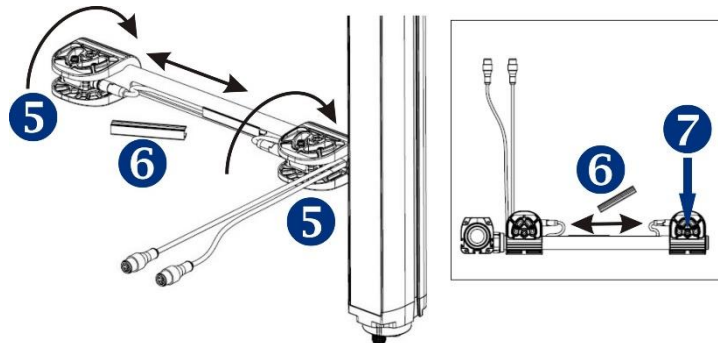


Fig 155 - Phase 2

- Loosen the two screws (8) and rotate/set the sensor/reflecter as desired, then fix by screws (8), 1 Nm recommended tightening torque.

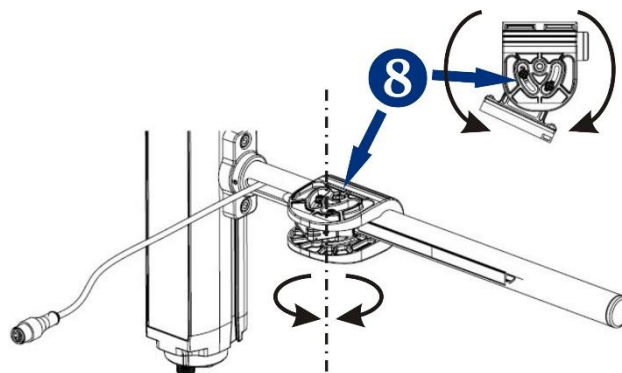


Fig 156 - Phase 3



For electrical link of SG-M kit to DATALOGIC safety curtains, is recommended to use Datalogic Connection Box SG-M-CB.
 For each muting system kit is recommended to use same sensors type.
 Sensors must be set on Dark Mode.

16.21 (SG-M-CB) CONNECTION BOX

The SG-M-CB Connection box is part of SG-M accessories for muting, to be used with DATALOGIC safety light curtains of SG series, with integrated muting function (e.g. SG BODY REFLECTOR MUTING).

Muting sensors can be connected to SG-M-CB Connection box via M12 cables.

The signals are connected to safety light curtain dedicated muting connector via approx. 0.5m long pigtail cable with M12 female connector.

Aside from the green LEDs* (to indicate sensors output status), the SG-M-CB does not contain any electronic elements and is therefore not subject to any safety classification.

Features:

- Supply and switching voltage +24V DC
- M12 connection
- Simple connection to safety light curtains

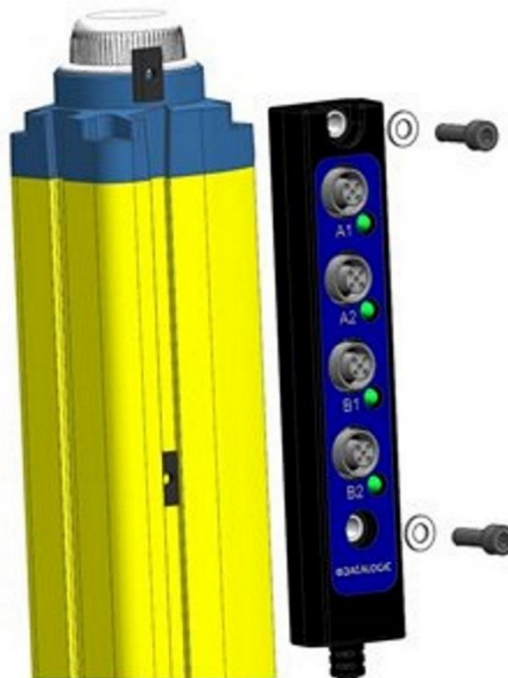


Fig 157 - Connection box



*** For correct operation of LED indicators, it is mandatory to connect identical sensors to the four M12 sockets.**

MODEL	DESCRIPTION	CODE
SG-M-CB	Connection box	95ASE2500
SG-M-CB-KIT	Mounting kit	95ASE2830

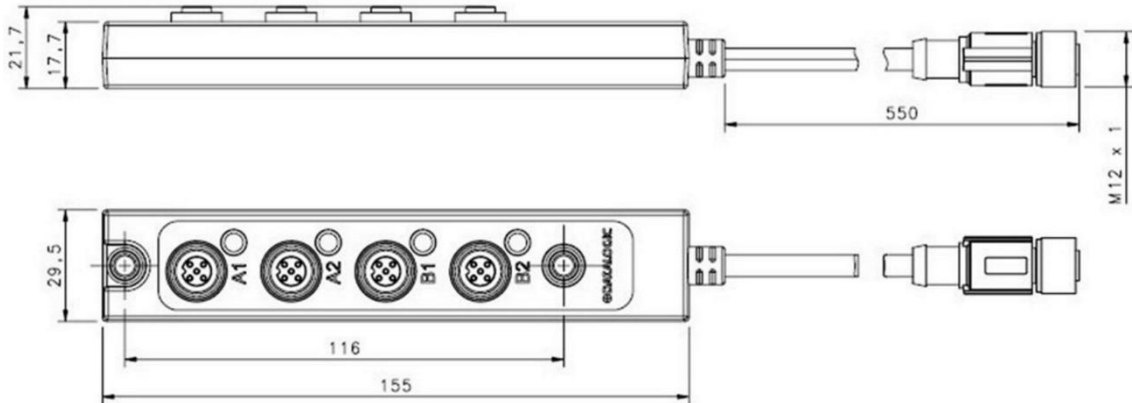


Fig 158 - Dimensions

Power supply & Switching voltage:	+24 Vcc ±20%
Current load max.:	1 A
Insulating resistance:	>1009 Ω
Mechanical protection:	IP 65
Operating temperature:	-10°C...+55°C
Storage Temperature:	-25°C...+70°C
Housing material:	PVC, Black (UL Recognized)
Housing Cable (C2):	PVC, Black (UL Recognized)
Housing Connector (C1):	Plug M12-5P A-Coding Female
Housing Connectors (A1;A2;B1;B2):	Sockets M12-5P A-Coding Female



For each muting system kit is recommended to use same sensors type.

17 GLOSSARY

Detection zone: zone within which a specified test piece will be detected by the ESPE

Safety light curtain: it is an active optoelectronic protective device (AOPD) including an integrated system consisting of one or several emitting elements and one or several receiving elements forming a detection area with a detecting capacity specified by the supplier.

Detection capability (or Resolution): the minimum dimension which an opaque object must have in order to interrupt at least one beams of the ESPE whatever is position across the protected height.

Force-guided contacts: Relay contacts are force guided when they are mechanically connected so that they must switch simultaneously on input change.

If one contact of the series remains “welded”, no other relay contact is able to move.

That relay characteristic allows the use of EDM function.

OSSD (Output signal switching device): part of the ESPE connected to machine control system.

When the sensor is enabled during standard operating conditions, it switches to disabled status.

ESPE (Electro-sensitive protective equipment): assembly of devices and/or components working together to activate the protective disabling function or to detect the presence of something and including at least: a sensor, command/control devices and output signal switching devices.

AOPD (Active optoelectronic protective device): its detection function is achieved thanks to the use of optoelectronic receivers and emitters detecting the optical beams interruptions inside the device caused by an opaque object present inside the specified detecting area.

An active optoelectronic protective device (AOPD) can operate both in emitter-receiver mode and in retro-reflective light curtains.

Protective device: device having the function to protect the operator against possible risks of injury due to the contact with machine potentially-dangerous parts.

Min. installation distance: min. distance necessary to allow machine dangerous moving parts to completely stop before the operator can reach the nearest dangerous point. This distance shall be measured from the middle point of the detecting area to the nearest dangerous point. Factors affecting min. installation distance value are machine stop time, total safety system response time and light curtain resolution.

EDM (External device monitoring): device used by the ESPE to monitor the status of the external command devices.

MPCE (Machine primary control element): electrically-powered element having the direct control of machine regular operation so as to be the last element, in order of time, to operate when the machine has to be enabled or blocked.

Emitter (TX): unit emitting infrared beams, consisting of a set of optically-synchronised LEDs. The emitting unit, combined with the receiving unit (installed in the opposite position), generates an optical “curtain”, i.e. the detecting area.

Restart interlocking device (=RESTART): device preventing machine automatic restart after sensor activation during a dangerous phase of machine operating cycle, after a change of machine operating mode, and after a variation in machine start control devices.

Start interlocking device (= START): device preventing machine automatic start if the ESPE is live or the voltage is disabled and enabled once again.

Interlock: operating state of ESPE in Manual Restart Mode when all beams are free but the Restart command hasn't been received yet.

Normal Operation: operating state of ESPE when all beams are free, OSSD LED lit GREEN in SL light curtain OSSD1 and OSSD2 are switched ON.

N.O.: normally opened

N.C.: normally closed

Machine operator: qualified person allowed to use the machine.

Qualified operator: a person who holds a professional training certificate or having a wide knowledge and experience and who is acknowledged as qualified to install and/or use the product and to carry out periodical test procedures.

Working point: machine position where the material or semifinished product is worked.

Receiver (RX): unit receiving infrared beams, consisting of a set of optically-synchronised phototransistors. The receiving unit, combined with the emitting unit (installed in the opposite position), generates an optical "curtain", i.e. the detecting area.

Crossing hazard: situation under which an operator crossing the area controlled by the safety device and this latter stops and keeps the machine stopped until the hazard is eliminated, and then enters the dangerous area. Now the safety device could not be able to prevent or avoid an unexpected restart of the machine with the operator still present inside the dangerous area.

Risk: probability of occurrence of an injury and severity of the injury itself.

Block condition (=BREAK): status of the light curtain taking place when a suitably-sized opaque object (see XREF-1:313) interrupts one or several light curtain beams.

Under these conditions, OSSD1 and OSS2 light curtain outputs are simultaneously switched OFF within the device response time.

Safe State: operating state of ESPE when at least one beam is intercepted, OSSD LED lit RED in [INLINE-1:44 light curtain. OSSD1 and OSSD2 are both switched OFF.

Response time: maximum time between the occurrence of the event leading to the actuation of the sensing device and the output signal switching devices (OSSD) achieving the OFF-state

Test piece: opaque object having a suitable size and used to test safety light curtain correct operation.

Type (of ESPE): the Electro-sensitive Protective Equipment (ESPE) has different reactions in case of faults or under different environmental conditions.

The classification and definition of the "type" (ex. type 2, type 4, according to EN 61496-1: 2013) defines the minimum requirements needed for ESPE design, manufacturing and testing.

Dangerous area: area representing an immediate or imminent physical hazard for the operator working inside it or who could get in contact with it.

Fig 1 - Safety light curtain 8

Fig 2 - Detection capability..... 12

Fig 3 - Detection Zone..... 13

Fig 4 - Installation distance (vertical positioning)..... 14

Fig 5 - Installation distance (horizontal positioning) 15

Fig 6 - Operating point protection on drilling machines 16

Fig 7 - Bending presses 16

Fig 8 - Paper cutting machines 17

Fig 9 - Milling machines 17

Fig 10 - Wrong light curtain positioning 20

Fig 11 - Correct light curtain positioning..... 20

Fig 12 - Wrong light curtain positioning 20

Fig 13 - Correct light curtain positioning..... 20

Fig 14 - Distance from reflecting surfaces..... 21

Fig 15 - Minimum distance from reflective surface 22

Fig 16 - Distance between homologous devices 23

Fig 17 - ESPE Type4 23

Fig 18 - Recommended positioning for homologous devices..... 24

Fig 19 - Wrong light curtain TX-RX orientations..... 25

Fig 20 - Use of deviating mirrors 25

Fig 21 - Path of the test piece 26

Fig 22 - Fixed brackets mounting procedure..... 27

Fig 23 - Anti-vibration dampers 27

Fig 24 - Light curtain dimensions 28

Fig 25 - Connections 29

Fig 26 - Connection to SE-SR2 Safety Relays..... 33

Fig 27 - OSSDs connection..... 34

Fig 28 - Behaviour of OSSDs..... 35

Fig 29 - Description of the beams 36

Fig 30 - Alignment timings..... 36

Fig 31 - User interface..... 38

Fig 32 - ACM configuration cycle 39

Fig 33 - Safety report 40

Fig 34 - Task Selection 41

Fig 35 - Device Selection and erase configuration 41

Fig 36 - Insert password..... 41

Fig 37 - Restart timings (auto)..... 45

Fig 38 – SG4-...-P Restart timings (manual)..... 46

Fig 39 – SG4-...-N Restart timings (manual) 46

Fig 40 – ACM Configuration: Restart Mode 47

Fig 41 - Test timings 48

Fig 42 - Reset timings 49

Fig 43 – EDM connection..... 50

Fig 44 – EDM connection..... 50

Fig 45 - EDM timings 51

Fig 46 - EDM connection..... 51

Fig 47 - BCM Configuration: EDM Selection 52

Fig 48 - ACM Configuration: EDM Selection 52

Fig 49 - Reduction range..... 53

Fig 50 - BCM Configuration (TX side): Reduction Range 53

Fig 51 - ACM Configuration (RX side) : Reduction Range 53

Fig 52 - L-shaped version with integrated Muting sensors for unidirectional Muting 54

Fig 53 - T-shaped version with integrated Muting sensors for bidirectional Muting 54

Fig 54 - Linear version with external Muting sensors 54

Fig 55 - Typical Muting Application 55

Fig 56 - T Muting timings 56

Fig 57 - Muting T connection 57

Fig 58 - Muting L timings 57

Fig 59 - Muting L connection 58

Fig 60 - BCM Configuration: Muting Direction 58

Fig 61 - ACM Configuration: Muting Direction 58

Fig 62 - Muting timeout 59

Fig 63 - BCM Configuration: Muting timeout 59

Fig 64 - ACM Configuration: Muting timeout 59

Fig 65 - ACM Configuration: Muting Filter 60

Fig 66 - Muting filter disabled 60

Fig 67 - Muting filter enabled 60

Fig 68 - Override connection 63

Fig 69 - Override attention status 63

Fig 70 - Override timings (level trigger) 64

Fig 71 - Override timings (edge trigger) 65

Fig 72 - BCM Configuration: Override Mode 65

Fig 73 - ACM Configuration: Override Mode 65

Fig 74 - Override timeout timings 66

Fig 75 - ACM Configuration: Override Timeout 66

Fig 76 - Override restart connection 67

Fig 77 - Override restart timings (auto) 67

Fig 78 - ACM Configuration: Auto Override Restart Selection 67

Fig 79 - Override restart timings (normal) 68

Fig 80 - ACM Configuration: Normal Override Restart Selection 68

Fig 81 - Startup Override activation and timings 69

Fig 82 - Runtime Override activation and timings 70

Fig 83 - BCM Configuration: Muting/Blanking Selection 71

Fig 84 - ACM Configuration: Muting/Blanking Selection 71

Fig 85 - ACM Configuration: Teach-in operation 72

Fig 86 - ACM Configuration: Blanking configuration 73

Fig 87 - Reduced resolution 74

Fig 88 - Tolerance indication 75

Fig 89 - Position tolerance 75

Fig 90 - Dimension tolerance 75

Fig 91 - BCM Configuration: Fixed Blanking 76

Fig 92 - BCM Configuration: Floating Blanking 76

Fig 93 - ACM configuration 77

Fig 94 - Fixed Blanking 78

Fig 95 - Fixed blanking with increased tolerance 78

Fig 96 - Floating blanking with total surveillance 79

Fig 97 - Floating blanking with partial surveillance 79

Fig 100 - No code 82

Fig 101 - Code 1 and code 2 83

Fig 102 - Normal Operation (RX side): Intercepted beams 83

Fig 103 - Normal Operation (TX side) 83

Fig 104 - BCM Configuration: Coding Selection (TX and RX) 83

Fig 105 - ACM Configuration: Coding Selection..... 83

Fig 106 - Overall dimensions (mm) 95

Fig 107 - Dimensions (mm)..... 96

Fig 108 - Dimensions (mm)..... 97

Fig 109 - Tool for BCM configuration 97

Fig 110 - ST-KSTD 98

Fig 111 - Angled fixing bracket..... 99

Fig 112 - Angled fixing bracket + Orientable support 99

Fig 113 - Angled fixing bracket + Antivibration support 99

Fig 114 - Angled fixing bracket + Orientable support + Antivibration support 99

Fig 115 - ST-KPxMP 100

Fig 116 - Angled fixing bracket..... 101

Fig 117 - Angled fixing bracket + Orientable support 101

Fig 118 - Angled fixing bracket + Antivibration support..... 101

Fig 119 - Angled fixing bracket + Orientable support + Antivibration support 101

Fig 120 - Dimensions (mm)..... 102

Fig 121 - Dimensions (mm)..... 103

Fig 122 - Fixing kit..... 103

Fig 123 - Dimensions (mm)..... 104

Fig 124 - Mounting 104

Fig 125 - Dimensions (mm)..... 105

Fig 126 - Dimensions (mm)..... 106

Fig 127 - SG-DM 150 Dimensions (mm) 106

Fig 128 - Mounting kit 107

Fig 129 - Mounting kit 107

Fig 130 - TX - Pigtail cable..... 110

Fig 131 - RX BLANKING - Pigtail cable 110

Fig 132 - RX MUTING - Pigtail cable 111

Fig 133 – RX MUTING SG4-N - Pigtail cable..... 112

Fig 134 - Dimensions (mm)..... 113

Fig 135 - CS-F1-80-B-0005 Dimensions (mm)..... 113

Fig 136 - Dimensions (mm)..... 114

Fig 137 - Laser pointer..... 114

Fig 138 - Dimensions (mm)..... 115

Fig 139 - Dimensions (mm)..... 115

Fig 140 - Safety relay..... 116

Fig 141 - EDM Relay..... 116

Fig 142 - LampLMS 117

Fig 143 - Lamp LMS-2 117

Fig 144 - LampLMS-3 117

Fig 145 - Module SU-LMS-1A + LMS-1 117

Fig 146 - Module SU-LMS-1B + LMS-1 117

Fig 147 - Dimensions (mm)..... 118

Fig 148 - Mounting bracket 119

Fig 149 - Active/Passive arms L..... 120

Fig 150 - Active/Passive arms T 120

Fig 151 - Light curtain + Active/Passive arms L 121

Fig 152 - Light curtain + Active/Passive arms T 121

Fig 153 - L-MUTING 122

Fig 154 - T-MUTING 123

Fig 155 - X-MUTING 123

Fig 156 - Phase 1.....	124
Fig 157 - Phase 2.....	124
Fig 158 - Phase 3.....	124
Fig 159 - Connection box.....	125
Fig 160 - Dimensions	126



 **DATALOGIC**

www.datalogic.com