

Storage systems for TKX series

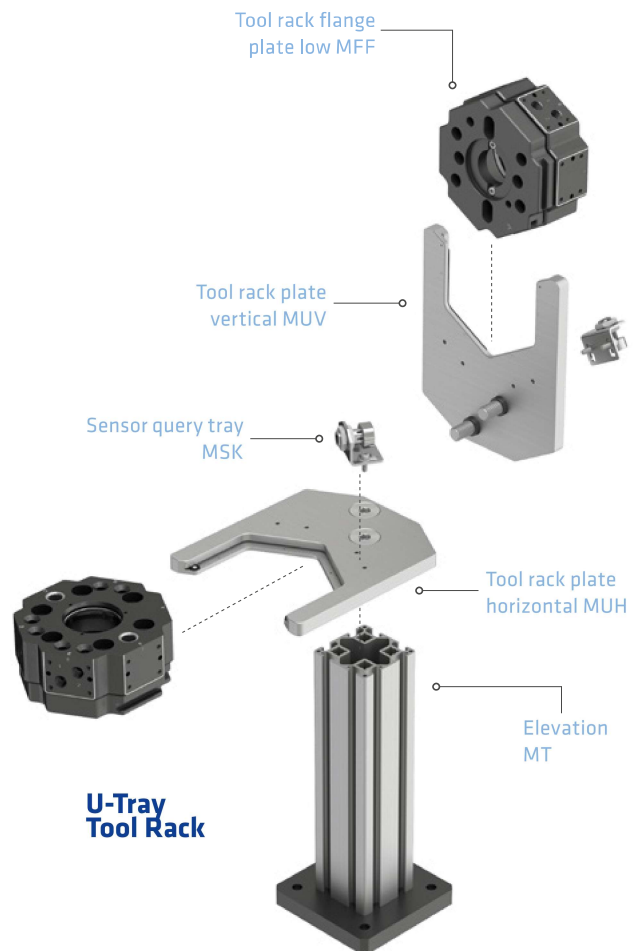
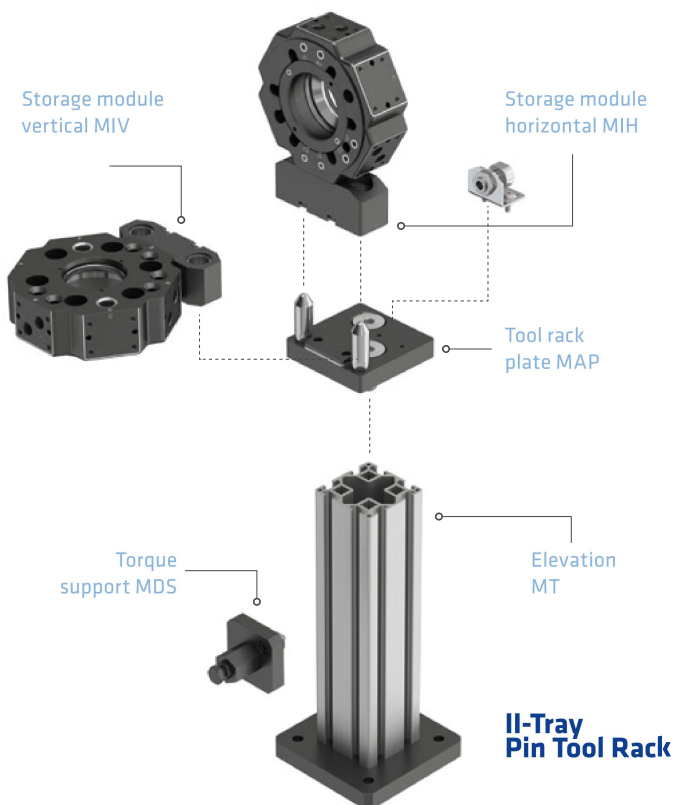
Quick and easy change

Overview

A central element of the comprehensive TKX tool changer modular system are the trays, II-Tray and U-Tray. They complement the TKX ecosystem with the right features for highly flexible, secure and optionally expandable storage solutions. Like all storage stations from IPR, the TKX trays enable the automatic change of tools on the robot in an uncomplicated and process-safe manner.

Application areas

Do you want to store your tools in a process-safe and defined way without spending a lot of time on manual changing processes? Then IPR's storage systems are ideal for your application. Whether assembly, removal or testing application – the automated exchange of tools increases productivity and reduces downtimes of your plant.



Advantages

- Extensive **tray construction kit**
- **Two** principles with two variants each
- **Horizontal or vertical** deposit
- Optional **sensor scanning** in the tray