

TOOL CHANGER

TKX-010



Modularity taken to the limit 3 drives – compatible and interchangeable

The new TKX product family revolutionizes the world of robot automation: Three drive technologies with endless application possibilities. In typical industrial applications as well as for use with light-weight robots and stationary applications, the new tool changers are the best choice. From now on, you can use a single system to equip every robot in your production – interchangeable and fully flexible. The universal tool side can be coupled with each of the three robot sides (pneumatic, electric, manual).

- + Manual, electric and pneumatic robot side
- + Easy teaching due to long guide pins
- + Highest moment load capacity in its class enables maximum speeds
- + Easily exchangeable pneumatic seals for compressed air and vacuum

IPR – Intelligent Peripherals for Robots GmbH

Jakob-Dieffenbacher-Str. 4/2 T +49 7262 9239-100 info@iprworldwide.com
75031 Eppingen F +49 7262 9239-400 en.iprworldwide.com
Germany





Proven functional principle – successful for 30 years and further improved with optimized kinematics for maximum locking force.



Changing with 24 V – no pneumatics necessary, therefore especially suitable for light-weight robots, cobots and environments without compressed air.



Change in the blink of an eye – no power supply necessary, therefore especially suitable for applications with low replacement cycles.



Technical data

	TKP-010	TKM-010	TKT-010
Item no.	150301248	150301382	150301247
Attachment	robot side	robot side	tool side
Type of actuation	pneumatic	manual	-
Recommended payload		10 kg	
Max. tensile/compressive force		6,000 N	
Max. moment Mx, My		225 Nm	
Max. moment Mz		390 Nm	
Repeatability		0.02 mm	
Number of mounting surfaces	5	4	5
Number of pneumatic/ vacuum feedthroughs	-	-	-
Connection type internal bushings		M5	
Weight	0.4 kg	0.46 kg	0.22 kg
Locking/unlocking time	0,4 s	application-dependent	-
Energy required for locking/unlocking	4 bis 8 bar	application-dependent	-
Self-hold	Stainless steel pressure spring	Kinematics	-
Optional sensors	Status query (locked/ unlocked/ presence mold side by means of attachment module)		-
Connection flange		ISO 9409-1-50-4-M6	
Outer diameter (base body)		72 mm	
Height (base body)		31 mm	
Protection class		IP 54	
Max. axis deviation in X/Y direction		+/- 1.5 mm	
Max. offset while locking		0.8 mm	
Coupling way		25.5 mm	
Air consumption per cycle	0.087 l	-	-
Ambient temperature	+5 to +80 °C	+5 to +80 °C	+5 to +80 °C

All data apply at 6 bar nominal operating pressure.

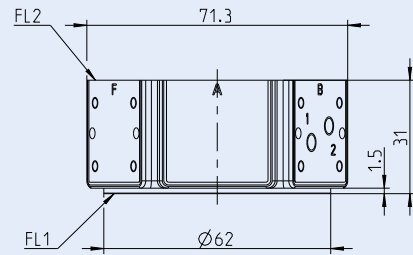
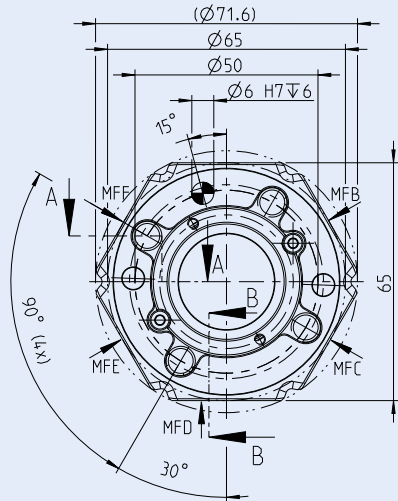
Sensor kits can be ordered separately as an option.

IPR – Intelligent Peripherals for Robots GmbH

Jakob-Dieffenbacher-Str. 4/2 T +49 7262 9239-100 info@iprworldwide.com
75031 Eppingen F +49 7262 9239-400 en.iprworldwide.com
Germany

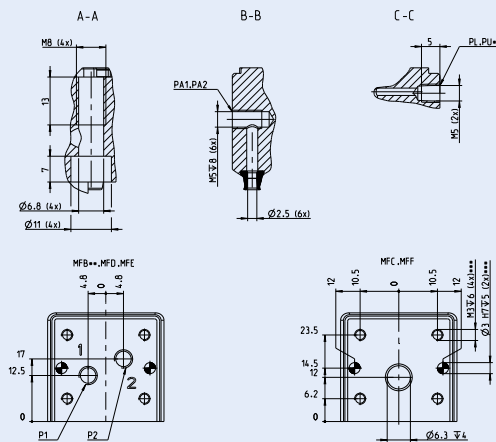


TKT-010 | Tool side



Valid for all variants:

FL1	MOUNTING SURFACE
FL2	DOCKING SURFACE
MFB,MFC-MFF	MOUNTING SURFACE B-F F. OPT. MODULE
P1,P2,P3	AIR CONNECTION 1/2/3 ON MFB**,MFC-MFF
PA1,PA2,PA3	AIR CONNECTION 1/2/3 ALTERNATIVE F. MFB**,MFC-MFF
PL	AIR CONNECTION LOCK
PU	AIR CONNECTION UNLOCK
*	NOT FOR TKE,TKM
**	NOT FOR TKM
***	FOR ALL MOUNTING SURFACES EXCEPT A
	OPTION
S1	SENSOR LOCKING (UNLOCKED)** / TKE ALWAYS INSTALLED
S2	SENSOR LOCKING (LOCKED) / TKE ALWAYS INSTALLED
S3	SENSOR TOOL SIDE PRESENT, ON FL2



For inquiries, please contact:
T +49 7262 9239-100 oder info@iprworldwide.com

IPR - Intelligent Peripherals for Robots GmbH

Jakob-Dieffenbacher-Str. 4/2 T +49 7262 9239-100 info@iprworldwide.com
75031 Eppingen F +49 7262 9239-400 en.iprworldwide.com
Germany